



# ISUZU SCR 480B CUSTOM CREW CAB

GMH MODEL: FSR 12LX (c/s)

ORDERING CODE: 8DB 02 w/V6R

STANDARD GVM 10500 kg

STANDARD GCM 15000 kg

TARE MASS (approx) 3390 kg

## DRIVELINE SPECIFICATION

### ENGINE

Model: ISUZU 6BG1  
Type: 6 cylinder OHV Diesel  
Displacement: 6494cc  
Max power: 120kW @ 2900 rpm  
Max torque: 431 Nm @ 1800 rpm  
Bore & Stroke 105x125mm  
Compression ratio: 17.0:1  
RAC Rating: 41.0

### TRANSMISSION

Model: ISUZU MBG 6R  
Type: 6-speed overdrive

|     |       |
|-----|-------|
| 1st | 6.890 |
| 2nd | 3.918 |
| 3rd | 2.419 |
| 4th | 1.466 |
| 5th | 1.000 |
| 6th | 0.781 |
| Rev | 6.304 |

### AXLE, FRONT

Type: Reverse Elliot I beam  
Capacity: 3400 kg

### AXLE, REAR

Type: Banjo fully floating  
Capacity: 7700 kg  
Ratio: 5.857:1

### BRAKES

Air over hydraulic

### WHEELBASE

4800mm

## CHASSIS RATINGS

GROSS COMBINATION and GROSS VEHICLE MASS RATING (KG):

Estimated kerb mass (chassis and cab with oil, water and full fuel tank).

GVM  
10500

GCM  
15000

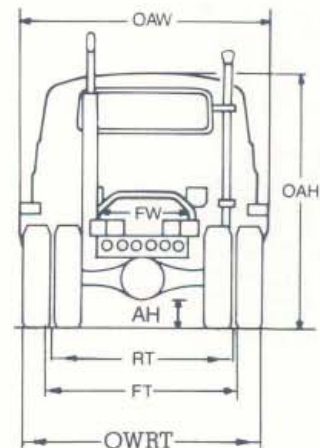
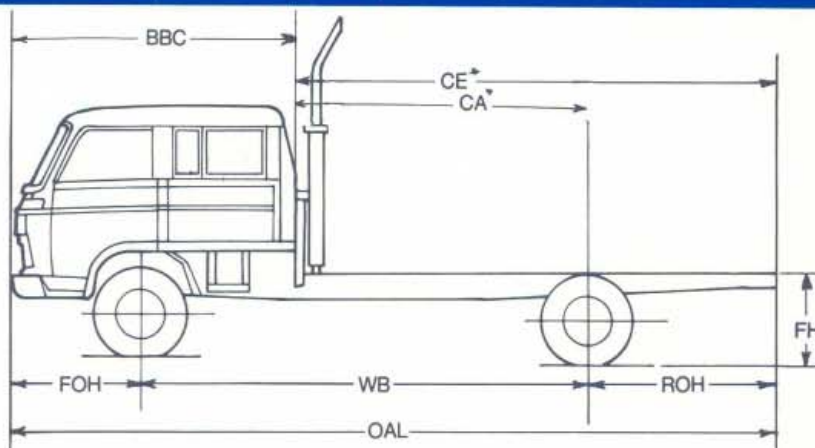
Tyres  
8.25 x 20 12 ply

2085

1400

Total  
3485

## DIMENSIONS



### LENGTHS

|                       |     | (mm) |
|-----------------------|-----|------|
| Overall length        | OAL | 8110 |
| Wheelbase             | WB  | 4800 |
| Cab to axle           | CA* | 3345 |
| Cab to end of frame   | CE* | 5445 |
| Front Overhang        | FOH | 1210 |
| Rear Overhang         | ROH | 2100 |
| Bumper to back of cab | BBC | 2665 |

### HEIGHTS

|                                  |     |      |
|----------------------------------|-----|------|
| Overall height                   | OAH | 2420 |
| Ground to top of frame (at rear) | FH  | 940  |
| Rear axle clearance              | AH  | 270  |

### TURNING CIRCLE

|              |     |      |
|--------------|-----|------|
| Kerb to kerb | (m) | 18.2 |
| Wall to wall |     | 19.2 |

\*CA & CE dimensions are effectively reduced by 300mm with the fitment of vertical exhaust pipe and protector

### WIDTHS

|                          |      |      |
|--------------------------|------|------|
| Overall width            | OAW  | 2170 |
| Frame width              | FW   | 800  |
| Front track              | FT   | 1710 |
| Rear track               | RT   | 1630 |
| Outside width rear tyres | OWRT | 2165 |



**ISUZU**

Reliability is everything.

# ISUZU SCR 480B CUSTOM CREW CAB

## CAB/CHASSIS COMPONENT SPECIFICATIONS

### AXLE, FRONT

Type: Reverse Elliot I beam  
Capacity: 3400 kg

### AXLE, REAR

Type: Banjo fully floating  
Capacity: 7700 kg  
Ratio: 5.857:1  
Final Gear: 343mm diameter Hypoid

### BRAKES, SERVICE

Type: Air over hydraulic dual circuit, front two leading, rear dual two leading. Exhaust brake.  
Total lining area: 3410cm<sup>2</sup>  
Brake drum diameter: 370mm

### BRAKE, PARKING

Type: Mechanical expanding at rear of transmission.

### CABIN EXTERIOR

All steel crew cab, hydraulic tilt. Laminated windshield. 2 speed windshield wiper/washer with intermittent setting. West-coast type rear view mirrors. Dual round sealed beam headlamps. Fog lamps. Vertical air intake stack. General hand tools and 7000kg capacity jack. Spare wheel and tyre.

### INTERIOR

Custom cab interior. Adjustable driver's seat. Tilt telescopic adjustable steering wheel. Adjustable roof vents. Rear side vent windows. Passenger bucket seat and second passenger centre seat which lifts up for coolant and oil check. AM Radio. Heater/demister with 4 speed fan. Driver and passenger sunvisors. Suspended roof lining.

### INSTRUMENTATION

Speedometer and odometer. Tachometer. GAUGES for engine temperature, brake air pressure and fuel level. INDICATOR LAMPS for turn indicators, headlamp high beam, exhaust brake on and park brake on. WARNING LAMPS for low brake fluid, low brake air pressure, battery charge, clogged air filter, oil pressure. Left side combination switch for exhaust brake & two speed wipers with intermittent setting. Hazard warning switch. Fog lamp switch. Right combination switch for headlamps, turn signal and headlamp dip. Key operation auto engine stop.

### CLUTCH

Type: Hydraulic control. Dry single plate with cushioning springs.  
Size: 325mm diameter

### ENGINE SPECIFICATION

Type: 6 cylinder OHV diesel  
Displacement: 6494cc  
Max. Power: 120 kW @ 2900 rpm  
Max torque: 431 Nm @ 1800 rpm  
Bore and Stroke: 105 x 125 mm  
Compression ratio: 17.0:1  
RAC rating: 41

YOUR GMH ISUZU DEALER:

### LUBRICATION

Pressure feed with full flow paper element filter, oil cooler.  
Capacity 13.5 litre including filter.

### COOLING

Heavy duty radiator. Size: 622 x 559 x 53mm,  
Frontal area: 0.348m<sup>2</sup>

### AIR CLEANER

Paper element, Donaldson 11" cartridge type. Long vertical air intake stack.

### FUEL SYSTEM

Fuel injection pump: in-line plunger Bosch 'A' with mechanical governor.  
Fuel tank capacity: 200 litre. Pre-fuel filter.

### ELECTRICAL SYSTEMS

Batteries: 2 x 12V-53A/H  
Alternator: 24V-25A  
Starter: 24V-4.5KW

### FRAME

Type: Ladder type channel section  
Side member dimensions: 225 x 70 x 6mm.  
Frame reinforcement at: Cab back-203 x 64 x 4.5mm angle section.  
Rear axle-213 x 64 x 3.2mm channel section.

### STEERING

Type: Power assisted recirculating ball.  
Gear ratio: 22.4:1

### SUSPENSION, FRONT

Type: Semi-elliptical alloy steel leaf springs  
Size: Length x Width x Thickness (mm) - no. of leaves  
1200 x 70 x 10-8  
Shock absorbers: Hydraulic double acting telescopic.

### SUSPENSION, REAR

Type: Semi-elliptical alloy steel leaf springs  
Size: Length x width x thickness (mm) - no. of leaves.  
Main: 1300 x 70 x 11-8  
Auxiliary: 850 x 70 x 11-8

### TRANSMISSION

Type: Isuzu 6 speed overdrive  
Gear ratios (to 1)  
1st 6.890 2nd 3.918 3rd 2.419 4th 1.466  
5th 1.000 6th 0.781 Rev 6.304

### TYRES AND WHEELS

Tyre size: 8.25 x 20 - 12 ply.  
Wheel type and size 6.50T x 20, 8 stud disc wheels.

### GMH 12/20 WARRANTY

Every Isuzu is covered by the GMH warranty which covers the vehicle for the first 12 months or 20,000 kilometres.

Major engine components and driveline components have additional extended warranty. Please consult your GMH/ISUZU dealer for complete and accurate details.

PLEASE NOTE: As the policy of General Motors-Holden's is one of continual product improvement, all specifications and equipment are subject to change without notice. Bodies illustrated are not standard.

No GMH Dealer or other person is authorised or permitted to give or make any statement or undertaking in relation to the quality performance characteristics descriptions or fitness for any purpose of any GMH product or in connection with the supply of any GMH product, which is at variance with any written statement or undertaking on any of these subjects given or made by General Motors-Holden's Limited or General Motors-Holden's Sales Pty. Ltd. in its published sales literature, and neither company accepts any liability for any such unauthorised action.

General Motors-Holden's Limited and General Motors-Holden's Sales Pty. Ltd. have franchised dealers in many parts of Australia for the sale of service parts and the provision of service to owners of GMH's products. Every endeavour is made to ensure that such dealers carry adequate stocks of service parts, and are equipped to provide satisfactory service, but neither General Motors-Holden's Ltd. nor General Motors-Holden's Sales Pty. Ltd. makes any promise, other than that contained in the New Vehicle Warranty given by General Motors-Holden's Sales Pty. Ltd., that such parts or service facilities will be available, or available at any specific location or any particular time.

General Motors-Holden's Sales Pty. Ltd.



# Reliability is everything.