



# ISUZU SBR 422 CUSTOM

with Air/Hydraulic brakes

STANDARD GVM 8000 kg

STANDARD GCM 15000 kg

GMH MODEL: FSR 11H

ORDERING CODE: 8DC02w/A9V KERB MASS 2945 kg (Estimated)

## DRIVELINE SPECIFICATION

### ENGINE

Model: ISUZU 6BD1  
Type: 6 cylinder OHV Diesel  
Displacement: 5785cc  
Max power: 100kW @ 3200 rpm  
Max torque: 353 Nm @ 2000 rpm  
Bore & Stroke 102x118mm  
Compression ratio: 17.0:1  
RAC Rating: 38.7

### TRANSMISSION

Model: ISUZU MBG 5A  
Type: 5-speed direct drive  
Gear ratios (to 1)

15.6	1st 6.378
27.5	2nd 3.627
44.5	3rd 2.239
68.6	4th 1.452
99.6	5th 1.000
17.1	Rev 5.835

### AXLE, FRONT

Type: Reverse Elliot I beam  
Capacity: 3400 kg

### AXLE, REAR

Type: Banjo fully floating  
Capacity: 7700 kg  
Ratio: 4.750:1

### BRAKES

Air over hydraulic

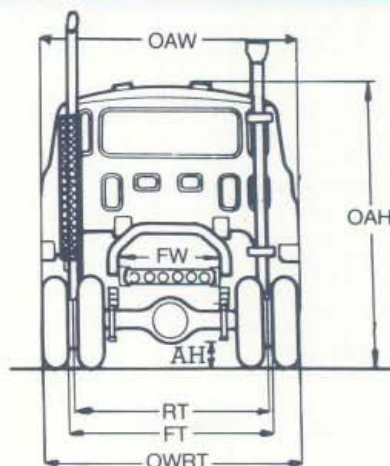
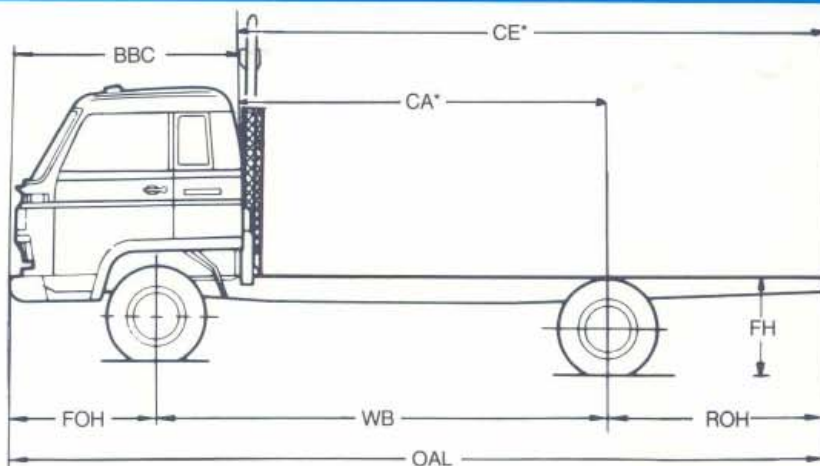
### WHEELBASE

4200mm

## CHASSIS RATINGS

GROSS COMBINATION and GROSS VEHICLE MASS RATING (KG):			Estimated kerb mass (chassis and cab with oil, water and full fuel tank), (kg).		
<b>GVM</b> 8000	<b>GCM</b> 15000	<b>Tyres</b> 8.25 x 16:12 ply	<b>Front</b> 1865	<b>Rear</b> 1080	<b>Total</b> 2945
9000		8.25R x 16-14 ply			

## DIMENSIONS



### LENGTHS:

		(mm)
Overall length	OAL	7160
Wheelbase	WB	4200
Cab to axle	CA*	3500
Cab to end of frame	CE*	5250
Front Overhang	FOH	1210
Rear Overhang	ROH	1750
Bumper to back of cab	BBC	1910

### HEIGHTS

Overall height	OAH	2360
Ground to top of frame	FH	880
Rear axle clearance	AH	210

### TURNING CIRCLE

	(m)
Kerb to kerb	14.2
Wall to wall	15.8

\*CA & CE dimensions are effectively reduced by 300mm with the fitment of vertical exhaust pipe and protector

### WIDTHS

Overall width	OAW	2170
Frame width	FW	800
Front track	FT	1700
Rear track	RT	1610
Outside width rear tyres	OWRT	2100



# ISUZU

Reliability is everything.

# ISUZU SBR 422 CUSTOM

## CAB/CHASSIS COMPONENT SPECIFICATIONS

### AXLE, FRONT

Type: Reverse Elliot I beam  
Capacity: 3400 kg

### AXLE, REAR

Type: Banjo fully floating  
Capacity: 7700 kg  
Ratio: 4.750:1  
Final Gear: 343 mm diameter, single reduction, Hypoid

### BRAKES, SERVICE

Type: Air over hydraulic. Exhaust brake.  
Total lining area: 3082cm<sup>2</sup>

### BRAKE, PARKING

Type: Mechanical expanding at rear of transmission.

### CABIN EXTERIOR

All steel tilt cab with laminated windshield. 2 speed windshield wiper/washer with intermittent setting. West-coast type rear view mirrors. Dual round sealed beam headlamps. Fog lamps. Vertical air intake stack. General hand tools and 7000kg capacity jack. Spare wheel and tyre.

### INTERIOR

Custom cab interior. Adjustable driver's suspension seat with adjustable lumbar support. Tilt telescopic adjustable steering wheel. Adjustable roof vents. Rear side vent windows. Passenger bucket seat and second passenger centre seat which lifts up for coolant and oil check. AM Radio. Heater/demister with 4 speed fan. Driver and passenger sunvisors. Suspended roof lining.

### INSTRUMENTATION

Speedometer and odometer. Tachometer. GAUGES for engine temperature, brake air pressure and fuel level. INDICATOR LAMPS for turn indicators, headlamp high beam, exhaust brake on and park brake on. WARNING LAMPS for low brake fluid, low brake air pressure, battery charge, clogged air filter, oil pressure. Left side combination switch for exhaust brake & two speed wipers with intermittent setting. Hazard warning switch. Fog lamp switch. Right combination switch for headlamps, turn signal and headlamp dip. Key operation auto engine stop.

### CLUTCH

Type: Hydraulic control with helper spring, dry single plate with cushioning springs.  
Size: 325mm diameter.

### ENGINE SPECIFICATION

Type: 6 cylinder OHV diesel, direct injection  
Displacement: 5785cc  
Max. Power: 100 kW @ 3200 rpm  
Max torque: 353 Nm @ 2000 rpm  
Bore and Stroke: 102 x 118 mm  
Compression ratio: 17.0:1  
RAC: rating: 38.7

YOUR GMH ISUZU DEALER:

### LUBRICATION

Pressure feed with full flow paper element oil cooler. Capacity 14.5 litres including filter.

### COOLING

Fan type: 6 blade plastic  
Size: 475mm diameter  
Radiator size: 566 x 523 x 71 mm  
Total frontal area: 0.296m<sup>2</sup>

### AIR CLEANER

Paper element, Donaldson 8" vertical air intake stack.

### FUEL SYSTEM

Fuel injection pump: in-line plunger Bosch 'A' with mechanical governor.  
Fuel tank capacity: 200 litre.

### ELECTRICAL SYSTEM

Batteries: 2 x 12V-53AH  
Alternator: 24V-25A  
Starter: 24V-4.5kW

### FRAME

Type: Ladder type channel section  
Side member dimensions: 225 x 70 x 6mm. Tapering to 125mm at rear

### STEERING

Type: Recirculating ball, heavy duty. Tilt/telescopic steering wheel.  
Gear ratio: 29.7:1

### SUSPENSION, FRONT

Type: Semi-elliptical alloy steel leaf springs  
Length x width (mm)—no of leaves  
Size: 1200 x 70 - 8

Shock absorbers: Hydraulic double acting telescopic

### SUSPENSION, REAR

Type: Semi-elliptical alloy steel leaf springs  
Size: length x width (mm)—no of leaves  
Main: 1300 x 70-8  
Auxiliary: 850 x 70 - 7

### TRANSMISSION

Type: Isuzu 5 speed direct drive  
Gear ratios (to 1)  
1st 6.378 2nd 3.627 3rd 2.239 4th 1.452  
5th 1.000 Rev 5.835

### TYRES AND WHEELS

Tyre size: 8.25 x 16 — 12ply. Optional 8.25R x 16 — 14ply.  
Wheel type and size 6.00 GS-16, 6 stud.

### GMH 12/20 WARRANTY

Every Isuzu is covered by the GMH warranty which covers the vehicle for the first 12 months or 20,000 kilometres.

Major engine components and driveline components have additional extended warranty. Please consult your GMH/ISUZU dealer for complete and accurate details.

PLEASE NOTE: As the policy of General Motors-Holden's is one of continual product improvement, all specifications and equipment are subject to change without notice. Bodies illustrated are not standard.

No GMH Dealer or other person is authorised or permitted to give or make any statement or undertaking in relation to the quality performance characteristics descriptions or fitness for any purpose of any GMH product or in connection with the supply of any GMH product, which is at variance with any written statement or undertaking on any of these subjects given or made by General Motors-Holden's Limited or General Motors-Holden's Sales Pty. Ltd. in its published sales literature, and neither company accepts any liability for any such unauthorised action.

General Motors-Holden's Limited and General Motors-Holden's Sales Pty. Ltd. have franchised dealers in many parts of Australia for the sale of service parts and the provision of service to owners of GMH's products. Every endeavour is made to ensure that such dealers carry adequate stocks of service parts, and are equipped to provide satisfactory service, but neither General Motors-Holden's Ltd. nor General Motors-Holden's Sales Pty. Ltd. makes any promise, other than that contained in the New Vehicle Warranty given by General Motors-Holden's Sales Pty. Ltd., that such parts or service facilities will be available, or available at any specific location or any particular time.

General Motors Holden's Sales Pty. Ltd.



# Reliability is everything.