

BEDFORD BY ISUZU

KS11D

WITH 2.4 YARD TIPPING BODY

KS11D



GVM 12767 lbs. (5791 kg) GCM 15650 lbs. (7099 kg) WITH 7.00 x 16 — 10 TYRES

ENGINE:

Model: Isuzu 4BB 1 diesel engine.
Type: 4-cycle overhead valve, in line, direct injection.
Number of cylinders: 4.
Bore and stroke: 4.02 ins. (102 mm) x 4.33 ins. (110 mm).
Displacement: 219.4 cu. ins. (3595 cm³).
Max. net horsepower: 100 (75 kW) @ 3400 rpm.
Max. net torque: 173.6 lbs./ft. (235 Nm) @ 2000 rpm.
Compression ratio: 17.5:1.
RAC rating: 23.84.

ENGINE LUBRICATION:

Type: Pressure feed with full flow paper element and full flow centrifugal oil filter. Oil cooler.
Capacity: 14.1 Imp. pts. (8 litres).

FUEL SYSTEM:

Injection pump: Reformed Bosch in-line with mechanical governor.
Fuel tank capacity: 18.7 Imp. gals. (85 litres).

AIR CLEANER:

Oil bath.

AXLE, FRONT:

Capacity: 4409 lbs. (2000 kg).
Type: Reverse Elliott 'I' Beam.

AXLE, REAR:

Capacity: 11023 lbs. (5000 kg).
Type: Single reduction, hypoid, full floating.
Axle ratio: 6.14:1.

BRAKES, SERVICE:

Type: Hydraulic with vacuum assist. Front and rear leading.
Total lining area: 272.8 sq. ins. (1760 cm²).

BRAKE, HAND:

Type: Mechanical expanding type at rear of transmission.

CLUTCH:

Type: Hydraulic operated, dry single plate with cushioning springs.

Size, outside diameter: 10.2 ins. (260 mm).
Total frictional area: 94.2 sq. ins. (608 cm²).

COOLING SYSTEM:

Radiator: Pressure type, tube and corrugated fin.

DRIVE LINE:

Type: Tubular shaft, needle bearing universal joint.

ELECTRIC SYSTEM:

Battery: 2 x 12 volt, 65 amp. hr. each, Neg. earth.
Alternator: 24 volt, 15 amp.
Starter: 24 volt.

FINISH:

Cab and dump body finished in Marine Blue. Seats and door trim in brown.

FRAME:

Ladder type with single channel section side members and 5 cross members.
Width: 29.13 ins. (740 mm).
Dimensions: 6.7 ins. (170 mm) x 2.8 ins. (70 mm) x 0.18 ins. (4.5 mm).

SPRINGS:

Type: Semi-elliptic, alloy steel leaf springs.
Size: Length x width — No. of leaves.
Front: 44.9 ins. (1140 mm) x 2.4 ins. (60 mm)—10.
Rear: 51.5 ins. (1300 mm) x 2.8 ins. (70 mm)—7.
Rear auxiliary: 33.5 ins. (850 mm) x 2.8 ins. (70 mm)—7.
Shock absorbers: Front and rear, double acting hydraulic telescopic.

STEERING:

Type: Recirculating ball.
Ratio: 22.8:1.
Wheel diameter: 17.7 ins. (450 mm).

TRANSMISSION:

Type: Model MSA5, 5-speed overdrive, column mounted, synchromesh on 1st, 2nd, 3rd, 4th and 5th.
Ratios (to 1):

1st	2nd	3rd	4th	5th	Reverse
5.765	2.977	1.732	Direct	0.767	5.909

WHEELS AND TYRES:

Tyres: 7.00 x 16—10 ply. Front Hwy; Rear Lugs.
Wheels and rims: 7/5.50F x 15, 6 stud, 4.5 offset.
Spare wheel, tyre and ramp loading type carrier.

STANDARD EQUIPMENT:

All steel cab with safety glass windows. Bucket type adjustable driver's seat. Ventilation system. Laminated windscreen. Two-speed windscreen wipers. Windscreen washers. Kilometre speedometer/odometer. Oil pressure, charging and parking brake warning lights. High beam and turn signal indicator lights. Fuel and water temperature gauges. Reversing lamps. General hand tools. Hydraulic jack and tools. One towing hook each at front and rear. Cradle loading type spare carrier, wheel and tyre. Frame mounted tool box. Ash tray, glove compartment, parcel shelf. Internal and external rear vision mirrors. Fog lamps. Power take-off. Fuel shut-off device. Radio. Heater/demister, reversing warning buzzer.

DUMP BODY:

Type: All steel dropside tipping body with heavy mesh protection screen.
Capacity: Approx. 2.4 cu. yards (1.9 cu. metres).
Tipping angle: 51° with single acting hydraulic ram.
Interior dimensions: Length — 118.1 ins. (3000 mm) x Width — 68.9 ins. (1750 mm) x Height — 14.6 ins. (370 mm).

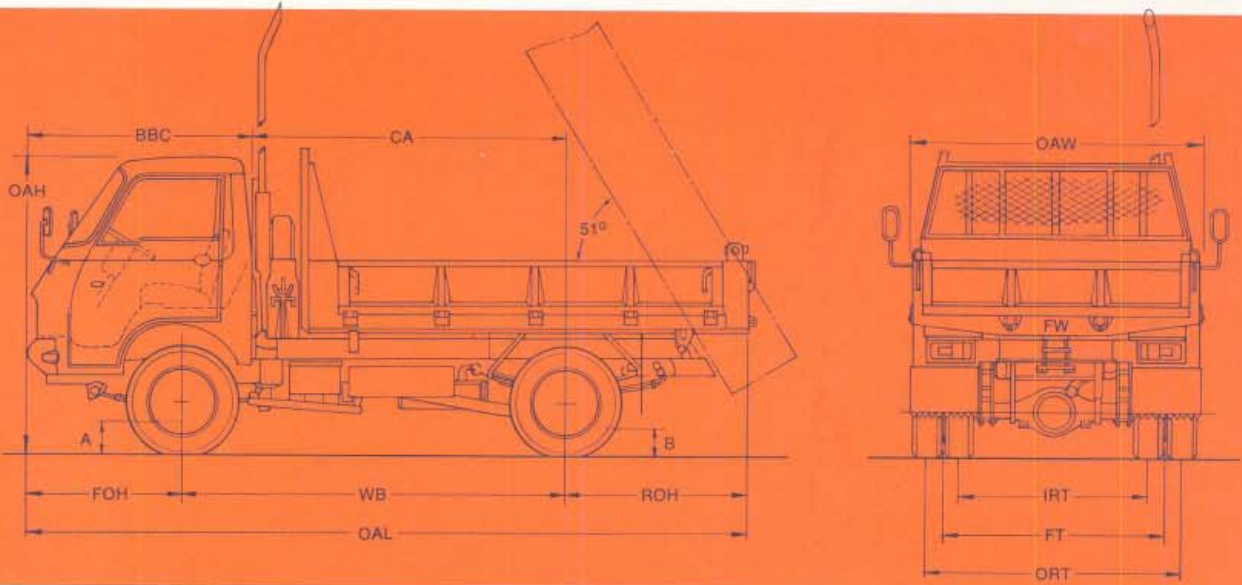
GMH 12/20 WARRANTY:

Every Bedford by Isuzu is protected by the GMH Warranty which covers your vehicle for the first 12 months or 20,000 kilometres.

All illustrations and specifications contained in this sheet are based on the latest product information available at time of publication approval. The right is reserved to make changes at any time, without notice, in prices, colours, materials, equipment, specifications and models and to discontinue models. Check with your Bedford by Isuzu Dealer for complete information.



GMH Truck Division
General Motors-Holden's Sales Pty. Ltd.
Copyright issued June, 1976.
Key No. E117

KS11D**BEDFORD BY
ISUZU****KS11D****WITH 2.4 YARD TIPPING BODY
DIMENSIONS/CHASSIS WEIGHTS****LENGTHS:**

		inches	(mm)
Wheelbase	WB	102.40	(2600)
Front overhang	FOH	40.40	(1025)
Rear overhang	ROH	48.80	(1240)
Bumper — back of cab	BBC	58.27	(1480)
Cab — axle	CA	84.49	(2145)
Overall length	OAL	193.90	(4925)

WIDTHS:

		inches	(mm)
Frame width	FW	29.13	(740)
Front track	FT	59.64	(1515)
Inside rear track	IRT	50.00	(1270)
Outside rear track	ORT	66.93	(1700)
Overall width	OAW	76.77	(1950)

HEIGHTS:

		inches	(mm)
Overall height*	OAH	84.65	(2150)
Front axle clearance	A	7.70	(195)
Rear axle clearance	B	7.70	(195)

* To top of cab protector.

TURNING CIRCLE:

	feet	(metres)
Kerb to kerb	34.8	(10.6)
Wall to wall	38.7	(11.8)

WEIGHT DISTRIBUTION:

	Front Axle	Rear Axle	Totals
Chassis			
Share of Body & Payload			
Options			
Totals			
Manufacturer's Rating			
Legal Allowances			
Manufacturer's G.V.M. Rating			
Actual G.V.M.			

ESTIMATED KERB WEIGHTS, CHASSIS AND CAB: (with oil, water and full fuel tank) in lbs. & (kg).

Nominal capacity	GVM	GCM	Tyres	Fully built up unit
2.4 cubic yards	12767 (5791)	15650 (7099)	7.00 x 16—10	2650 kg (5843 lbs.)