



# ISUZU NPR 59L (REPLACES KT26)

GMH MODEL: NPR 59L-5J  
ORDERING CODE: 8DS 01

STANDARD GVM 5600 kg  
STANDARD GCM 7300 kg  
TARE MASS 2050 kg (est.)

## DRIVELINE SPECIFICATION

### ENGINE

Model: ISUZU 4BD1.  
Type: Diesel, 4 cylinder in-line  
direct injection  
Displacement: 3856cc  
Max power: 66kW @ 3200 rpm  
Max torque: 245 Nm @ 1900 rpm  
Bore & Stroke 102 x 118mm  
Compression ratio: 17.0:1  
RAC Rating: 25.8

### TRANSMISSION

Model: ISUZU MSA5P  
Type: 5 speed overdrive  
Gear ratios (to 1)  
1st 5.788  
2nd 2.998  
3rd 1.735  
4th 1.000  
5th 0.776  
Rev 5.798

### AXLE, FRONT

Type: Reverse Elliot I beam  
Capacity: 2400 kg

### AXLE, REAR

Type: Banjo fully floating  
Capacity: 4000 kg  
Ratio: 5.857:1

### BRAKES

Vacuum Hydraulic

### WHEELBASE

3365mm

## CHASSIS RATINGS

GROSS COMBINATION and GROSS VEHICLE MASS RATING (KG):

Estimated kerb mass (chassis and cab with oil, water and full fuel tank). (kg)

GVM  
5600

GCM  
7300

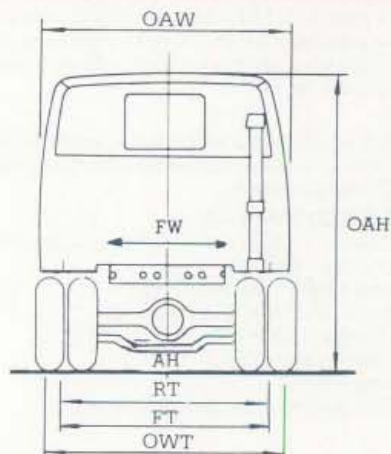
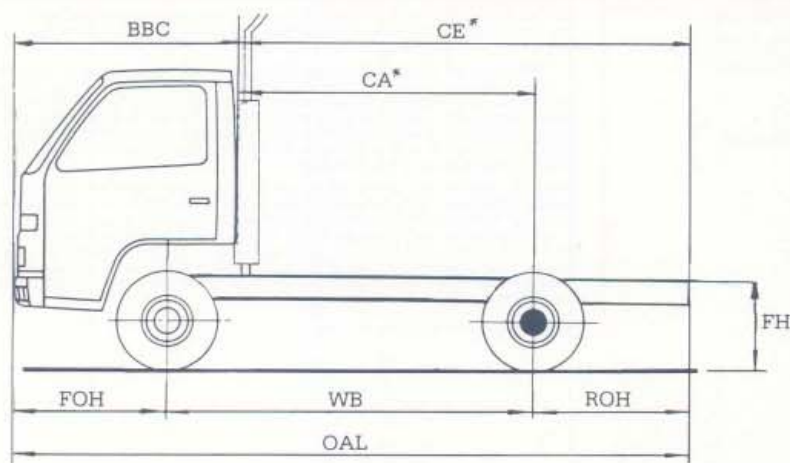
Tyres  
7.50 x 16 -8 ply

Front  
1350

Rear  
700

Total  
2050

## DIMENSIONS



### LENGTHS

		(mm)
Overall length	OAL	5955
Wheelbase	WB	3365
Cab to axle	CA*	2860
Cab to end of frame	CE*	4365
Front Overhang	FOH	1085
Rear Overhang	ROH	1505
Bumper to back of cab	BBC	1605

\*CA & CE dimensions are effectively reduced by 200mm with fitment of vertical exhaust.

### WIDTHS

Overall width	OAW	1995
Frame width	FW	750
Front track	FT	1665
Rear track	RT	1485
Outside width rear tyres	OWRT	1915

### HEIGHTS

Overall height	OAH	2110
Ground to top of frame	FH	780
Front Axle clearance	AH	200

### TURNING CIRCLE

Kerb to kerb	(m)	12.2
Wall to wall		13.6



**ISUZU**  
Reliability is everything.



# ISUZU NPR 59L (REPLACES KT26)

## CAB/CHASSIS COMPONENT SPECIFICATIONS

### AXLE, FRONT

Type: Reverse Elliot I beam  
Capacity: 2400 kg

### AXLE, REAR

Type: Banjo fully floating  
Capacity: 4000 kg  
Ratio: 5.857:1  
Final Gear: 292mm hypoid

### BRAKES, SERVICE

Type: Hydraulic, dual circuit, front two leading, rear dual leading. Exhaust brake.  
Total lining area: 1752cm<sup>2</sup>

### BRAKE, PARKING

Type: Mechanical, at rear of transmission.

### CABIN EXTERIOR

Aerodynamic all steel tilt-type wide cab, laminated windshield. 2 speed windshield wiper/washers. Double-action door hinges. Large non-skid entry steps to each side. Front quarter-vent windows. Four sealed beam rectangular headlamps. Energy absorbing polypropylene front bumper. Large exterior mirrors. General hand tools, toolbox and 5000 kg capacity jack. 2-way roof ventilators.

### INTERIOR

Tilt and telescopic adjustable steering wheel. Adjustable and reclining driver's bucket seat. 2 seater passenger seat which lifts for oil and coolant check. Full length glove compartment. Window washer tank located in passenger door. Front side quarter vent windows. AM Radio. Centre console. Heater demister with 3 speed fan. Driver and passenger sunvisors. Padded roof lining. Easy access pull down fuse cover. Two way roof vents.

### INSTRUMENTATION

Speedometer with odometer and trip meter. GAUGES for fuel level and engine temperature. INDICATOR LIGHTS for turn signal, park brake on and headlamp high beam. WARNING LAMP for battery charge, brake failure, glow plug, oil pressure. Left side combination switch for exhaust, brake, windscreen wash/2 speed windscreen wipers. Right side combination switch for turn indicators and headlamps. Foglamp switch.

### CLUTCH

Type: Dry, single plate with diaphragm spring, hydraulic control and automatic adjusting clutch cylinder  
Size: 275mm diameter

### ENGINE SPECIFICATIONS

Type: Diesel 4 cylinder in-line direct injection  
Displacement: 3856cc  
Max. power: 66kW @ 3200 rpm  
Max torque: 245 Nm @ 1900 rpm  
Bore & Stroke: 102 x 118 mm  
Compression ratio: 17.0:1  
RAC Rating: 25.8  
Automatic engine stop device (fuel cut).

YOUR GMH ISUZU DEALER:

### LUBRICATION

Pressure feed with full flow paper element oil filter.  
Capacity 8.0 litres with filter.

### COOLING

400mm plastic fan.

### AIR CLEANER

Type: Paper element, (cartridge type) mounted high on chassis  
Vertical air intake behind cab

### FUEL SYSTEM

Fuel Injection pump: In-line plunger Bosch 'A' type with all speed mechanical governor.  
Fuel/water sedimentor.  
Fuel tank capacity: 90 litres.

### ELECTRICAL SYSTEMS

Batteries: 2 x 12V—60Amp/Hour  
Alternator: 24V—20A  
Starter: 24V—3.5 kW

### FRAME

Type: Ladder type channel section  
Side member dimensions: 173 x 65 x 6mm.

### STEERING

Type: Recirculating ball. Tilt and telescopic adjustment.  
Steering wheel diameter 430mm.  
Gear ratio: 29.0 ~ 34.5:1

### SUSPENSION, FRONT

Type: Semi-elliptical alloy steel leaf springs  
Size: Length x Width (mm) — No. of leaves  
1140 x 70 — 6  
Shock absorbers: Hydraulic double acting telescopic.

### SUSPENSION, REAR

Type: Semi-elliptical alloy steel leaf springs  
Size: Length x Width (mm) — No. of leaves.  
Main: 1250 x 70 — 5  
Auxiliary: 850 x 70 — 5  
Shock Absorbers: Hydraulic double acting telescopic.

### TRANSMISSION

Type: 5 speed overdrive  
Gear ratios (to 1)  
1st 5.788 2nd 2.998 3rd 1.735 4th 1.000  
5th 0.776 Rev 5.798

### TYRES AND WHEELS

Tyre size: 750 x 16 — 8 ply.  
Wheel type and size 6.00 GS x 16.

### GMH 12/20 WARRANTY

Every Isuzu is covered by the GMH warranty which covers the vehicle for the first 12 months or 20,000 kilometres.

Major engine components and driveline components have additional extended warranty. Please consult your GMH/ISUZU dealer for complete and accurate details.

PLEASE NOTE: As the policy of General Motors-Holden's is one of continual product improvement, all specifications and equipment are subject to change without notice. Bodies illustrated are not standard.

No GMH Dealer or other person is authorised or permitted to give or make any statement or undertaking in relation to the quality performance characteristics descriptions or fitness for any purpose of any GMH product or in connection with the supply of any GMH product, which is at variance with any written statement assertion or undertaking on any of these subjects given or made by General Motors-Holden's Limited or General Motors-Holden's Sales Pty. Ltd. in its published sales literature, and neither company accepts any liability for any such unauthorised action.

General Motors-Holden's Limited and General Motors-Holden's Sales Pty. Ltd. have franchised dealers in many parts of Australia for the sale of service parts and the provision of service to owners of GMH's products. Every endeavour is made to ensure that such dealers carry adequate stocks of service parts, and are equipped to provide satisfactory service, but neither General Motors-Holden's Ltd. nor General Motors-Holden's Sales Pty. Ltd. makes any promise, other than that contained in the New Vehicle Warranty given by General Motors-Holden's Sales Pty. Ltd., that such parts or service facilities will be available, or available at any specific location or any particular time.

General Motors-Holden's Sales Pty. Ltd.



# Reliability is everything.