



ISUZU NPR

400
TURBO

Model Designation: NPR 59P-5LJ

Ordering Code: 8CT02-231

CHASSIS CAPACITY INFORMATION

Max. GVM:	7000 kg	Max. GCM:	9000 kg
Kerb Mass (est.):	2260 kg	Max. Gross Trailer Mass:	2000 kg
Avail. for body & load	4740 kg		
Max Geared Speed:	136 km/h	Max. Rec Body Width:	2280 mm
		Nominal Body Length:	5000 mm

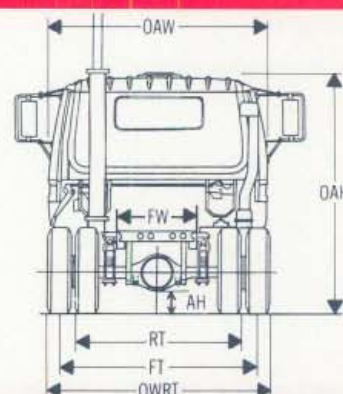
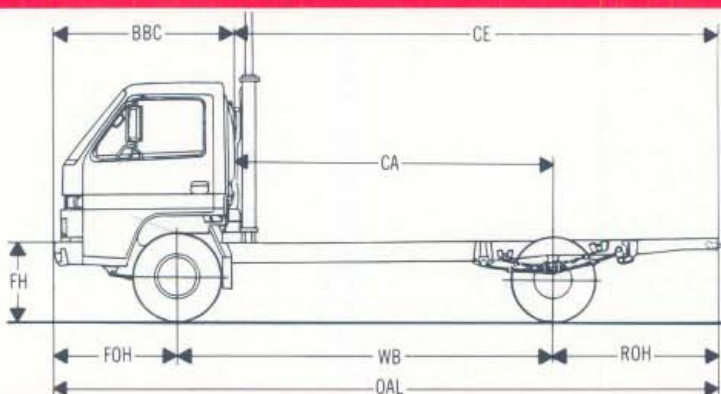
DRIVELINE SPECIFICATION

ENGINE	TRANSMISSION	AXLES	BRAKES
Model: ISUZU 4BD1-T Type: Turbo-charged Diesel OHV4 cylinder in-line direct injection Displacement: 3856 cc Max power: 79kW @ 3000 rpm Max torque: 306Nm @ 1800 rpm Bore & stroke 102 x 118mm Compression ratio: 17.0:1 RAC rating: 25	Model: ISUZU MSA5S dual range Type: 5-speed overdrive Gear ratios (to 1) 1st 4.987 2nd 2.870 3rd 1.684 4th 1.000 5th 0.728 Rev 4.777 Supershift gear ratios (to 1) Economy 0.762 Power 1.000	AXLE FRONT Type: Reverse Elliot I Beam Capacity: 2700 kg AXLE REAR Type: Banjo fully-floating Capacity: 5000 kg Ratio: 6.142:1	Dual Hydraulic with Vacuum Servo WHEELBASE 3815mm

CHASSIS RATINGS (Maximum)

GROSS COMBINATION and GROSS VEHICLE MASS RATING		ESTIMATED KERB MASS (chassis and cab with oil, water and fuel tank containing 10 litres of fuel) (kg)			
GVM (kg)	GCM (kg)	TYRES	FRONT	REAR	TOTAL
7000	9000	Std: 7.50R 16LT-12 ply	1460	800	2260

DIMENSIONS



LENGTHS

		(mm)
Overall length	OAL	6610
Wheelbase	WB	3815
Cab to axle	CA*	3295
Cab to end of frame	CE*	5005
Front overhang	FOH	1085
Rear overhang	ROH	1710
Bumper to back of cab	BBC	1605

WIDTHS

		(mm)
Overall width	OAW	1995
Frame width	FW	750
Front track	FT	1665
Rear track	RT	1525
Outside width rear tyres	OWRT	2000

HEIGHTS

		App. (mm)
Overall height	OAH	2150
Ground to top of frame	FH	790
Rear axle clearance	AH	225

TURNING CIRCLE

	(m)
Kerb to kerb	14.4
Wall to wall	15.8

*CA & CE dimensions are effectively reduced by 200mm with fitment of vertical exhaust.

ISUZU NPR

400

TURBO

CAB/CHASSIS COMPONENT SPECIFICATIONS

AXLE FRONT

Type: Reverse Elliot I beam
Capacity: 2700 kg

AXLE REAR

Type: Banjo, fully floating
Capacity: 5000 kg
Ratio: 6.142:1

Final Gear: Hypoid, 292mm diameter

BRAKES, SERVICE

Type: Hydraulic, front two leading, rear dual two leading
Exhaust Brake

Total lining area: 1840 cm²

BRAKE, PARKING

Type: Mechanical, at rear of transmission.

CABIN

EXTERIOR

Aerodynamic, all-steel, tilt type wide cab with laminated windshield. 2 speed windshield wiper/washer. Double-action door hinges. Large non-skid entry steps to each side. Four sealed beam rectangular headlamps. Fog lamps. Energy absorbing polypropylene front bumper. West-coast type exterior mirrors. General hand tools, toolbox and 5000 kg capacity jack.

INTERIOR

Tilt and telescopic adjustable steering wheel. Adjustable and reclining driver's bucket seat. 2 seater passenger seat. Full length glove compartment. Centre console box. Windshield washer tank located in passenger door. Front side quarter vent windows. AM Radio. Heater demister with 3 speed fan. Driver and passenger sunvisors. Padded roof lining. Easy access, pull-down fuse cover.

INSTRUMENTATION

Speedometer with odometer and trip meter. GAUGES for fuel level and engine coolant temperature. INDICATOR LIGHTS for turn signal, park brake on, exhaust brake on and headlamp high beam. WARNING LAMP for battery charge, brake failure, glow plug, oil pressure. Left side combination switch for exhaust brake, windshield wash/2 speed windshield wipers. Right side combination switch for turn indicators and headlamps. Foglamp switch. Dual range transmission 'supershift'.

CLUTCH

Type: Dry single plate with diaphragm spring, hydraulic control.
Size: 300mm diameter.

ENGINE SPECIFICATIONS

Type: Isuzu Turbo-charged Diesel OHV 4 cylinder direct ignition
Displacement: 3856 cc
Max Power 79 kW @ 3000 rpm
Max Torque 306 Nm @ 1800 rpm
Bore and stroke: 102 x 118 mm
Compression ratio: 17.0:1
RAC rating: 25
Automatic engine stop device (fuel cut)

LUBRICATION

Pressure feed with full flow paper element oil filter.
Capacity 8.0 litres with filter.

COOLING

400mm plastic fan with viscous drive fan clutch.
Radiator: Height x Width x Thickness
547 x 471 x 54 mm.

AIR INTAKE

Vertical air intake behind cab

AIR CLEANER

Type: Paper element (cartridge type) mounted high on chassis.

FUEL SYSTEM

Fuel injection pump: In-line plunger Bosch 'A' with mechanical all speed governor.
Fuel/water sedimentor with warning lamp.
Fuel tank capacity: 90 litres.

ELECTRICAL SYSTEMS

Batteries: 2 x 12 volt 50 Amp/hour
Alternator: 24 volt — 20 Amp
Starter: 24 volt — 3.5 kW

FRAME

Type: Ladder type channel section
Side member dimensions: 173 x 65 x 6mm

STEERING

Type: Recirculating ball, 430mm diameter steering wheel, two spoke.
Tilt and telescopic adjustment.
Gear ratio: 29.0-34.5:1

SUSPENSION, FRONT

Type: Semi-elliptical alloy steel leaf springs
Size: Length x Width (mm) — No. of leaves 1140 x 70 — 7
Shock absorbers: Hydraulic, double acting telescopic

SUSPENSION, REAR

Type: Semi-elliptical alloy steel leaf springs
Size: Length x Width (mm) — No. of leaves
Main 1250 x 70 — 6

Auxiliary: 850 x 70 — 5

Shock absorbers: Hydraulic, double acting telescopic.

TRANSMISSION

Type: Isuzu 5 speed overdrive

Gear Ratios (to 1)

1st 4.987 2nd 2.870 3rd 1.684 4th 1.000 5th 0.728 Rev 4.777

Supershift gear ratio (to 1) Economy 0.762 Power 1.000

TYRES AND WHEELS

Tyre size: 7.50R x 16LT — 12 ply

Wheel type and size: 6.0 GS x 16. 6 stud.

HOLDEN'S MOTOR COMPANY 12/20 WARRANTY

Every Isuzu is covered by the Holden's Motor Company warranty which covers your vehicle for the first 12 months or 20,000 kilometres.

PLEASE NOTE: As the policy of Holden's Motor Company is one of continual product improvement, all specifications and equipment are subject to change without notice. Bodies illustrated are not standard. No Holden's Motor Company Dealer or other person is authorised or permitted to give or make any statement, assertion or undertaking in relation to the quality performance characteristics descriptions or fitness for any purpose of any Holden's Motor Company product or in connection with the supply of any Holden's Motor Company product, which is at variance with any written statement assertion or undertaking on any of these subjects given or made by Holden's Motor Company or General Motors-Holden's Sales Pty. Ltd. in its published sales literature, and neither company accepts any liability for any such unauthorised action. Holden's Motor Company and General Motors-Holden's Sales Pty. Ltd. have franchised dealers in many parts of Australia for the sale of service parts and the provision of service to owners of Holden's Motor Company products. Every endeavour is made to ensure that such dealers carry adequate stocks of service parts, and are equipped to provide satisfactory service, but neither Holden's Motor Company nor General Motors-Holden's Sales Pty. Ltd. makes any promise, other than that contained in the New Vehicle Warranty given by General Motors-Holden's Sales Pty. Ltd., that such parts or service facilities will be available, or available at any specific location or any particular time.
General Motors-Holden's Sales Pty. Ltd.

YOUR HOLDEN'S MOTOR COMPANY ISUZU DEALER:



Reliability is Everything.