

# NPR 250 | 300

## NPR 250 | 300 Crew



NPR 300 Crew



NPR 300 Premium

AUSTRALIA'S TOP SELLING TRUCK BRAND SINCE 1989. Truck tracker 2009.

### AT A GLANCE

|               |                            |
|---------------|----------------------------|
| <b>GVM</b>    | 4,500 / 6,500 kg           |
| <b>GCM</b>    | 8,000 / 10,000 kg          |
| <b>Power</b>  | 114 kW @ 2,600 rpm         |
| <b>Torque</b> | 419 Nm @ 1,600 - 2,600 rpm |

### UPGRADE OPTIONS

#### Premium Pack:

- Automated Manual Transmission (AMT)
- Instrument panel multi-information display
- Cruise control
- Auto control for air conditioning
- Front foglamps
- Chrome grille

### ADVANCED TECHNOLOGY

- Emissions: Euro IV - exceeds ADR80/02
- Driver and passenger airbag with seatbelt pretensioner
- Anti-lock Braking System (ABS)
- Anti Skid Regulator (ASR)
- Hill Start Aid (HSA) - except premium pack
- Electric mirrors
- Front and rear stabiliser bars



RELIABILITY IS EVERYTHING **ISUZU**

## Driveline & Chassis Specifications

### ENGINE: SITEC SERIES II 155 (ISUZU 4HK1-TCN)

- Type:** 4 cylinder 16 valve SOHC
- Displacement:** 5,193 cc
- Compression ratio:** 17.5:1
- Bore x Stroke:** 115 mm x 125 mm
- Max power (DIN - NET):** 114 kW (153 HP) @ 2,600 RPM  
(JIS Gross): 118 kW (158 HP) @ 2,600 RPM
- Max torque (DIN - NET):** 419 Nm (309 lb.ft) @ 1,600 - 2,600 RPM  
(JIS Gross): 434 Nm (320 lb.ft) @ 1,600 - 2,600 RPM
- Induction system:** Electronically controlled variable nozzle turbocharger with air-to-air intercooler.
- Fuel injection:** Direct injection high pressure common rail system.
- Emission control system:** Two-stage cooled EGR with exhaust Diesel Particulate Diffuser (DPD). ADR 80/02 (Euro IV) compliant.

### CLUTCH

#### Standard model:

- Auto adjusting hydraulic control with vacuum assistance. Single plate 325 mm diameter.
- Total lining area: 966 cm<sup>2</sup>

#### Premium Pack:

- Fully automated hydraulically controlled wet clutch and fluid coupling with lock up.

### TRANSMISSION

#### ISUZU MYY-6S

- PTO provision on LHS of transmission case. PTO drive from counter gear.

- Gear ratios (: 1)

| 1st   | 2nd   | 3rd   | 4th   | 5th   | 6th   | Rev   |
|-------|-------|-------|-------|-------|-------|-------|
| 5.979 | 3.434 | 1.862 | 1.297 | 1.000 | 0.750 | 5.701 |

#### Standard model:

- 6 speed manual. Synchromesh on gears 1-6.

#### Premium Pack:

- 6 speed Automated Manual Transmission (AMT) with both fully automatic and clutchless manual operation modes.

### AXLES

#### Front: Isuzu F031

- Reverse Elliot I-beam. 3,100 kg capacity.

#### Rear: Isuzu R066

- Full floating Banjo type. Four differential pinions. 6,600 kg capacity.
- Drive ratio: 4.100:1

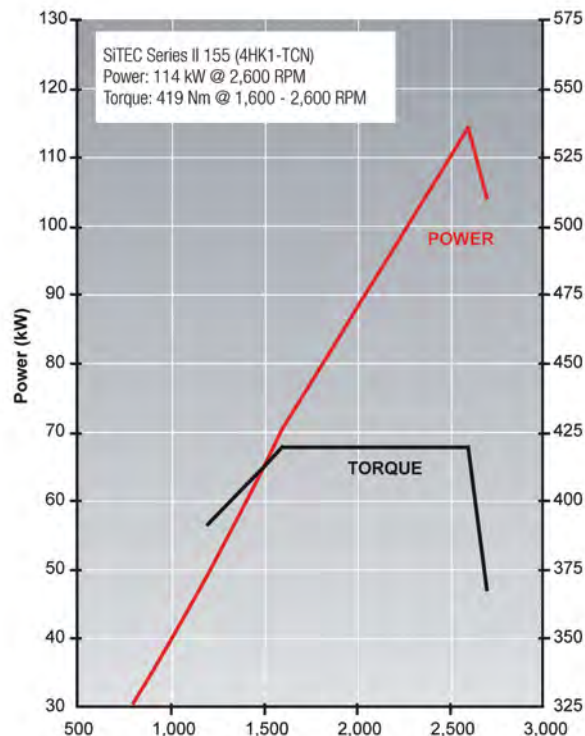
### SUSPENSION

#### Front:

- Single stage alloy steel multi leaf springs.
- Double acting hydraulic shock absorbers. Stabiliser bar.

#### Rear:

- Multi leaf main spring, multi leaf helper spring.
- Double acting hydraulic shock absorbers. Stabiliser bar.



### BRAKES

- Auto adjusting front disc and rear drum brakes with dual circuit hydraulic control, vacuum assistance and electronic brake force distribution (EBD).
- ABS and ASR traction control.
- Hill Start Aid (HSA) - except premium pack.
- Front disc diameter: 293 mm
- Rear drum size: 320 x 100 mm
- 190 mm diameter drum park brake mounted on rear of transmission.
- Vacuum controlled exhaust brake.

### STEERING

- Power assisted recirculating ball steering.
- Gear ratio: 20.9:1
- Turns lock to lock: 5.4
- Maximum angle: 43° (inside wheel) / 33° (outside wheel)

### WHEELS AND TYRES

- 17.5 x 6.00 six stud steel wheels.
- 205/75R 17.5 124/122M Michelin XZE2 Tubeless.
- Maximum tyre rating:  
Steer axle: 3,200 kg  
Drive axle: 6,000 kg
- 1 frame mounted spare wheel and tyre assembly.

## CHASSIS FRAME

- Cold rivetted ladder frame. SAPH440 weldable steel sidemembers. Parallel side rails and rivetless top flange.
- Frame dimensions:
  - Side rail (mm): 216 x 70 x 6.0
  - Rear frame width (mm): 850

## FUEL TANK

- Frame mounted 140L steel fuel tank.
- Lockable fuel cap.

## ELECTRICAL SYSTEM

- 24 volt electrical system.
- 80 amp alternator.
- 4.5 kW starter motor.
- 2 x 80D26L (630 CCA) batteries connected in series.

## Cabin Specifications and Appointments

### CAB EXTERIOR

- All steel construction. High tensile steel used for cab underframe.
  - Single cab:** Manual cab tilt to 45° with torsion bar assistance.
- **Single cab:** Liquid filled front and rear cab mounts. **Crew cab:** Rubber cab mounts.
- Heavy duty non slip entry steps.
- 90° opening internally reinforced front doors.
- Water spray suppression guards and front mudflaps.
- Laminated windscreen with shade band.
- Two speed windscreen wipers with intermittent wipe mode.
- Halogen multi-reflector headlamps incorporating turn signals. Additional door mounted side indicator lamps.
- Combination brake, turn, reverse and marker lamps, registration plate illumination lamps. Extended wiring harness. Reverse alarm.
- Roof-mounted clearance lamps.
- Heated and powered exterior main mirrors with flat glass and additional independently adjustable convex "spot" mirrors.
- **Standard model:** Body coloured grille. **Premium Pack:** Chrome grille.
- Body coloured impact resisting polycarbonate bumper with steel backing frame. **Premium Pack:** Includes front foglamps.

### CAB INTERIOR

- Contoured adjustable driver's bucket seat.
- Front passenger bench seat with 2 seat capacity.
- **Crew cab:** Engine access provided under removable driver seat base and tiltable front passenger seat.
- **Crew cab:** Rear bench seat with 4 seat capacity.
- 3-point lap sash seatbelts in all outboard seating positions. Driver and outboard front passenger seatbelts fitted with pretensioner. Centre seat lap belts.
- Driver and outboard front passenger airbag.
- **Premium Pack:** Driver's footrest.
- Door and roof pillar entry assist grips. **Crew cab:** Full width rear grab rail with ashtray.
- Full interior trim, padded roof lining and vinyl floor covering. Driver and passenger windscreen header storage shelf.
- Tilt/Telescopic adjustable steering column, soft feel urethane steering wheel.
- Electric windows.
- Central locking with remote keyless entry and immobiliser.
- Twin cup holders. 24V cigarette lighter. Dashboard hook.
- Front door mounted storage pockets and driver's side ashtray.

- Centre console box with storage tray. Fold down storage tray behind centre seat backrest.
- Fully integrated air conditioning and heater/demister with 4-speed fan and outlets for windscreen, side windows, face and floor. **Standard model:** Manual control. **Premium Pack:** Auto control.
- Interior lamp with On/Door/Off switch.
- 2 DIN, two speaker radio/CD multimedia unit with 4.8" LCD touch screen and Bluetooth. Provision for SD card, USB and 3.5 mm plug inputs.
- DIN sized compartment for storage or for CB radio installation.

### DRIVER CONTROLS

- Key-operated engine start/stop and steering lock. Engine idle speed control.
- HSA slow/fast engagement control and on/off switch - except premium pack.
- ASR on/off.
- DPD regeneration.
- **Premium Pack:** AMT slow/fast gear engagement control, 1st gear start and normal/economy gear selection modes.
- **Left side combination stalk:** Windscreen wipers, washers and exhaust brake.
- **Right side combination stalk:** Turn signals and headlamps. **Premium Pack:** Cruise control.

### INSTRUMENTATION

- Electronically driven speedometer and tachometer. Digital odometer with integrated dual tripmeter. Engine coolant temperature and fuel level gauges.
- **Warning lamps:** Check engine, oil pressure, ABS, SRS airbag, alternator charge, service brakes, park brake, seat belt unfastened, low fuel level. **Premium Pack:** Check AMT.
- **Indicator lamps:** HSA (except premium pack), warm up system, high beam, ASR, DPD status, exhaust brake, turn signals. **Premium Pack:** Cruise control, econo-mode, 1st gear start.
- **Premium Pack:** Gear selection display.
- **Premium Pack:** Multi-information display. Shows service interval, instantaneous and average fuel consumption, DPD bar chart, hourmeter, voltmeter, time/day/date and includes 40-120 km/h adjustable vehicle speed warning.

### OPTIONS AND GENUINE ACCESSORIES

Include the following (extra cost, request a brochure and further details from your Isuzu dealer):

- Satellite navigation - integrates with multimedia unit and includes NAVTEQ mapping.
- Up to three audio/visual reversing cameras - integrates with multimedia unit.
- Airbag compatible bullbar.
- 3,500 kg rated towbar.
- Air deflector.

# ISUZU

## SPECIFICATIONS

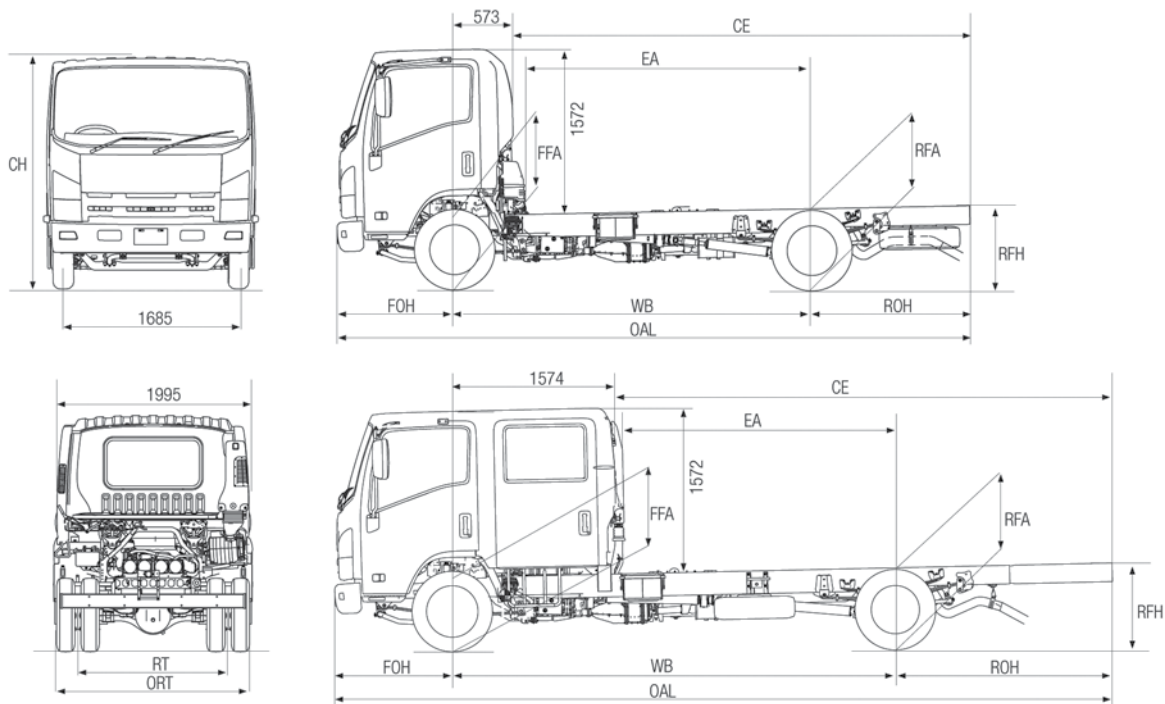
### Weights (kg)

| Models                       | Ratings*      |                | Loading Limit* (at ground) |       | Cab Chassis Mass# |      |       |
|------------------------------|---------------|----------------|----------------------------|-------|-------------------|------|-------|
|                              | GVM           | GCM            | Front                      | Rear  | Front             | Rear | Total |
| NPR 250 / 300 Medium         | 4,500 / 6,500 | 8,000 / 10,000 | 3,100                      | 6,000 | 1,740             | 870  | 2,610 |
| NPR 250 / 300 Medium Premium | 4,500 / 6,500 | 8,000 / 10,000 | 3,100                      | 6,000 | 1,760             | 910  | 2,670 |
| NPR 250 / 300 Crew           | 4,500 / 6,500 | 8,000 / 10,000 | 3,100                      | 6,000 | 1,965             | 925  | 2,890 |
| NPR 250 / 300 Crew Premium   | 4,500 / 6,500 | 8,000 / 10,000 | 3,100                      | 6,000 | 1,985             | 965  | 2,950 |

Maximum Gross Trailer Mass: 750 kg (unbraked), 3,500 kg (braked) \* Vehicle ratings and front/rear weight limits are subject to government regulatory requirements and weight distribution analysis. Consult your Isuzu dealer to select the correct vehicle for your specific application. # Cab chassis only as supplied and including 10 litres of fuel.

### Dimensions (mm)

| Models               | WB    | OAL   | FOH   | ROH   | EA    | CE    | RT    | ORT   | CH    | FFA (unladen) | RFA (unladen) | RFH (unladen) | Turn Circle (m) |
|----------------------|-------|-------|-------|-------|-------|-------|-------|-------|-------|---------------|---------------|---------------|-----------------|
|                      |       |       |       |       |       |       |       |       |       |               |               |               | KERB TO KERB    |
| NPR 250 / 300 Medium | 3,365 | 5,985 | 1,110 | 1,510 | 2,680 | 4,302 | 1,650 | 2,115 | 2,265 | 665           | 800           | 840           | 12.4            |
| NPR 250 / 300 Crew   | 4,175 | 7,338 | 1,110 | 2,053 | 2,510 | 4,654 | 1,650 | 2,115 | 2,265 | 660           | 800           | 860           | 15.3            |



### Performance (calculated - typical paved road)

|         |                 | Geared Speed*<br>(top gear at peak power engine RPM) | Low Speed Gradeability<br>(lowest forward gear assuming no wheel slip) | Engine Speed<br>(top gear at 100 km/h) |
|---------|-----------------|--|--|--|
| NPR 250 | At 4,500 kg GVM | 118 km/h @ 2,600 RPM                                 | 57%  | 2,210 RPM                              |
| NPR 300 | At 6,500 kg GVM | 118 km/h @ 2,600 RPM                                 | 39%  | 2,210 RPM                              |

\* Maximum speed achievable depends on vehicle frontal area as well as other factors. Consult your Isuzu dealer for more detailed information.

### Isuzu Warranties

#### STANDARD<sup>1</sup>

|                           |                                  |
|---------------------------|----------------------------------|
| New Vehicle               | 3 years   100,000 km   2,000 hrs |
| Cab Perforation Corrosion | 3 years   Unlimited km           |

#### EXTENDED<sup>2</sup>

|                      |                      |                      |
|----------------------|----------------------|----------------------|
| 4 years   200,000 km | 5 years   250,000 km | 6 years   300,000 km |
|----------------------|----------------------|----------------------|

<sup>1</sup> Subject to the conditions outlined in the IAL New Vehicle Warranty, the Isuzu NPR models carry a standard factory warranty which covers the owner: (i) for the entire vehicle, for the first 36 months or 100,000 km or 2,000 hrs (whichever comes first); (ii) against cab perforation corrosion, for 36 months and unlimited kilometres. <sup>2</sup> Extended Warranty as illustrated is available by purchase to cover the owner against the failure of original components, but may exclude some components and expendable items such as oil, filters, etc. Please consult with your Isuzu Dealer for full details obtained from a dedicated brochure available to customers.

### Order Codes

| Model                        | Code         | Model                      | Code         |
|------------------------------|--------------|----------------------------|--------------|
| NPR 250 / 300 Medium         | NH-NPRCB-G01 | NPR 250 / 300 Crew         | NH-NPRGB-B01 |
| NPR 250 / 300 Medium Premium | NH-NPRDB-D01 | NPR 250 / 300 Crew Premium | NH-NPRHB-D01 |

ISUZU AUSTRALIA LIMITED ABN 97 006 962 572 ("IAL"). The information in this brochure was correct at time of printing, but all measurements, specifications and equipment are subject to change without notice. Some equipment may have been changed and/or is available at extra cost. IAL may make changes at any time without notice, in prices, colours, materials, equipment and models. IAL makes all reasonable attempts to ensure the availability of all vehicles and equipment. The information in this brochure is general in nature. Your Isuzu dealer can confirm all measurements, specifications and vehicle / equipment availability upon request.

July 2009. ARK0407

RELIABILITY IS EVERYTHING ISUZU