



ISUZU SBR 422W

Custom Crew Cab

GMH MODEL: FSR 11H (C/S)

ORDERING CODE: 8DC02w/VGR

STANDARD GVM 8000 kg

STANDARD GCM 15000 kg

TARE MASS (approx) 3105 kg

DRIVELINE SPECIFICATION

ENGINE

Model: ISUZU 6BD1
 Type: 6 cylinder OHV Diesel
 Displacement: 5785cc
 Max power: 100kW @ 3200 rpm
 Max torque: 351 Nm @ 1850 rpm
 Bore & Stroke 102x118mm
 Compression ratio: 17.5:1
 RAC Rating: 38.7

TRANSMISSION

Model: ISUZU MBG 5A
 Type: 5-speed direct drive
 Gear ratios (to 1):
 1st 6.378
 2nd 3.627
 3rd 2.239
 4th 1.452
 5th 1.000
 Rev 5.835

AXLE, FRONT

Type: Reverse Elliot I beam
 Capacity: 3400 kg

AXLE, REAR

Type: Banjo fully floating
 Capacity: 7700 kg
 Ratio: 4.750:1

BRAKES

Air over hydraulic

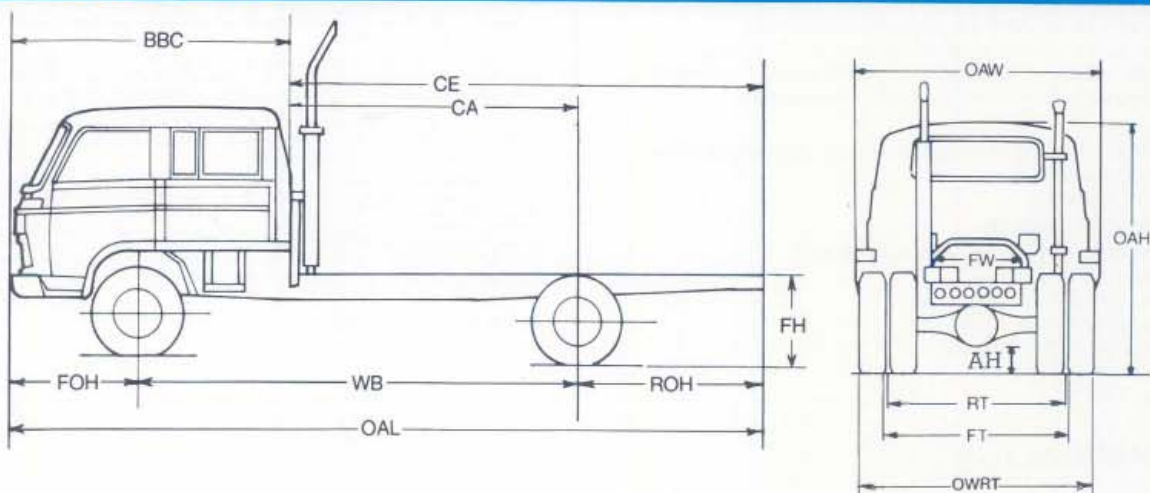
WHEELBASE

4200mm

CHASSIS RATINGS

GROSS COMBINATION and GROSS VEHICLE MASS RATING (KG):			Estimated kerb mass (chassis and cab with oil, water and full fuel tank) (kg)		
GVM	GCM	Tyres	Front	Rear	Total
Std. 8000	15000	8.25 x 16-12 ply	1970	1135	3105
Opt. 9000		8.25R x 16-14 ply Radials			

DIMENSIONS



LENGTHS

		(mm)
Overall length	OAL	7160
Wheelbase	WB	4200
Cab to axle	CA*	2745
Cab to end of frame	CE*	4495
Front Overhang	FOH	1210
Rear Overhang	ROH	1750
Bumper to back of cab	BBC	2665

HEIGHTS

Overall height	OAH	2360
Ground to top of frame	FH	880
Rear axle clearance	AH	210

TURNING CIRCLE

Kerb to kerb	(m)	14.2
Wall to wall		15.8

*CA & CE dimensions are effectively reduced by 300mm with the fitment of vertical exhaust pipe & protector.

WIDTHS

Overall width	OAW	2170
Frame width	FW	800
Front track	FT	1700
Rear track	RT	1610
Outside width rear tyres	OWRT	2100



ISUZU

Reliability is everything.

ISUZU SBR 422W

Custom Crew Cab

CAB/CHASSIS COMPONENT SPECIFICATIONS

AXLE, FRONT

Type: Reverse Elliot I beam
Capacity: 3400 kg

AXLE, REAR

Type: Banjo fully floating
Capacity: 7700 kg
Ratio: 4.750:1

Final Gear: 343mm diameter, single reduction, Hypoid

BRAKES, SERVICE

Type: Air over hydraulic dual circuit, front two leading, rear dual two leading. Exhaust brake.
Total lining area: 3082cm²
Brake drum diameter: 320mm

BRAKE, PARKING

Type: Mechanical expanding at rear of transmission.

CABIN EXTERIOR

All steel crew cab, Laminated windshield. 2 speed windshield wiper/washer with intermittent setting. West-coast type rear view mirrors. Dual round sealed beam headlamps. Fog lamps. Vertical air intake stack. General hand tools and 7000kg capacity jack. Spare wheel and tyre.

INTERIOR

Custom cab interior. Adjustable driver's seat
Tilt telescopic adjustable steering wheel.
Adjustable roof vents. Rear side vent windows.
Passenger bucket seat and second passenger centre seat which lifts up for coolant and oil check. AM Radio. Heater/demister with 4 speed fan. Driver and passenger sunvisors. Suspended roof lining.

INSTRUMENTATION

Speedometer and odometer. Tachometer. GAUGES for engine temperature, brake air pressure and fuel level. INDICATOR LAMPS for turn indicators, headlamp high beam, exhaust brake on and park brake on. WARNING LAMPS for low brake fluid, low brake air pressure, battery charge, clogged air filter, oil pressure. Left side combination switch for exhaust brake & two speed wipers with intermittent setting. Hazard warning switch. Fog lamp switch. Right combination switch for headlamps, turn signal and headlamp dip. Key operation auto engine stop.

CLUTCH

Type: Hydraulic control with helper spring, dry single plate with cushioning springs.
Size: 325mm diameter.

ENGINE SPECIFICATION

Type: 6 cylinder OHV diesel, direct injection
Displacement: 5785cc
Max. Power: 100 kW @ 3200 rpm
Max torque: 351 Nm @ 1850 rpm
Bore and Stroke: 102 x 118mm
Compression ratio: 17.5:1
RAC rating: 38.7

YOUR GMH ISUZU DEALER:

LUBRICATION

Pressure feed with full flow paper element filter, oil cooler.
Capacity 14.5 litres including filter.

COOLING

Fan type: 6 blade plastic
Size: 475mm Ø
Radiator size: 566 x 523 x 71 mm
Total frontal area: 0.296m²

AIR CLEANER

Paper element, Donaldson 8", vertical air intake stack.

FUEL SYSTEM

Fuel injection pump: Bosch 'A' with in-line mechanical governor
Fuel tank capacity: 200 litre.

ELECTRICAL SYSTEMS

Batteries: 2 x 12V-65AH
Alternator: 24V-40A
Starter: 24V-4.5kW

FRAME

Type: Ladder type channel section
Side member dimensions: 225 x 70 x 6mm.
Tapering to 125 mm at rear.

STEERING

Type: Recirculating ball, heavy duty. Tilt/telescopic steering wheel.
Gear ratio: 29.7:1

SUSPENSION, FRONT

Type: Semi-elliptical alloy steel leaf springs
Size: 1200 x 70 - 8

Length x width (mm) no of leaves

Shock absorbers: Hydraulic double acting telescopic

SUSPENSION, REAR

Type: Semi-elliptical alloy steel leaf springs
Size: length x width (mm) no of leaves

Main: 1300 x 70-8

Auxiliary: 850 x 70 x 10-7

TRANSMISSION

Type: Isuzu 5 speed direct drive

Gear ratios (to 1)

1st 6.378 2nd 3.627 3rd 2.239 4th 1.452

5th 1.000 Rev 5.835

TYRES AND WHEELS

Tyre size: 8.25 x 16-12 ply.

Optional 8.25R x 16-14 ply Radials.

Wheel type and size 6.00GS x 16, 6 stud disc wheels.

GMH 12/20 WARRANTY

Every Isuzu is covered by the GMH warranty which covers the vehicle for the first 12 months or 20,000 kilometres.

Major engine components and driveline components have additional extended warranty. Please consult your GMH/ISUZU dealer for complete and accurate details.

PLEASE NOTE: As the policy of General Motors-Holden's is one of continual product improvement, all specifications and equipment are subject to changes without notice. Bodies illustrated are not standard.

No GMH Dealer or other person is authorised or permitted to give or make any statement or undertaking in relation to the quality performance characteristics descriptions or fitness for any purpose of any GMH product or in connection with the supply of any GMH product, which is at variance with any written statement or undertaking on any of these subjects given or made by General Motors-Holden's Limited or General Motors-Holden's Sales Pty. Ltd. in its published sales literature, and neither company accepts any liability for any such unauthorised action.

General Motors-Holden's Limited and General Motors-Holden's Sales Pty. Ltd. have franchised dealers in many parts of Australia for the sale of service parts and the provision of service to owners of GMH's products. Every endeavour is made to ensure that such dealers carry adequate stocks of service parts, and are equipped to provide satisfactory service, but neither General Motors-Holden's Ltd. nor General Motors-Holden's Sales Pty. Ltd. makes any promise, other than that contained in the New Vehicle Warranty given by General Motors-Holden's Sales Pty. Ltd., that such parts or service facilities will be available, or available at any specific location or any particular time.

General Motors Holden's Sales Pty. Ltd.



Reliability is everything.