

ISUZU

SPECIFICATIONS

FRR 500 | FRR 500 CREW

FRD 500



AUSTRALIA'S TOP SELLING TRUCK BRAND SINCE 1989.

AT A GLANCE

GVM	10,400 kg
GCM	16,000 kg
Power	151 kW @ 2,600 rpm
Torque	637 Nm @ 1,600 rpm

UPGRADE OPTIONS

AMT Pack:

Automated Manual Transmission (AMT)

ADVANCED TECHNOLOGY

Emissions: Euro V / ADR 80/03	Hill Start Aid (HSA)
Meets EEV emissions standard	Cruise control
Driver and passenger airbag with seatbelt pretensioner	Electric mirrors
ECE-R29 compliant cab	Front stabiliser bar
Anti-lock Braking System (ABS)	ISRI 6860 seat with integrated seatbelt
Anti Skid Regulator (ASR)	Electronically controlled 4-bag air rear suspension (FRD model)
- except crew	Cornering lamps



THE
one

ISUZU
RELIABILITY IS EVERYTHING

FRR MEDIUM | LONG | PTO | X-LONG | CREW

FRR X-LONG

DRIVELINE AND CHASSIS SPECIFICATIONS

ENGINE: SITEC SERIES III 205 (ISUZU 4HK1-TCS)

- Type:** 4 cylinder 16 valve SOHC
Displacement: 5,193 cc
Bore x Stroke: 115mm x 125mm
Compression ratio: 17.5:1
Max power (Din-net): 151 kW (202 HP) @ 2,600 RPM
(JIS Gross): 157 kW (211 HP) @ 2,600 RPM
Max torque (Din-net): 637 Nm (470 lb.ft) @ 1,600 RPM
(JIS Gross): 659 Nm (486 lb.ft) @ 1,600 RPM
Induction system: Electronically controlled variable nozzle turbocharger with air-to-air intercooler.
Fuel injection: Direct injection high pressure common rail system.
Emission control system: Cooled EGR with exhaust Diesel Particulate Difuser (DPD). ADR 80/03 (Euro V) compliant. EEV compliant.
Engine driven PTO (FRR 500 PTO model only):
 - Constant mesh. Rotates at 0.7 x engine speed.
 - 353 Nm maximum output torque.
 - Anti-clockwise rotation when viewed from rear of engine.

CLUTCH

- Standard model:**
 - Air assisted hydraulic control. Single plate 352 mm diameter.
 - Total lining area: 1,164 cm²**AMT Pack:**
 - Fully automated hydraulically controlled wet clutch and fluid coupling with lock up.

TRANSMISSION

- ISUZU MZW-6P**
 - Synchromesh on gears 2-6. Triple cone synchromesh on 2nd and 3rd gears. Integral oil pump provides full pressure lubrication.
 - PTO provision on LHS of transmission case. PTO drive from mainshaft gear.
 - **Gear ratios (:1)**

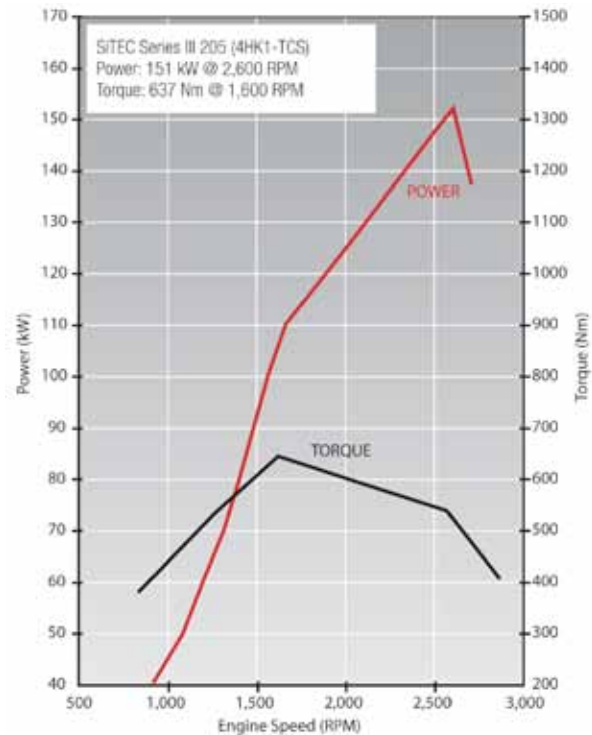
1st	2nd	3rd	4th	5th	6th	Rev
6.615	4.095	2.358	1.531	1.000	0.722	6.615
 - 6 speed manual with air assisted shift.**AMT Pack:**
 - 6 speed Automated Manual Transmission (AMT) with both fully automatic and clutchless manual operation modes.

AXLES

- Front: Isuzu F041**
 - Reverse Elliot I-beam. 4,100 kg capacity.**Rear: Isuzu R077**
 - Full floating Banjo type. 7,700 kg capacity.
 - Drive ratio: 5.125:1

SUSPENSION

- Front:**
 - Single stage alloy steel taper leaf springs (except FRR 500 PTO). Single stage alloy steel multi leaf springs (FRR 500 PTO).
 - Double acting hydraulic shock absorbers. Stabiliser bar.**Rear (FRR 500):**
 - Multi leaf main spring, multi leaf helper spring.**Rear (FRD 500):**
 - Isuzu 4-bag electronically controlled air suspension system.
 - Double acting hydraulic shock absorbers. Stabiliser bar.



BRAKES

- Dual circuit air over hydraulic front and rear drum brakes.
- ABS.
- ASR traction control (except crew).
- Hill Start Aid (HSA).
- Front drum size: 320 x 120 mm
- Rear drum size: 320 x 145 mm
- Spring park brake.
- Air controlled exhaust brake.
- Air dryer.

STEERING

- Power assisted recirculating ball steering.
- Gear ratio: 16:1 - 18.8:1
- Turns lock to lock: 4.1
- Maximum angle: 52° (inside wheel) / 39° (outside wheel)

WHEELS AND TYRES

- 17.5 x 6.00J six stud steel wheels.
- **Steer axle:** 9.5R17.5 129/127L Michelin XZA Tubeless
- **Drive axle:** 9.5R17.5 129/127L Michelin XZA Tubeless (except FRR 500 PTO)
9.5R17.5 129/127L Michelin XZT Tubeless (FRR 500 PTO)
- Maximum tyre rating:
 - Steer axle: 3,700 kg
 - Drive axle: 7,000 kg
- Spare wheel and tyre assembly with winch type carrier.

CHASSIS FRAME

- Cold rivetted ladder frame with parallel side rails. HT540A high tensile weldable steel sidemembers.
- **Frame dimensions:**
 - Side rail (mm): 225 x 70 x 6.0
 - Rear frame width (mm): 840

FUEL TANK

- Frame mounted 200L steel fuel tank.
- Lockable fuel cap.

ELECTRICAL SYSTEM

- 24 volt electrical system.

- **Single cab:** 60 amp alternator. **Crew cab:** 90 amp alternator.
- 24 Volt, 4.5 kW starter motor.
- 2 x 115E41L (651 CCA) batteries connected in series.
- Underdash CAN interface unit and connector. SAE J1939 protocol. Facilitates connection to a Fleet Management System (FMS) (not supplied).

CABIN SPECIFICATIONS AND APPOINTMENTS

CAB EXTERIOR

- All steel construction. High tensile steel used for cab underframe.
Single cab: Manual cab tilt to 45° with torsion bar assistance.
Crew cab: Electro-hydraulic cab tilt.
- Complies with ECE-R29 cab strength standard.
- **Single cab:** Liquid filled front and rear cab mounts.
Crew cab: Rubber cab mounts.
- Heavy duty non slip entry steps.
- 90° opening internally reinforced front doors.
- Water spray suppression guards and front mudflaps.
- Laminated windscreen with shade band.
- Two speed windscreen wipers, with intermittent wipe mode.
- Halogen multi-reflector headlamps incorporating turn signals. Additional door mounted integrated side indicator/cornering lamps.
- Combination brake, turn, reverse and marker lamps, registration plate illumination lamps. Extended wiring harness. Reverse alarm.
- Roof-mounted clearance lamps.
- Heated and powered exterior main mirrors with flat glass and additional powered convex "spot" mirrors.
- Body coloured grille.
- Body coloured steel bumper with front foglamps. Air dam type (except FRR 500 PTO). Standard type (FRR 500 PTO).

CAB INTERIOR

- Isri 6860 air suspension driver's seat with pneumatic lumbar support, height, rake and automatic weight adjustment.
- Front passenger adjustable bucket seat and front centre seat with folding seat back.
- **Crew cab:** Rear bench seat with 4 seat capacity.
- 3-point lap sash seatbelts in all outboard seating positions. Driver seatbelt with pretensioner integrated with driver seat. Outboard front passenger seatbelt fitted with pretensioner. Centre seat lap belts.
- Driver and outboard front passenger airbag.
- **AMT Pack:** Driver's footrest.
- Door and roof pillar entry assist grips. **Crew cab:** Full width rear grab rail with ashtray.
- Full interior trim, padded roof lining and vinyl floor covering. Driver and passenger windscreen header storage shelf.
- Tilt/Telescopic adjustable steering column, soft feel urethane steering wheel.
- Electric windows.
- Central locking with remote keyless entry and immobiliser.
- Twin cup holders. 24V cigarette lighter. Dashboard hook.
- Front door mounted storage pockets and driver's side ashtray.
- Centre console box with storage tray. Fold down storage tray behind centre seat backrest.
- Fully integrated air conditioning and heater/demister with 4-speed fan and outlets for windscreen, side windows, face and floor.
- Fluorescent type interior lamp with On/Door/Off switch.
- 2 DIN, two speaker radio/CD/DVD Digital Audio Visual Entertainment (DAVE) unit with 6.2" LCD touch screen. DAB+ digital radio and fully integrated Bluetooth with voice recognition. 4GB internal storage for music files. USB/SD card and auxiliary input connection provisions.

- DIN sized compartment for storage or for CB radio installation.

DRIVER CONTROLS

- Key-operated engine start/stop and steering lock. Engine idle speed control.
- HSA slow/fast engagement control and on/off switch.
- ASR on/off (except crew).
- DPD regeneration.
- Hand held pendant for rear suspension raise and lower (FRD only).
- **AMT Pack:** AMT slow/fast gear engagement control, 1st gear start and normal/economy gear selection modes.
- **Left side combination stalk:** Windscreen wipers, washers and exhaust brake.
- **Right side combination stalk:** Turn signals, headlamps and cruise control.

INSTRUMENTATION

- Electronically driven speedometer and tachometer. Digital odometer with integrated dual tripmeter. Engine coolant temperature, fuel level and air pressure gauges.
- **Warning lamps:** Check engine, oil pressure, ABS, SRS airbag, alternator charge, service brakes, park brake, seatbelt unfastened, low air pressure, air suspension failure (FRD only), low fuel level, cab lock.
AMT Pack: Check AMT.
- **Indicator lamps:** HSA, warm up system, high beam, ASR (except crew), DPD status, exhaust brake, turn signals, cruise control.
AMT Pack: Econo-mode, 1st gear start.
- **AMT Pack:** Gear selection display.
- Multi-information display. Shows service interval, instantaneous and average fuel consumption, DPD bar chart, hourmeter, voltmeter, time/day/date and includes 40-120 km/h adjustable vehicle speed warning.

OPTIONS AND GENUINE ACCESSORIES

Include the following (extra cost, request a brochure and further details from your Isuzu dealer):

Digital Audio Visual Entertainment unit:

- Isuzu satellite navigation including three years of free updates.
- Up to four reversing cameras - one with audio for reversing. Reversing sensors.
- Tyre pressure monitoring system.
- Cables for full iPod / iPhone / iPad compatibility and connection to other external audio visual devices.

Other:

- Airbag compatible bullbar.

ISUZU CARE

Isuzu Care gives truck owners access to products and services including Roadside Assist, Service Agreements, Extended Care, Extended Isuzu Assist and the Isuzu Care Centre. Call 1800 035 640.

WEIGHTS (kg)

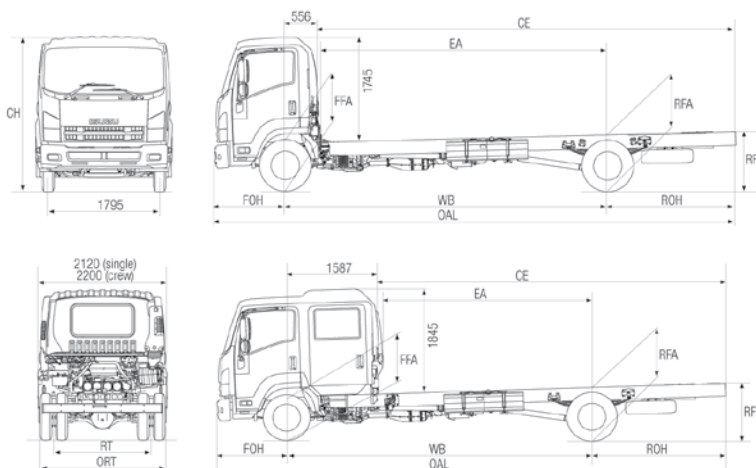
Models	Ratings*		Loading Limit* (at ground)		Cab Chassis Mass #		
	GVM	GCM	Front	Rear	Front	Rear	Total
FRR 500 PTO	10,400	16,000	3,700	7,000	2,110	1,150	3,260
FRR 500 Medium	10,400	16,000	3,700	7,000	2,040	1,140	3,180
FRR 500 Medium AMT	10,400	16,000	3,700	7,000	2,055	1,145	3,200
FRR 500 Long	10,400	16,000	3,700	7,000	2,060	1,150	3,210
FRR 500 Long AMT	10,400	16,000	3,700	7,000	2,075	1,155	3,230
FRR 500 X-Long	10,400	16,000	3,700	7,000	2,110	1,175	3,285
FRD 500 X-Long	10,400	16,000	3,700	7,000	2,105	1,290	3,395
FRR 500 Crew	10,400	16,000	3,700	7,000	2,325	1,235	3,560
FRR 500 Crew AMT	10,400	16,000	3,700	7,000	2,340	1,240	3,580

* Vehicle ratings and front/rear weight limits are subject to government regulatory requirements and weight distribution analysis. Consult your Isuzu dealer to select the correct vehicle for your specific application. # Cab chassis only as supplied and including 10 litres of fuel.

DIMENSIONS (mm)

Turn Circle (m)

Models	WB	OAL	FOH	ROH	EA	CE	RT	ORT	CH	FFA (unladen)	RFA (unladen)	RFH (unladen)	KERB TO KERB
FRR 500 PTO	3,790	6,555	1,170	1,595	3,020	4,830	1,680	2,152	2,550	750	925	980	12.0
FRR 500 Medium	4,060	6,975	1,170	1,745	3,430	5,250	1,680	2,152	2,585	740	915	980	12.9
FRR 500 Long	4,660	7,875	1,170	2,045	4,030	6,150	1,680	2,152	2,585	740	915	985	14.8
FRR 500 X-Long	5,320	8,625	1,170	2,135	4,690	6,900	1,680	2,152	2,595	740	905	970	16.9
FRD 500 X-Long	5,320	8,625	1,170	2,135	4,690	6,900	1,680	2,152	2,595	740	775	775	16.9
FRR 500 Crew	5,160	8,605	1,170	2,275	3,450	5,848	1,680	2,152	2,595	730	905	985	16.4



PERFORMANCE (calculated - typical paved road)

		Geared Speed* (top gear at peak power engine RPM)	Low Speed Gradeability (lowest forward gear assuming no wheel slip)	Engine Speed (top gear at 100km/h)
FRR / FRD 500	At 10,400kg GVM	108km/h @ 2,600 RPM	47%	2,415 RPM

*Maximum speed achievable depends on vehicle frontal area as well as other factors. Consult your Isuzu dealer for more detailed information.

ISUZU WARRANTIES

STANDARD ¹	
New Vehicle	3 years • 150,000km • 2,500 hours
Cab Perforation Corrosion	3 years • unlimited km's
Isuzu Assist: 24 hour roadside assistance (3 years, unlimited km's)*	
EXTENDED CARE ²	
Extended Warranty: 5 years • 300,000km • 5,000 hours	
Isuzu Assist: 24 hour roadside assistance (5 years, unlimited km's)	

ORDER CODES

Model	Code	Model	Code
FRR 500 PTO	FH-FRREE-A13	FRR 500 X-Long	FH-FRRED-E13
FRR 500 Medium	FH-FRRED-B13	FRD 500 X-Long	FH-FRDED-E13
FRR 500 Medium AMT	FH-FRRED-G13	FRR 500 Crew	FH-FRRGD-P13
FRR 500 Long	FH-FRRED-D13	FRR 500 Crew AMT	FH-FRRGD-R13
FRR 500 Long AMT	FH-FRRED-Z13		

¹Subject to the conditions outlined in the IAL New Vehicle Warranty, the Isuzu FRR and FRD models carry a standard factory warranty which covers the owner: (i) for the entire vehicle, for the first 36 months or 150,000km or 2,500 hrs (whichever comes first), (ii) against cab perforation corrosion, for 36 months and unlimited kilometres. ²Extended Warranty as illustrated may be purchased to cover the owner against the failure of original components, but may exclude some components and expendable items such as oil, filters, etc. *Valid for three years from the date of new vehicle purchases. All Isuzu warranties are subject to mandatory prescribed terms under Australian Consumer law including customer guarantees. For more details visit the Isuzu website which explains Isuzu warranties in more detail, or alternatively contact your local dealer. All warranties commence from date of delivery.

ISUZU AUSTRALIA LIMITED ABN 97 006 962 572 ("IAL"). The information in this spec sheet was correct at time of printing, but all measurements, specifications and equipment are subject to change without notice. Some equipment may have been changed and/or is available at extra cost. IAL may make changes at any time without notice, in prices, colours, materials, equipment and models. IAL makes all reasonable attempts to ensure the availability of all vehicles and equipment. The information in this spec sheet is general in nature. Your Isuzu dealer can confirm all measurements, specifications and vehicle / equipment availability upon request. To the extent permitted by the law, IAL is not liable to any person as result of reliance on the content of this spec sheet.

December 2012. ARK0632



ISUZU

RELIABILITY IS EVERYTHING