

ISUZU NPR 59P (REPLACES KS 32)



GMH MODEL: NPR 59P-5L
ORDERING CODE: 8DG 01

STANDARD GVM 7000 kg
STANDARD GCM 9200 kg
TARE MASS 2135 kg

DRIVELINE SPECIFICATION

ENGINE

Model: ISUZU 4BD1
Type: Diesel OHV 4 cylinder in-line direct injection
Displacement: 3856cc
Max power: 66kW @ 3200 rpm
Max torque: 245 Nm @ 1900 rpm
Bore & Stroke 102 x 118mm
Compression ratio: 170:1
RAC Rating: 25.8

TRANSMISSION

Model: ISUZU MSASP with dual range
Type: 5 speed overdrive
Gear ratios (to 1)
1st 5.788
2nd 2.998
3rd 1.735
4th 1.000
5th 0.776
Rev 5.798
Supershift gear ratios (to 1)
Economy 0.762
Power 1.000

AXLE, FRONT

Type: Reverse Elliot I Beam
Capacity: 2400 kg

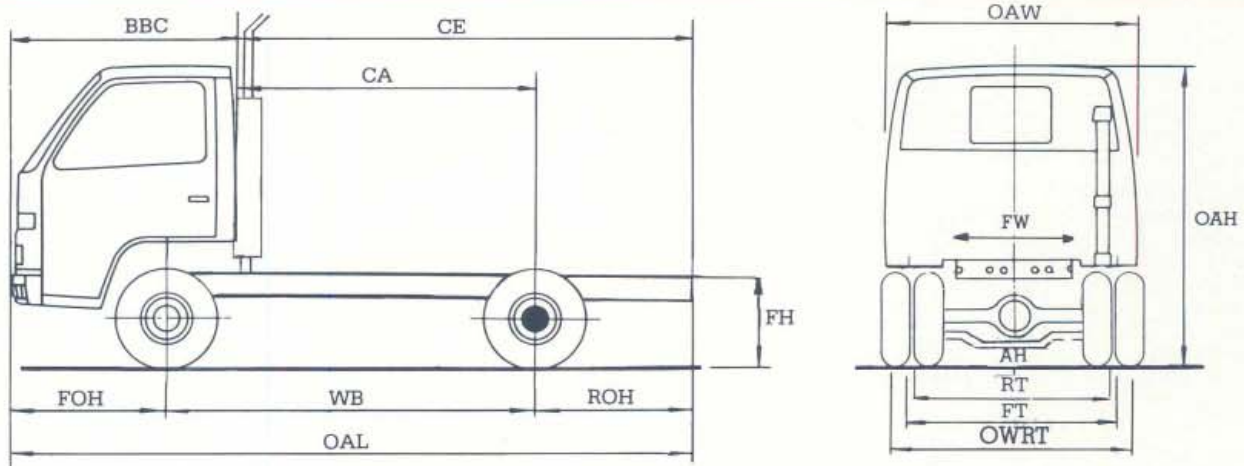
AXLE, REAR

Type: Banjo fully floating
Capacity: 5000 kg
Ratio: 5.857:1

CHASSIS RATINGS

GROSS COMBINATION and GROSS VEHICLE MASS RATING (KG):			Estimated kerb mass (chassis and cab with oil, water and full fuel tank). (kg)		
GVM 7000	GCM 9200	Tyres 750 x 16-10ply	Front 1375	Rear 760	Total 2135

DIMENSIONS



LENGTHS:

Overall length	OAL	6610
Wheelbase	WB	3815
Cab to axle	CA*	3320
Cab to end of frame	CE*	5030
Front Overhang	FOH	1085
Rear Overhang	ROH	1710
Bumper to back of cab	BBC	1605

*CA & CE dimensions are effectively reduced by 200mm with fitment of vertical exhaust

WIDTHS

Overall width	OAW	1995
Frame width	FW	750
Front track	FT	1665
Rear track	RT	1485
Outside width rear tyres	OWRT	1915

HEIGHTS

Overall height	OAH	2130
Ground to top of frame	FBH	780
Front Axle clearance	AH	210

TURNING CIRCLE

Kerb to kerb	(m)	13.6
Wall to wall		15



ISUZU
Reliability is everything.

ISUZU NPR 59P (REPLACES KS 32)

CAB/CHASSIS COMPONENT SPECIFICATIONS

AXLE, FRONT

Type: Reverse Elliot I beam
Capacity: 2400 kg

AXLE, REAR

Type: Banjo fully floating
Capacity: 5000 kg
Ratio: 5.857:1
Final Gear: Hypoid, 292mm Diameter

BRAKES, SERVICE

Type: Hydraulic, front two leading, rear dual two leading
Total lining area: 1840cm²

BRAKE, PARKING

Type: Mechanical, at rear of transmission.

CABIN EXTERIOR

Aerodynamic all steel tilt type wide cab, laminated windshield. 2 speed windshield wiper/washer. Double-action door hinges. Large non-skid entry steps to each side. Front quarter-vent windows. Four sealed beam rectangular headlamps. Energy absorbing polypropylene front bumper. Large exterior mirrors. General hand tools, toolbox and 5000kg capacity jack. 2 way roof ventilators.

INTERIOR

Tilt and telescopic adjustable steering wheel. Adjustable and reclining driver's bucket seat. 2 seater passenger seat which lifts for oil and coolant check. Full length glove compartment. Window washer tank located in passenger door. Front side quarter vent windows. AM Radio. Centre console. Heater demister with 3 speed fan. Driver and passenger sunvisors. Padded roof lining. Easy access pull down fuse cover. Two way roof vents.

INSTRUMENTATION

Speedometer with odometer and trip meter. GAUGES for fuel level and engine temperature. INDICATOR LIGHTS for turn signal, park brake on, exhaust brake on, and headlamp high beam. WARNING LAMP for battery charge, brake failure, glow plug, oil pressure. Left side combination switch for exhaust, brake, windscreen wash/2 speed windscreen wipers. Right side combination switch for turn indicators and headlamps. Foglamp switch. Dual range transmission 'supershift'.

CLUTCH

Type: Dry single plate with diaphragm spring, hydraulic control with automatic adjusting clutch cylinder.
Size: 275mm diameter

ENGINE SPECIFICATION

Type: Isuzu Diesel OHV 4 cylinder direct injection
Displacement 3856cc
Max power 66 kW @ 3200 rpm
Max torque 245 Nm @ 1900 rpm
Bore and Stroke 102 x 118 mm
Compression ratio: 17.0:1
RAC rating 25.8
Automatic engine stop device (fuel cut.)
QOSII rapid starting system

YOUR GMH ISUZU DEALER:

LUBRICATION

Full pressure flow with paper element oil filter
Capacity 9.5 litres with filter.

COOLING

400mm plastic fan.
Radiator: Height x Width x Thickness (mm)
517 x 471 x 53
Frontal Area: 0.244m²

AIR INTAKE

Vertical air intake behind cab

AIR CLEANER

Type: Paper element (cartridge type) mounted high on chassis

FUEL SYSTEM

Fuel injection pump: Bosch 'X' in-line with mechanical all speed governor. Fuel tank capacity: 90 litre fuel/water sedimentor.

ELECTRICAL SYSTEMS

Batteries: 2 x 12 volt 65 Amp/hour
Alternator: 24 volt — 20 Amp
Starter: 24 volt — 3.5 kW

FRAME

Type: Ladder type channel section
Side member dimensions: 173 x 65 x 6mm

STEERING

Type: Tilt and Telescopic Recirculating ball, 430mm diameter steering wheel
Gear Ratio: 29 ~ 34.5 : 1

SUSPENSION, FRONT

Type: Semi-elliptical alloy steel leaf springs
Size: Length x Width (mm) — No. of leaves
1140 x 70-7

Shock absorbers: Hydraulic double acting telescopic

SUSPENSION, REAR

Type: Semi-elliptical alloy steel leaf springs
Size: Length x Width (mm) — No. of leaves
Main 1250 x 70 — 5

Auxiliary 850 x 70 — 5

Shock absorbers: Hydraulic, double acting telescopic

TRANSMISSION

Type: 5 speed overdrive

Gear ratios (to 1)

1st 5.788 2nd 2.998 3rd 1.735 4th 1.000

5th 0.776 Rev 5.798

Supershift gear ratio (to 1) Economy 0.762 Power 1.000

TYRES AND WHEELS

Tyre size: 750 x 16 — 10 ply

Wheel type and size 6.00 GS x 16

GMH 12/20 WARRANTY

Every Isuzu is covered by the GMH warranty which covers your vehicle for the first 12 months or 20,000 kilometres.

PLEASE NOTE: As the policy of General Motors-Holden's is one of continual product improvement, all specifications and equipment are subject to change without notice. Bodies illustrated are not standard.

No GMH Dealer or other person is authorised or permitted to give or make any statement or undertaking in relation to the quality performance characteristics descriptions or fitness for any purpose of any GMH product or in connection with the supply of any GMH product, which is at variance with any written statement or undertaking on any of these subjects given or made by General Motors-Holden's Limited or General Motors-Holden's Sales Pty. Ltd. in its published sales literature, and neither company accepts any liability for any such unauthorised action.

General Motors-Holden's Limited and General Motors-Holden's Sales Pty. Ltd. have franchised dealers in many parts of Australia for the sale of service parts and the provision of service to owners of GMH's products. Every endeavour is made to ensure that such dealers carry adequate stocks of service parts, and are equipped to provide satisfactory service, but neither General Motors-Holden's Ltd. nor General Motors-Holden's Sales Pty. Ltd. makes any promise, other than that contained in the New Vehicle Warranty given by General Motors-Holden's Sales Pty. Ltd., that such parts or service facilities will be available, or available at any specific location or any particular time.

General Motors-Holden's Sales Pty. Ltd.



Reliability is everything.