



# ISUZU FVR 12H CUSTOM

**GMH MODEL:** FVR 12H  
**ORDERING CODE:** 8DJ 03

<b>STANDARD GVM</b>	<b>13900 kg</b>
<b>STANDARD GCM</b>	<b>22500 kg</b>
<b>TARE MASS (estimated)</b>	<b>4585 kg</b>

## DRIVELINE SPECIFICATION

### ENGINE

Model: ISUZU 6BG1  
Type: 6 cylinder OHV diesel  
Displacement: 6494cc  
Max power: 120kW @ 2900 rpm  
Max torque: 431 Nm @ 1800 rpm  
Bore & Stroke 105 x 125mm  
Compression ratio: 170:1  
RAC Rating: 38.7

### TRANSMISSION

Model: ISUZU MBG5F  
Type: 5 speed direct drive  
Gear ratios (to 1)

1st	6.890
2nd	3.918
3rd	2.121
4th	1.165
5th	1.000
Rev	5.411

### AXLE, FRONT

Type: Reverse Elliot I beam  
Capacity: 6000 kg

### AXLE, REAR

Type: Banjo fully floating Eaton two speed  
Capacity: 10500 kg  
Ratio: 5.571/7.593:1

### BRAKES:

Air over hydraulic

### WHEELBASE:

5500mm

## CHASSIS RATINGS

GROSS COMBINATION and GROSS VEHICLE MASS RATING (KG):

**GVM (kg)**  
13900  
  
13900  
13900

**GCM (kg)**  
22500  
  
22500  
22500

**Tyres**  
10.00 x 20-14ply front  
10.00 x 20-12 ply rear  
10.00 x 20-14ply frt & rr  
10.00R x 20-14ply

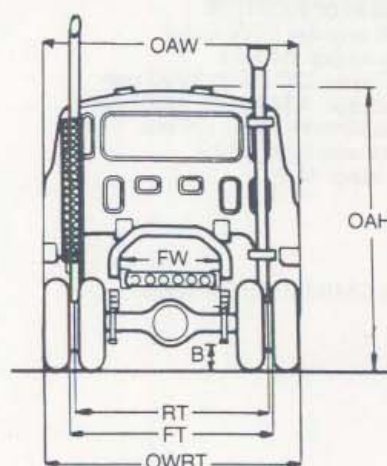
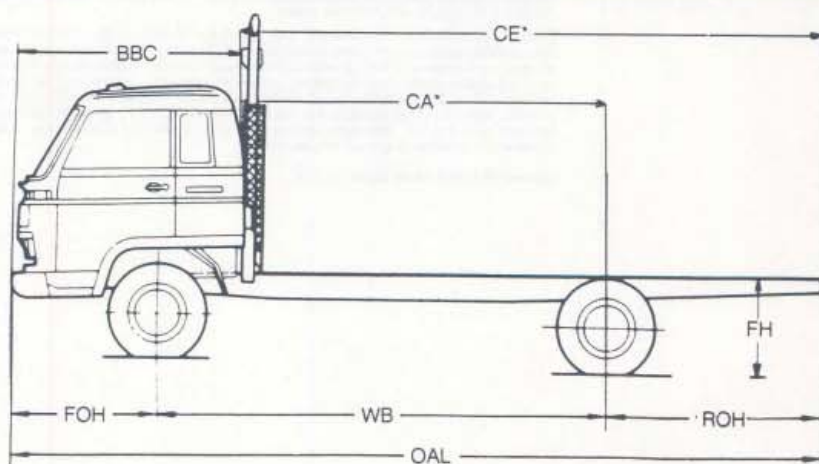
Estimated kerb mass (chassis and cab with oil, water and full fuel tank).

**Front**  
2555

**Rear**  
2030

**Total**  
4585

## DIMENSIONS



### LENGTHS:

Overall length  
Wheelbase  
Cab to axle  
Cab to end of frame  
Front Overhang  
Rear Overhang  
Bumper to back of cab

OAL	9210
WB	5500
CA*	4850
CE*	7300
FOH	1260
ROH	2450
BBC	1910

### HEIGHTS

Overall height  
Ground to top of frame  
Axle clearance

OAH	2570
FH	1020
AH	245

### TURNING CIRCLE

Kerb to kerb  
Wall to wall

(m)	
19.0	
20.4	

### WIDTHS

Overall width  
Frame width  
Front track  
Rear track  
Outside width rear tyres

OAW	2370
FW	850
FT	1960
RT	1855
OWT	2460

\*CA & CE dimensions are effectively reduced by 300mm with fitment of vertical air intake stack and exhaust



**ISUZU**

Reliability is everything

# ISUZU FVR 12H CUSTOM

## CAB/CHASSIS COMPONENT SPECIFICATIONS

### AXLE, FRONT

Type: Reverse Elliot I beam  
Capacity: 6000 kg

### AXLE, REAR

Type: Banjo fully floating, Eaton 2 speed  
Capacity: 10500 kg  
Ratio: 5.571/7.593

### BRAKES, SERVICE

Type: Air over hydraulic. Dual circuit. Front two leading rear dual two leading. Exhaust brake

### BRAKE, PARKING

Type: Spring brake acting on rear wheels.

### STANDARD CABIN EXTERIOR

All steel tilt cab with laminated windshield. 2 speed windshield wiper/washer with intermittent setting. West-coast type rear view mirrors. Dual round sealed beam headlamps. Vertical air intake stack. General hand tools and 7000kg capacity jack. Spare wheel and tyre.

### INTERIOR

Adjustable and suspended high back bucket driver seat, 2 seater passenger seat vinyl faced. Sun visors. Roof, dash and floor ventilation points. AM radio. Full width glove compartment. Heater demister

### INSTRUMENTATION

Speedometer with odometer. Tachometer. Gauges for fuel, engine temperature and air pressure. Indicator lamps for park brake, alternator, oil pressure, headlamp/high beam, hazard warning, turn signals and exhaust brake on. Right combination switch incorporating headlamps, turn signal and dimmer. Left combination switches for windshield washer and wiper, and exhaust brake.

### CLUTCH

Type: Dry single plate with cushioning springs, hydraulic control.

Size: 350mm diameter

### ENGINE SPECIFICATION

Type: 6 cylinder OHV diesel  
Displacement: 6494cc  
Max. Power: 120 kW @ 2900 rpm  
Max. Torque: 431 Nm @ 1800 rpm  
Bore and Stroke 102 x 125 mm  
Compression ratio: 170:1  
RAC rating: 41.0

### LUBRICATION

Pressure feed with full-flow paper element filter & partial filter oil cooler

Capacity 13.5 litres including filters

### COOLING

Heavy duty radiator. Tube and corrugated fin.

Size: 622 length x 559 width x 53 depth

Frontal area: 0.348m<sup>2</sup>

### AIR CLEANER

Donaldson cyclopac 11" single stage type. Long vertical air intake stack.

### FUEL SYSTEM

Injection pump: Bosch 'A' in-line with mechanical all speed governor. Fuel/water sedimentor, pre-fuel filter.

Fuel tank capacity: 200 litres.

### ELECTRICAL SYSTEMS

Batteries: 2 x 12 volt 53 A/H

Alternator: 24 volt — 25 Amp

Starter: 24 volt — 4.5 kW

### FRAME

Type: Ladder type channel section

Side member dimensions: depth x width x thickness (mm)

254 x 85 x 8

### STEERING

Type: Power assisted recirculating ball.

Gear Ratio: 22.4

### SUSPENSION, FRONT

Type: Semi-elliptical alloy steel leaf springs

Shock absorbers: Hydraulic double acting

### SUSPENSION, REAR

Type: Semi-elliptical alloy steel leaf springs

### TRANSMISSION

Type: 5 speed direct drive

Gear ratios (to 1)

1st 6.890 2nd 3.918 3rd 2.121 4th 1.165

5th 1.000 Rev 5.411

### TYRES AND WHEELS

Tyre size: 10.00 x 20 — 12 ply front, 12 ply rear.

Wheel type and size: 750V x 20, 10 stud disc wheels

### GMH 12/20 WARRANTY

Every Isuzu is covered by the GMH warranty which covers the vehicle for the first 12 months or 20,000 kilometres.

Major engine components and driveline components have additional extended warranty. Please consult your GMH/ISUZU dealer for complete and accurate details.

PLEASE NOTE: As the policy of General Motors-Holden's is one of continual product improvement, all specifications and equipment are subject to change without notice. Bodies illustrated are not standard.

No GMH Dealer or other person is authorised or permitted to give or make any statement or undertaking in relation to the quality performance characteristics descriptions or fitness for any purpose of any GMH product or in connection with the supply of any GMH product, which is at variance with any written statement assertion or undertaking on any of these subjects given or made by General Motors-Holden's Limited or General Motors-Holden's Sales Pty. Ltd. in its published sales literature, and neither company accepts any liability for any such unauthorised action.

General Motors-Holden's Limited and General Motors-Holden's Sales Pty. Ltd. have franchised dealers in many parts of Australia for the sale of service parts and the provision of service to owners of GMH's products. Every endeavour is made to ensure that such dealers carry adequate stocks of service parts, and are equipped to provide satisfactory service, but neither General Motors-Holden's Ltd. nor General Motors-Holden's Sales Pty. Ltd. makes any promise, other than that contained in the New Vehicle Warranty given by General Motors-Holden's Sales Pty. Ltd., that such parts or service facilities will be available, or available at any specific location or any particular time.

General Motors Holden's Sales Pty. Ltd.

YOUR GMH ISUZU DEALER:



# Reliability is everything.