



# Isuzu SBR 422



## Chassis/Cab.

GVM 8000kg WITH 8.25 x 16-12 PLY TYRES  
8800kg WITH OPTIONAL 8.25R x 16-14 PLY TYRES

### Engine:

Model: Isuzu 6BBI Diesel engine.  
Type: Four cycle, water cooled, overhead valve, in-line, direct injection.  
No. of cylinders: 6.  
Bore and stroke: 102mm x 110mm.  
Displacement: 5393 cm<sup>3</sup>/329CID.  
Max. net horsepower: 93.5kW @ 3,200 rpm.  
Max. net torque: 323Nm @ 6900 rpm.  
Compression ratio: 17.5:1.  
RAC rating: 39.

### Air Cleaner:

Paper element with cyclone device. Donaldson type.

### Axle Front:

Capacity: 3200kg.  
Type: Reverse Elliott, I-beam.

### Axle Rear:

Capacity: 6200kg.  
Type: Banjo, fully floating, single reduction, hypoid gear.  
Final gear ratio: (to 1): 4.750.

### Brakes, Service:

Type: Hydraulic with vacuum assisted, front-two leading, rear-dual two leading. Exhaust brake.  
Total lining area: 3082 cm<sup>2</sup>.

### Brake, Parking:

Type: Mechanical internal expanding at rear of transmission.

### Clutch:

Type: Dry single plate with cushioning springs. Hydraulically operated.  
Size: Outside diameter 300mm.  
Total frictional area: 846 cm<sup>2</sup>.

### Cooling System:

Radiator: Tube and corrugated fin, pressured type.  
Frontal area, radiator: 2614 cm<sup>2</sup>.  
Core Thickness: 70mm.

### Drive Line:

Type: Tubular shaft, needle bearing universal joint.

### Electric System:

Battery: 2 x 12 volt.  
Capacity: 65 amp./hr. each battery. Negative earth.  
Alternator: 24 volt/25 amp.  
Starter: 24 volt/4.5kW.

### Frame:

Type: Ladder type channel section.  
Frame width: 800mm rear.  
Side member dimensions: Depth x Width x Thickness - 225mm x 70mm x 6mm.

### Springs:

Type: Semi-elliptical alloy steel leaf springs.  
Size: Length x width. No. of leaves.  
Front: 1200mm x 70mm-8.  
Rear: 1300mm x 70mm-8.  
Rear auxiliary: 850mm x 70mm-7.  
Shock absorbers: Hydraulic double acting telescopic shock absorbers at front.

### Steering:

Type: Recirculating ball.  
Gear ratio: 27.4:1.

### Engine Lubrication:

Pressure feed with full-flow paper element. Oil cooler.  
Capacity: 14.5 litres.

### Fuel System:

Injection pump: Reformed Bosch in-line with mechanical governor.  
Fuel tank capacity: 90 litres.

### Transmission: Isuzu MBD5A

5-speed, direct drive, synchromesh on 2nd, 3rd, 4th, 5th gears, floor mounted remote control.

Ratios: (to 1).

1st	2nd	3rd	4th	5th	Reverse
6.378	3.627	2.239	1.452	1.000	5.836

### Wheels and Tyres:

Dual rear wheels.  
Wheels and rims: 6.00GS x 16 rims, 6 stud disc wheels.  
Tyres: 8.25 x 16-12 ply.

### Standard Equipment:

All steel cab (tilt type). Adjustable reclining driver seat. Two-speed windshield wiper. Windshield washer. Hazard warning flasher. Dual electric horn. Hydraulic jack and wheel wrench. Floor mat. Speedometer and odometer. Meter for fuel, water, temperature. Warning lamp for charging, oil pressure, vacuum and clogged oil filter. Indicator lamp for turn signal, main beam, parking brake. Starter heater control. Laminated windshield glass. Spare tyre carrier. Tachometer. Heater and demister. Radio. General hand tools.

### GMH 12/20 Warranty:

Every Isuzu is covered by the GMH Warranty which covers your vehicle for the first 12 months or 20,000 kilometres.



# Reliability is Everything

# Isuzu SBR 422



## DIMENSIONS/CHASSIS WEIGHTS

<b>Lengths:</b>		mm
Wheelbase	WB	4,200
Front overhang	FOH	1,210
Rear overhang	ROH	1,750
Vert. exhaust-axle	VA	3,200
Vert. exhaust-to end of frame	VE	4,950
Overall length	OAL	7,160
Top of frame to ground	FH	880

<b>Widths:</b>		
Frame width	FW	800
Front track	FT	1,700
Inside rear track	IRT	1,340
Outside rear track	ORT	1,880
Overall width	OAW	2,170

<b>Heights:</b>		
Overall height	OAH	2,360
Rear axle clearance	B	210

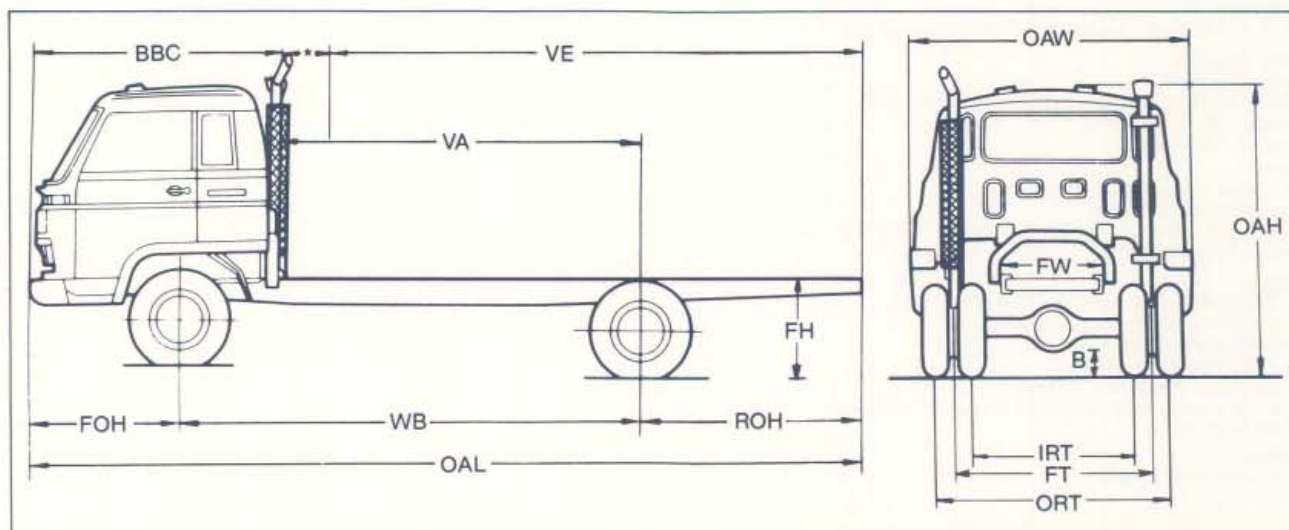
<b>Turning Circle:</b>		metres
Wall to Wall		15.8

PLEASE NOTE: As the policy of General Motors-Holden's is one of continual product improvement, all specifications and equipment are subject to change without notice. Bodies illustrated are not standard.

No GMH dealer or other person is authorised or permitted to give or make any statement assertion or undertaking in relation to the quality performance characteristics descriptions or fitness for any purpose of any GMH product or in connection with the supply of any GMH product, which is at variance with any written statement assertion or undertaking on any of these subjects given or made by General Motors-Holden's Limited or General Motors-Holden's Sales Pty. Ltd. in its published sales literature, and neither company accepts any liability for any such unauthorised action.

General Motors-Holden's Limited and General Motors-Holden's Sales Pty. Ltd. have franchised dealers in many parts of Australia for the sale of service parts and the provision of service to owners of GMH's products. Every endeavour is made to ensure that such dealers carry adequate stocks of service parts, and are equipped to provide satisfactory service, but neither General Motors-Holden's Ltd. nor General Motors-Holden's Sales Pty. Ltd. makes any promise, other than that contained in the New Vehicle Warranty given by General Motors-Holden's Sales Pty. Ltd., that such parts or service facilities will be available, or available at any specific location or any particular time.

General Motors-Holden's Sales Pty. Ltd.



GROSS COMBINATION and GROSS VEHICLE MASS RATING (KG):			ESTIMATED KERB WEIGHTS CHASSIS AND CAB (KG): (with oil, water and fuel tank) in kg.		
GCM	GVM	Tyres	Front	Rear	Total
15,000	8,000	8.25 x 16-12 ply	1830	1030	2860
	8,800	Opt. 8.25R x 16-14 ply			