



ISUZU SBR 422A CUSTOM

GMH MODEL: FSR 11HQ
ORDERING CODE: 8DD 02

STANDARD GVM 9100 kg
STANDARD GCM 15000 kg
KERB MASS (approx) 3135 kg

DRIVELINE SPECIFICATION

ENGINE

Model: ISUZU 6BD1
Type: 6 cylinder OHV Diesel
Displacement: 5785cc
Max power: 100kW @ 3200 rpm
Max torque: 353 Nm @ 2000 rpm
Bore & Stroke 102x118mm
Compression ratio: 17.0:1
RAC Rating: 38.7

TRANSMISSION

Model: ISUZU MBG 5C
Type: 5-speed direct drive
Gear ratios (to 1)
1st 6.890
2nd 3.918
3rd 2.419
4th 1.569
5th 1.000
Rev 6.304

AXLE, FRONT

Type: Reverse Elliot I beam
Capacity: 3400 kg

AXLE, REAR

Type: Banjo fully floating
Capacity: 7700 kg
Ratio: 4.750:1

BRAKES

Air/hydraulic

WHEELBASE

4200 mm

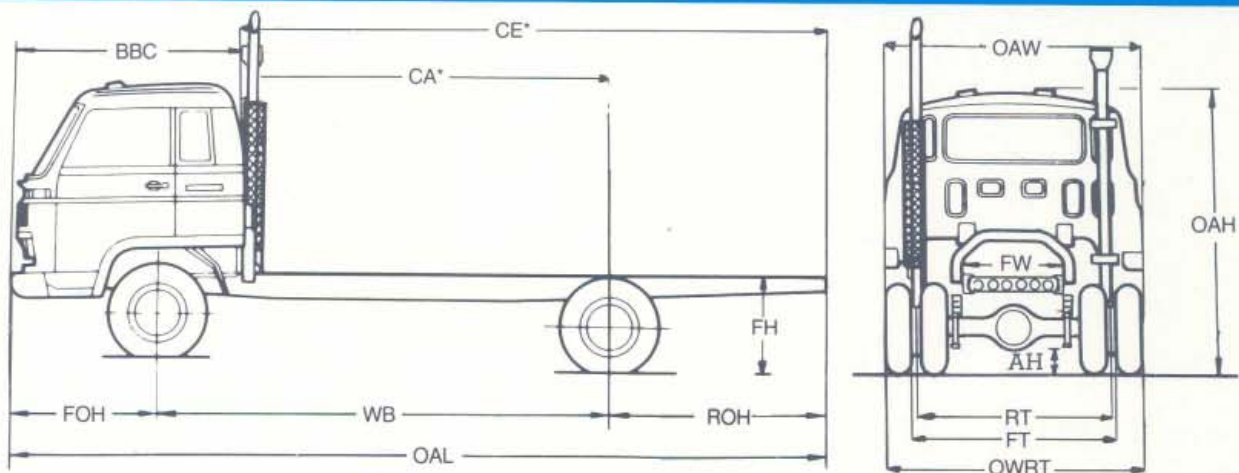
CHASSIS RATINGS

GROSS COMBINATION and GROSS VEHICLE MASS RATING (KG):

Estimated kerb mass (chassis and cab with oil, water and full fuel tank). (kg)

| GVM | GCM | Tyres | Front | Rear | Total |
|------|-------|-----------------|-------|------|-------|
| 9100 | 15000 | 750 x 20-12 ply | 1935 | 1202 | 3140 |

DIMENSIONS



LENGTHS:

| | | (mm) |
|-----------------------|-----|------|
| Overall length | OAL | 7160 |
| Wheelbase | WB | 4200 |
| Cab to axle | CA* | 3500 |
| Cab to end of frame | CE* | 5250 |
| Front Overhang | FOH | 1210 |
| Rear Overhang | ROH | 1750 |
| Bumper to back of cab | BBC | 1910 |

HEIGHTS

| Overall height | OAH | 2400 |
|------------------------|-----|------|
| Ground to top of frame | FH | 920 |
| Rear axle clearance | AH | 250 |

TURNING CIRCLE

| | (m) |
|--------------|------|
| Kerb to kerb | 16.4 |
| Wall to wall | 18.0 |

*CA & CE dimensions are effectively reduced by 300mm with the fitment of vertical exhaust pipe and protector

WIDTHS

| Overall width | OAW | 2170 |
|--------------------------|------|------|
| Frame width | FW | 800 |
| Front track | FT | 1700 |
| Rear track | RT | 1610 |
| Outside width rear tyres | OWRT | 2100 |



ISUZU
Reliability is everything.

ISUZU SBR 422A CUSTOM

CAB/CHASSIS COMPONENT SPECIFICATIONS

AXLE, FRONT

Type: Reverse Elliot I beam
Capacity: 3400 kg

AXLE, REAR

Type: Banjo fully floating
Capacity: 7700 kg
Ratio: 4.750:1

Final Gear: 343mm diameter, single reduction, Hypoid

BRAKES, SERVICE

Type: Air over hydraulic dual circuit, front two leading, rear dual two leading. Exhaust brake.
Total lining area: 3410cm²
Brake drum diameter: 370mm

BRAKE, PARKING

Type: Mechanical expanding at rear of transmission.

CABIN EXTERIOR

All steel tilt cab with laminated windshield. 2 speed windshield wiper/washer with intermittent setting. West-coast type rear view mirrors. Dual round sealed beam headlamps. Fog lamps. Vertical air intake stack. General hand tools and 7000kg capacity jack. Spare wheel and tyre.

INTERIOR

Custom cab interior. Adjustable driver's suspension seat with adjustable lumbar support. Tilt telescopic adjustable steering wheel. Adjustable roof vents. Rear side vent windows. Passenger bucket seat and second passenger centre seat which lifts up for coolant and oil check. AM Radio. Heater/demister with 4 speed fan. Driver and passenger sunvisors. Suspended roof lining.

INSTRUMENTATION

Speedometer and odometer. Tachometer. GAUGES for engine temperature, brake air pressure and fuel level. INDICATOR LAMPS for turn indicators, headlamp high beam, exhaust brake on and park brake on. WARNING LAMPS for low brake fluid, low brake air pressure, battery charge, clogged air filter, oil pressure. Left side combination switch for exhaust brake & two speed wipers with intermittent setting. Hazard warning switch. Fog lamp switch. Right combination switch for headlamps, turn signal and headlamp dip. Key operation auto engine stop.

CLUTCH

Type: Hydraulic control with helper spring, dry single plate with cushioning springs.
Size: 325mm diameter.

ENGINE SPECIFICATION

Type: 6 cylinder OHV diesel, direct injection
Displacement: 5785cc
Max. Power: 100 kW @ 3200 rpm
Max torque: 353 Nm @ 2000 rpm
Bore and Stroke: 102 x 118 mm
Compression ratio: 17.0:1
RAC rating: 38.7

YOUR GMH ISUZU DEALER:

LUBRICATION

Pressure feed with full flow paper element filter. Capacity 14.5 litres including filter.

COOLING

Heavy duty radiator. Size: 566 length x 523 width x 71 thickness (mm)

AIR CLEANER

Paper element, Donaldson 8" vertical air intake stack.

FUEL SYSTEM

Injection pump. Bosch 'A' in-line with mechanical governor. Prefuel filter.

FUEL TANK CAPACITY

200 litres.

ELECTRICAL SYSTEMS

Batteries: 2 x 12V-53AH

Alternator: 24V-25A

Starter: 24V-4.5kW

FRAME

Type: Ladder type channel section

Side member dimensions: 225 x 70 x 6mm. Tapering to 120 mm at rear.

STEERING

Type: Recirculating ball, heavy duty. Tilt/telescopic steering wheel.

Gear ratio: 29.7:1

SUSPENSION, FRONT

Type: Semi-elliptical alloy steel leaf springs

Size: Length x Width (mm) — No. of leaves: 1200 x 70 — 8

Shock absorbers: Hydraulic double acting telescopic

SUSPENSION, REAR

Type: Semi-elliptical alloy steel leaf springs

Size: length x width (mm) no of leaves

Main: 1300 x 70-8

Auxiliary: 850 x 70 — 7

TRANSMISSION

Type: Isuzu 5 speed direct drive

Gear ratios (to 1)

1st 6.890 2nd 3.918 3rd 2.419 4th 1.569

5th 1.000 Rev 6.304

TYRES AND WHEELS

Tyre size: 750 x 20 — 12 ply.

Wheel type and size 6.00S x 20, 6 stud disc wheels.

GMH 12/20 WARRANTY

Every Isuzu is covered by the GMH warranty which covers the vehicle for the first 12 months or 20,000 kilometres.

Major engine components and driveline components have additional extended warranty. Please consult your GMH/ISUZU dealer for complete and accurate details.

PLEASE NOTE: As the policy of General Motors-Holden's is one of continual product improvement, all specifications and equipment are subject to change without notice. Bodies illustrated are not standard.

No GMH Dealer or other person is authorised or permitted to give or make any statement assertion or undertaking in relation to the quality performance characteristics descriptions or fitness for any purpose of any GMH product or in connection with the supply of any GMH product, which is at variance with any written statement assertion or undertaking on any of these subjects given or made by General Motors-Holden's Limited or General Motors-Holden's Sales Pty. Ltd. in its published sales literature, and neither company accepts any liability for any such unauthorised action.

General Motors-Holden's Limited and General Motors-Holden's Sales Pty. Ltd. have franchised dealers in many parts of Australia for the sale of service parts and the provision of service to owners of GMH's products. Every endeavour is made to ensure that such dealers carry adequate stocks of service parts, and are equipped to provide satisfactory service, but neither General Motors-Holden's Ltd. nor General Motors-Holden's Sales Pty. Ltd. makes any promise, other than that contained in the New Vehicle Warranty given by General Motors-Holden's Sales Pty. Ltd., that such parts or service facilities will be available, or available at any specific location or any particular time.

General Motors Holden's Sales Pty. Ltd.



Reliability is everything.