

ISUZU SBR 422 CHASSIS/CAB.

SBR 422



GVM 8000 kg (17637 lb.) WITH 8.25 x 16 — 12 PLY TYRES

ENGINE:

Model: Isuzu 6BB1 Diesel Engine.
Type: Four cycle, water cooled, overhead valve, in-line, direct injection.
No. of cylinders: 6.
Bore and stroke: 102 mm x 110 mm (4.02 ins. x 4.33 ins.).
Displacement: 5393 cm³/329 CID.
Max. net horsepower: 97.5 kW (135 bhp) @ 3,200 rpm.
Max. net torque: 343 Nm (253.2 lbs./ft.) @ 2,000 rpm.
Compression ratio: 17.5:1.
RAC rating: 39.

AIR CLEANER:

Paper element with cyclone device.

AXLE, FRONT:

Capacity: 3200 kg (7055 lbs.).
Type: Reverse Elliott I-beam.

AXLE, REAR:

Capacity: 6200 kg (13669 lbs.).
Type: Banjo, fully floating, single reduction, hypoid gear.
Final gear ratio (to 1): 4.750.

BRAKES, SERVICE:

Type: Hydraulic with vacuum assisted, front two leading, rear dual two leading. Exhaust brake.
Total lining area: 2864 cm² (443.9 sq. ins.).

BRAKE, PARKING:

Type: Mechanical internal expanding at rear of transmission.

CLUTCH:

Type: Dry single plate with cushioning springs. Hydraulically operated.
Size: Outside diameter 300 mm (11.8 ins.).
Total frictional area: 846 cm² (131 sq. ins.).

COOLING SYSTEM:

Radiator: Tube and corrugated fin, pressured type.
Frontal area, radiator: 2,614 cm² (405.17 sq. ins.).
Core thickness: 70 mm (2.76 ins.).

DRIVE LINE:

Type: Tubular shaft, needle bearing universal joint.

ELECTRIC SYSTEM:

Battery: 2 x 12 volt.
Capacity: 65 amp./hr. each battery. Negative earth.
Alternator: 24 volt/400 watt.
Starter: 24 volt/3.7 kW.

FRAME:

Type: Ladder type channel section.
Frame width: 800 mm (31.5 ins.).
Side member dimensions: Depth x Width x Thickness—
225 mm (8.865 ins.) x 70 mm (2.76 ins.) x 6 mm (.2364 ins.).

SPRINGS:

Type: Semi-elliptical alloy steel leaf springs.
Size: Length x Width—No. of leaves.
Front: 1200 mm (47.28 ins.) x 70 mm (2.76 ins.)—8.
Rear: 1300 mm (51.22 ins.) x 70 mm (2.76 ins.)—8.
Rear auxiliary: 850 mm (33.49 ins.) x 70 mm (2.76 ins.)—7.
Shock absorbers: Hydraulic double acting telescopic shock absorbers at front.

STEERING:

Type: Recirculating ball.
Gear ratio: 27.4:1.

ENGINE LUBRICATION:

Pressure feed with full-flow paper element, oil cooler.
Capacity: 14.5 litres (26 Imp. pts.).

FUEL SYSTEM:

Injection pump: Reformed Bosch in-line with mechanical governor.
Fuel tank capacity: 100 litres (22.0 Imp. gals.).

TRANSMISSION: — ISUZU MBD5A

5-speed, direct drive, synchromesh on 2nd, 3rd, 4th, 5th gears, floor mounted remote control.

Ratios (to 1):

1st	2nd	3rd	4th	5th	Reverse
6.378	3.627	2.239	1.452	1.000	5.836

WHEELS AND TYRES:

Dual rear wheels.
Wheels and rims: 6.00 GS x 16 rims, 6 stud disc wheels.
Tyres: 8.25 x 16—12 ply.

STANDARD EQUIPMENT:

All steel cab (tilt type). Adjustable driver seat. Two-speed windshield wiper. Windshield washer. Hazard warning flasher. Dual electric horn. Hydraulic jack and wheel wrench. Floor mat. Speedometer and odometer. Meter for fuel, water temperature. Warning lamp for charging, oil pressure, vacuum and clogged oil filter. Indicator lamp for turn signal, main beam, parking brake. Starter heater control. Laminated windshield glass. Spare tyre carrier. Tachometer. Heater and demister. Radio. General hand tools.

GMH 12/20 WARRANTY:

Every Isuzu is covered by the GMH Warranty which covers your vehicle for the first 12 months or 20,000 kilometres.

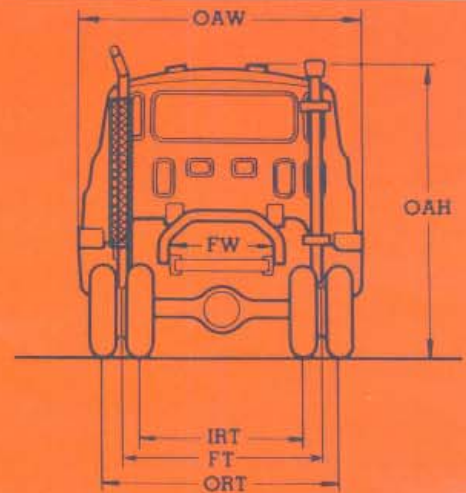
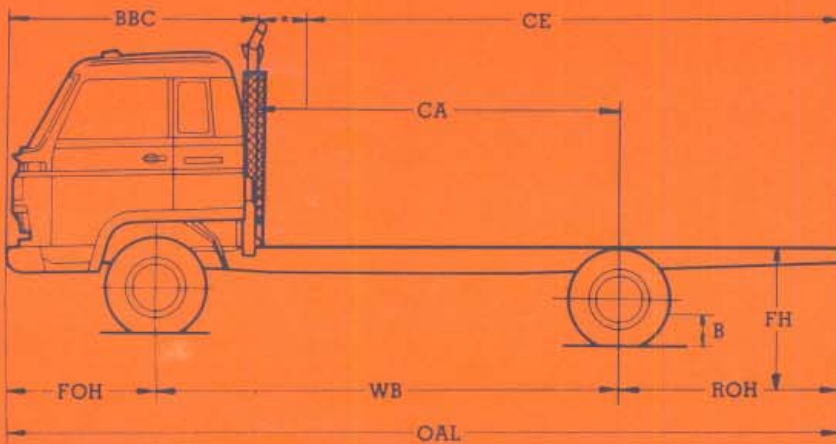
GMH
GMH
TRUCKPOWER.
Chevrolet. Isuzu. Bedford.

General Motors-Holden's Sales Pty. Limited

ISUZU SBR 422 CHASSIS/CAB.

SBR 422

DIMENSIONS/CHASSIS WEIGHTS



LENGTHS:

		mm	inches
Wheelbase	WB	4,200	(165.4)
Front overhang	FOH	1,210	(47.6)
Rear overhang	ROH	1,750	(68.9)
Bumper—back of cab	BBC	2,020	(79.5)
Cab—axle	CA	3,390*	(133.5)
Cab to end of frame	CE	5,140*	(202.4)
Overall length	OAL	7,160	(281.9)
Top of frame to ground	FH	880	(34.6)

*CE and CA dimensions are effectively reduced by 300 mm (11.8 ins.) with fitment of vertical exhaust pipe and protector.

WIDTHS:

		mm	inches
Frame width	FW	800	(31.5)
Front track	FT	1,920	(75.6)
Inside rear track	IRT	1,610	(63.4)
Outside rear track	ORT	2,100	(82.7)
Overall width	OAW	2,170	(85.4)

HEIGHTS:

		mm	inches
Overall height	OAH	2,360	(92.9)
Rear axle clearance	B	210	(8.3)

TURNING CIRCLE: Kerb to kerb

metres	feet
14.2	(46.6)

PLEASE NOTE: As the policy of General Motors-Holden's is one of continual product improvement, all specifications and equipment are subject to change without notice. Bodies illustrated are not standard.

No GMH dealer or other person is authorised or permitted to give or make any statement assertion or undertaking in relation to the quality performance characteristics descriptions or fitness for any purpose of any GMH product or in connection with the supply of any GMH product, which is at variance with any written statement assertion or undertaking on any of these subjects given or made by General Motors-Holden's Limited or General Motors-Holden's Sales Pty. Ltd. in its published sales literature, and neither company accepts any liability for any such unauthorised action.

General Motors-Holden's Limited and General Motors-Holden's Sales Pty. Ltd. have franchised dealers in many parts of Australia for the sale of service parts and the provision of service to owners of GMH's products. Every endeavour is made to ensure that such dealers carry adequate stocks of service parts, and are equipped to provide satisfactory service, but neither General Motors-Holden's Ltd. nor General Motors-Holden's Sales Pty. Ltd. makes any promise, other than that contained in the New Vehicle Warranty given by General Motors-Holden's Sales Pty. Ltd., that such parts or service facilities will be available, or available at any specific location or any particular time.

ESTIMATED KERB WEIGHTS, CHASSIS AND CAB: (With oil, water and full fuel tank) in kg and (lbs.).

GCM	GVM	Tyres	Front	Rear	Total
15000 (33069)	8000 (17637)	8.25 x 16—12 Ply	1735 (3825)	930 (2050)	2665 (5875)