



# Isuzu JCS 420



## 4x4 Chassis/Cab.

GVM 11,000 kg (on or off road) GCM 15,000 kg (on road)

### Engine:

Model: Isuzu 6BD-1 Diesel Engine.  
 Type: Four Cycle, water cooled, overhead valve, in-line, direct injection.  
 No. of Cylinders: 6.  
 Bore and stroke: 102 mm x 118 mm.  
 Displacement: 5785 cm<sup>3</sup>.  
 Max. net power: 100 kW @ 3,200 rpm. (DIN).  
 Max. net torque: 351 Nm @ 1,850 rpm. (DIN).  
 Compression ratio: 17.5:1.  
 RAC rating: 39.

### Air Cleaner:

Vertical air intake system. Donaldson single stage-8".

### Axle Front:

Capacity: 3900 kg.  
 Type: Banjo, fully floating single reduction, spiral bevel gear.  
 Ratio: 6.50:1

### Axle Rear:

Single speed.  
 Capacity: 9200 kg.  
 Type: Banjo, fully floating single reduction, spiral bevel gear.  
 Non-spin differential. Ratio: 6.50:1.

### Brakes, Service:

Dual hydraulic air assisted, front-two leading, rear-dual two leading type. Exhaust brake.

### Brake, Parking:

Type: Mechanical internal expanding at rear of transmission.

### Clutch:

Type: Dry single plate with 6 cushioning springs hydraulic operated.  
 Total friction area: 1164 sq. cm.  
 Size: Outside diameter 350 mm.

### Cooling System:

Radiator: Tube and corrugated fin, pressured type.  
 Frontal area, radiator: 2620 sq. cm.  
 Core thickness: 70 mm.

### Drive Line:

Type: Tubular shaft, needle bearing universal joint.

### Electric System:

Battery: 2 x 12 volt.  
 Capacity: 60 amp./hr. each battery. Negative earth.  
 Alternator: 24 volt/25 amp.  
 Starter: 24 volt/4.5 kW.

### Frame:

Type: Ladder type channel section.  
 Frame width: Front 840 mm. Rear 800 mm.  
 Side member dimensions: Depth x Width x Thickness-  
 225 mm x 70 mm x 6 mm.  
 Frame reinforcement: Full inner channel plating in area of rear axle.  
 Inner upright "L" plating to the rear of the cab.  
 Depth x Width x Thickness: 213 mm x 64 mm x 4.5 mm.

### Springs:

Front: Heavy duty steel leaf springs with single acting lever type shock absorbers.  
 Rear: Semi elliptic leaf springs.  
 Size: Length x Width.  
 Front: 1300 mm x 70 mm.  
 Rear: 1420 mm x 80 mm.  
 Rear auxiliary: 1000 mm x 80 mm.

### Engine Lubrication:

Pressure feed with full-flow paper element. Oil cooler.  
 Capacity: 14.5 litres.

### Fuel System:

Injection pump: Reformed Bosch in-line with mechanical governor.  
 Fuel tank capacity: 200 litres.

### Steering:

Type: Recirculating ball with integral power assistance.  
 Gear Ratio: 21.6:1.

### Transmission: Isuzu MBD5C

5 speed synchromesh on 2nd, 3rd, 4th, 5th gears. Floor mounted remote control. Power take-off with control cable.

Ratios: (to 1)

1st	2nd	3rd	4th	5th	Reverse
6.890	3.918	2.419	1.569	1.000	6.304

Transfer case: 2 speed (1.000/2.091:1)

### Wheels and Tyres:

Dual rear wheels.  
 Wheels and rims: 7.00 x 20.  
 8 stud disc wheels. Tyres: 9.00 x 20-12 ply (lugs).  
 Spare wheel and tyre.

### Standard Equipment:

All steel cab (tilt type) with wide windshield. Laminated windshield glass. Two-speed windshield wiper. Windshield washer. Adjustable driver seat. Seat belts. Hazard warning flasher. Dual tone electric horn. Hydraulic jack and wheel wrench. Floor mat. Speedometer with odometer. Tachometer. Meter for fuel, water, temperature. Warning lamp for charging, oil pressure and air pressure. Indicator lamp for turn signal, high beam, parking brake. Starter heater control. Heater and demister. AM Radio. General hand tools. Front wheel steps. West-coast type rear view mirrors. Spare tyre carrier. Tyre inflator. Auto drain cock. Two rear tow hooks.

### GMH 12/20 Warranty:

Every Isuzu is covered by the GMH Warranty which covers your vehicle for the first 12 months or 20,000 kilometres.

General Motors-Holden's Sales Pty. Ltd.

50 Kw / 1500

60 Kw / 1700



# Reliability is everything.

# Isuzu JCS 420



## DIMENSIONS/CHASSIS WEIGHTS

### Lengths:

Wheelbase	WB	4200
Front overhang	FOH	1260
Rear overhang	ROH	1900
Cab to axle	VA	3235
Cab to end of frame	VE	5135
Overall length	OAL	7485

### Widths:

Frame width (rear)	FW	800
Front track	FT	1735
Inside rear track	IRT	1416
Outside rear track	ORT	2064
Overall width	OAW	2370

### Heights:

Overall height (approx)	OAH	2662
Rear axle clearance (approx)	B	273

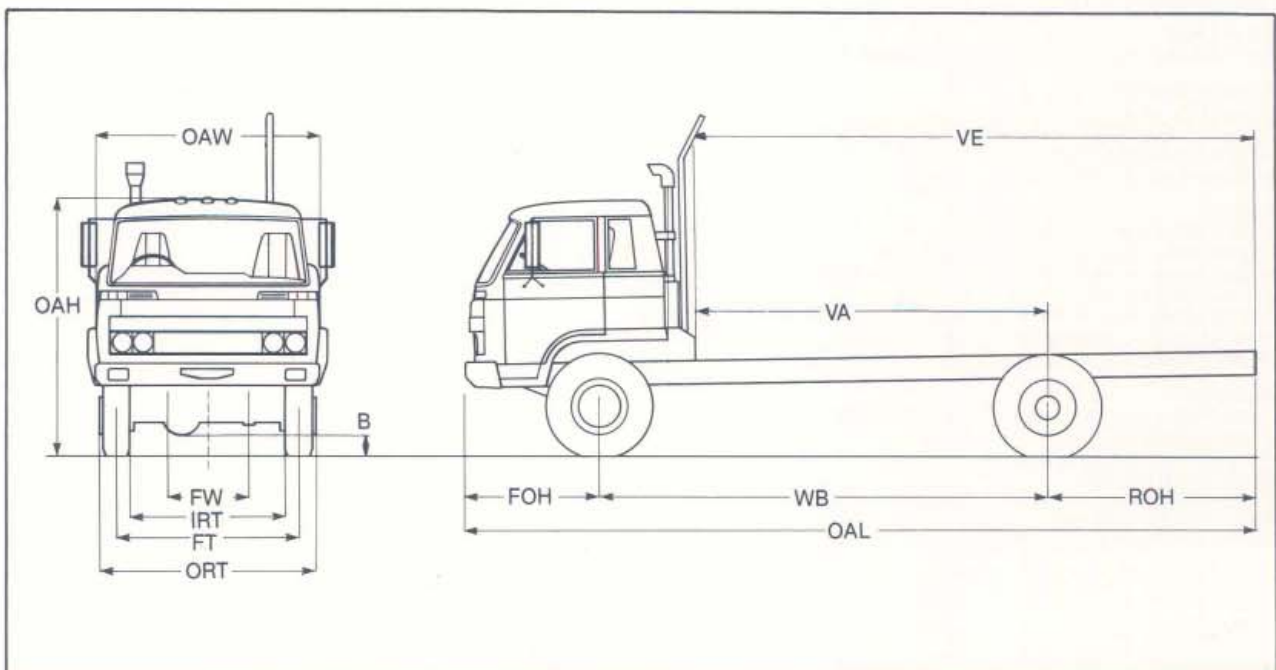
### Turning Circle:

Kerb to Kerb	metres	18.8
--------------	--------	------

PLEASE NOTE: As the policy of General Motors-Holden's is one of continual product improvement, all specifications and equipment are subject to change without notice. Bodies illustrated are not standard.

No GMH dealer or other person is authorised or permitted to give or make any statement assertion or undertaking in relation to the quality performance characteristics descriptions or fitness for any purpose of any GMH product or in connection with the supply of any GMH product, which is at variance with any written statement assertion or undertaking on any of these subjects given or made by General Motors-Holden's Limited or General Motors-Holden's Sales Pty. Ltd. in its published sales literature, and neither company accepts any liability for any such unauthorised action.

General Motors-Holden's Limited and General Motors-Holden's Sales Pty. Ltd. have franchised dealers in many parts of Australia for the sale of service parts and the provision of service to owners of GMH's products. Every endeavour is made to ensure that such dealers carry adequate stocks of service parts, and are equipped to provide satisfactory service, but neither General Motors-Holden's Ltd. nor General Motors-Holden's Sales Pty. Ltd. makes any promise, other than that contained in the New Vehicle Warranty given by General Motors-Holden's Sales Pty. Ltd., that such parts or service facilities will be available, or available at any specific location or any particular time.



### ESTIMATED KERB WEIGHTS, CHASSIS AND CAB:

(with oil, water and full fuel tank) in kg.

GVM	GCM	Tyres	Front	Rear	Total
11,000	15,000	9.00 x 20-12 ply Lug	2474	1576	4050