



ISUZU NKR 57E FLAT LOW

GMH Model: NKR 57E-3E
Ordering Code: 8DH 01

STANDARD GVM 4200 kg
STANDARD GCM 6300 kg
TARE MASS 1625 kg

DRIVELINE SPECIFICATION

ENGINE

Model: ISUZU 4BC2
Type: Diesel 4 cylinder in-line direct injection
Displacement: 3268cc
Max power: 65kW @ 3500 rpm
Max torque: 200 Nm @ 2200 rpm
Bore & Stroke 102x100mm
Compression ratio: 170:1
RAC Rating: 25.8

TRANSMISSION

Model: ISUZU MSB55
Type: 5-speed overdrive
Gear ratios (to 1)
1st 5.037
2nd 2.683
3rd 1.591
4th 1.000
5th 0.782
Rev 4.802

AXLE FRONT

Type: Reverse Elliot I Beam
Capacity: 2,200 kg

AXLE REAR

Type: Banjo fully floating
Capacity: 4000 kg
Ratio: 4.555:1

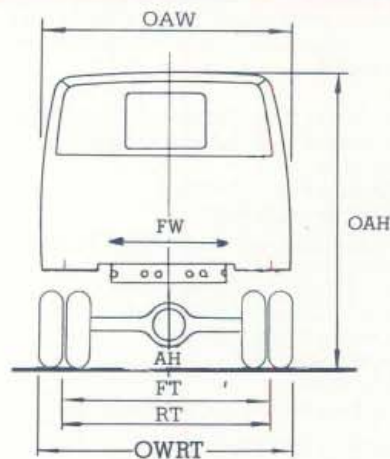
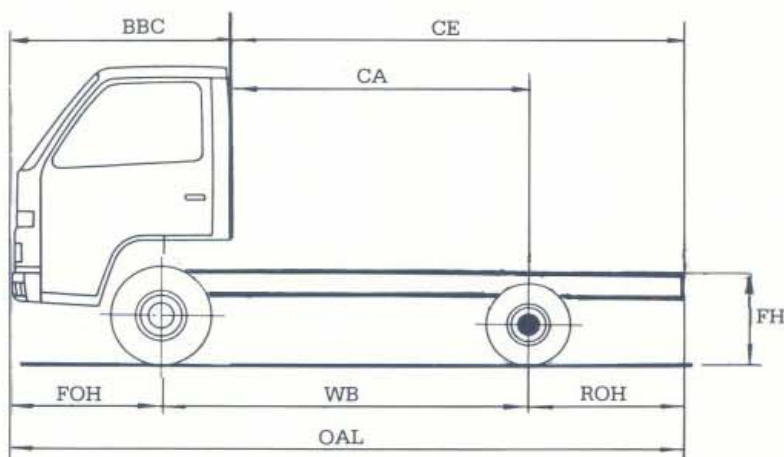
CHASSIS RATINGS

GROSS COMBINATION AND GROSS VEHICLE MASS RATING (kg).

Estimated kerb mass (chassis and cab with oil, water and full fuel tank). (kg)

GVM	GCM	Tyres	Front	Rear	Total
4200	6300	700 x 15-8ply front 6.00 x 13-8ply rear	1135	490	1625

DIMENSIONS



LENGTHS

		(mm)
Overall length	OAL	4620
Wheelbase	WB	2490
Cab to axle	CA	2035
Cab to end of frame	CE	3150
Front Overhang	FOH	1015
Rear Overhang	ROH	1115
Bumper to back of cab	BBC	1490

HEIGHTS

		(mm)
Overall height	OAH	1995
Ground to top of frame	FH	755 Approx.
Rear axle clearance	AH	165

TURNING CIRCLE

		(m)
Kerb to kerb		10.4
Wall to wall		11.6

WIDTHS

Overall width	OAW	1690
Frame width	FW	800
Front track	FT	1385
Rear track	RT	1265
Outside width rear tyres	OWRT	1635



ISUZU

Reliability is everything.

ISUZU NKR 57E FLAT LOW

CAB/CHASSIS COMPONENT SPECIFICATIONS

AXLE, FRONT

Type: Reverse Elliot I beam
Capacity: 2200 kg

AXLE, REAR

Type: Banjo fully floating
Capacity: 4000 kg
Ratio: 4.555:1
Final Gear: Hypoid

BRAKES, SERVICE

Type: Hydraulic, dual circuit, front two leading, rear dual two leading
Total lining area: 1304 cm²

BRAKE, PARKING

Type: Mechanical expanding at rear of transmission.

CABIN EXTERIOR

Aerodynamic all steel tilt type cab laminated windshield. 2 speed windshield wiper/washer. Double-action door hinges. Large non-skid entry steps to each side. Front quarter-vent windows. Four sealed beam rectangular headlamps. Fog lamps. Energy absorbing polypropylene front bumper. Large exterior mirrors. General hand tools and 4000kg capacity jack.

INTERIOR

Adjustable and reclining driver's bucket seat. 2 seater passenger seat which lifts for oil and coolant check. Full length glove compartment. Window washer tank located in passenger door. Front side quarter vent windows. AM Radio. Heater demister with 3 speed fan. Driver and passenger sunvisors. Padded roof lining. Easy access pull down fuse cover.

INSTRUMENTATION

Speedometer with odometer and trip meter. GAUGES for fuel level and engine temperature. INDICATOR LIGHTS for turn signal, park brake on and headlamp high beam. WARNING LAMP for battery charge, brake failure, glow plug, oil pressure. Left side combination switch for windscreen wash/2 speed windscreen wipers. Right side combination switch for turn indicators and headlamps. Foglamp switch.

CLUTCH

Type: Dry single plate with diaphragm spring, hydraulic control with automatic adjusting clutch cylinder.
Size: 260mm outside diameter

ENGINE SPECIFICATIONS

Type: Diesel 4 cylinder in-line direct injection
Displacement: 3268 cc
Max Power 65 kW @ 3500 rpm
Max torque 200 Nm @ 2200 rpm
Bore and stroke 102 x 100 mm
Compression ratio: 17:1
RAC rating: 25.8
Automatic Engine Stop device (fuel cut)

YOUR GMH ISUZU DEALER:

LUBRICATION

Pressure feed with full flow paper element oil filter.
Capacity 8.0 litres with filter.

COOLING

400mm plastic fan.

AIR INTAKE

Inlet duct behind front grille.

AIR CLEANER

Type: Paper element (Cartridge type)

FUEL SYSTEM

Fuel injection pump: In-line plunger, Bosch 'A' all speed mechanical governor.
Fuel tank capacity 75 litre.
Fuel filter/water separator.

ELECTRICAL SYSTEMS

Batteries: 2 x 12 — volt 60 Amp/Hour
Alternator: 24 volt — 20 Amp
Starter: 24 volt — 3.5 kW

FRAME

Type: Ladder type channel section
Side member dimensions:
Height x Width x Thickness
170 x 50 x 4.5mm

STEERING

Type: Recirculating ball, 430mm diameter 2 spoke steering wheel
Ratio: 26 ~ 30:5:1

SUSPENSION, FRONT

Type: Semi-elliptical alloy steel leaf springs
Size: Length x Width (mm) — No. of leaves
1140 x 60 — 6
Shock absorbers: Hydraulic, double acting telescopic

SUSPENSION, REAR

Type: Semi-elliptical alloy steel leaf springs
Size: Length x Width (mm) — No. of leaves
Main 1200 x 70 — 3
Auxiliary: 760 x 70 — 2
Shock absorbers: Hydraulic, double acting, telescopic.

TRANSMISSION

Type: Isuzu 5 speed overdrive
Gear Ratios (to 1)
1st 5.037 2nd 2.683 3rd 1.591 4th 1.000
5th 0.782 Rev 4.802

TYRES AND WHEELS

Tyre size: 700 x 15 — 8 ply front
6.00 x 13 — 8 ply rear (duals)
Wheel type and size: 5.50 Fx15 front, 4.0J x 13 rear
Spare tyres and wheels mounted on carriers.

GMH 12/20 WARRANTY

Every Isuzu is covered by the GMH warranty which covers your vehicle for the first 12 months or 20,000 kilometres.

PLEASE NOTE: As the policy of General Motors-Holden's is one of continual product improvement, all specifications and equipment are subject to change without notice. Bodies illustrated are not standard.

No GMH Dealer or other person is authorised or permitted to give or make any statement or undertaking in relation to the quality performance characteristics descriptions or fitness for any purpose of any GMH product or in connection with the supply of any GMH product, which is at variance with any written statement or undertaking on any of these subjects given or made by General Motors-Holden's Limited or General Motors-Holden's Sales Pty. Ltd. in its published sales literature, and neither company accepts any liability for any such unauthorised action.

General Motors-Holden's Limited and General Motors-Holden's Sales Pty. Ltd. have franchised dealers in many parts of Australia for the sale of service parts and the provision of service to owners of GMH's products. Every endeavour is made to ensure that such dealers carry adequate stocks of service parts, and are equipped to provide satisfactory service, but neither General Motors-Holden's Ltd. nor General Motors-Holden's Sales Pty. Ltd. makes any promise, other than that contained in the New Vehicle Warranty given by General Motors-Holden's Sales Pty. Ltd., that such parts or service facilities will be available, or available at any specific location or any particular time.

General Motors-Holden's Sales Pty. Ltd.



Reliability is everything.