



ISUZU JCR 500 CUSTOM

GMH MODEL: FTR 12L
ORDERING CODE: 8DG 02
with H49

STANDARD GVM 12850 kg
STANDARD GCM 22500 kg
TARE MASS (estimated) 4015 kg

DRIVELINE SPECIFICATION

ENGINE

Model: ISUZU 6BG1
Type: 6 cylinder OHV diesel
Displacement: 6494cc
Max power: 120kW @ 2900 rpm
Max torque: 431 Nm @ 1800 rpm
Bore & Stroke 105 x 125mm
Compression ratio: 170:1
RAC Rating: 41.0

TRANSMISSION

Model: ISUZU MBG5F
Type: 5 speed direct drive
Gear ratios (to 1)
1st 6.890
2nd 3.918
3rd 2.121
4th 1.165
5th 1.000
Rev 5.411

AXLE, FRONT

Type: Reverse Elliot I beam
Capacity: 5000 kg

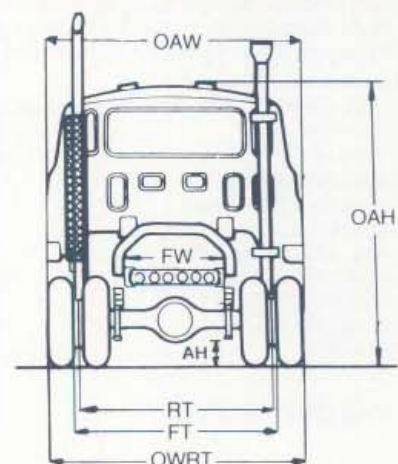
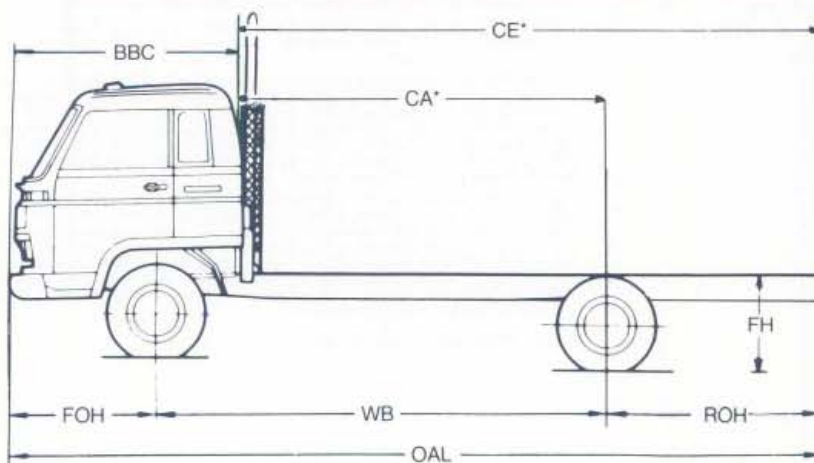
AXLE, REAR

Type: Banjo fully floating EATON
2 speed
Capacity: 10500 kg
Ratio: 5.571/7593

CHASSIS RATINGS

| GROSS COMBINATION and GROSS VEHICLE MASS RATING (KG): | | | Estimated kerb mass (chassis and cab with oil, water and full fuel tank). (kg) | | | |
|---|----------|----------|--|-------|------|-------|
| STD | GVM (kg) | GCM (kg) | Tyres | Front | Rear | Total |
| OPT | 12850 | 22500 | 9.00 x 20-12ply | 2340 | 1675 | 4015 |
| | 13500 | | 9.00 x 20-14ply | | | |
| | 13500 | | 9.00R x 20-14ply | | | |
| | 13400 | | 10.00 x 20-2ply | | | |
| | 13500 | | 10.00 x 20-14ply | | | |
| | 13500 | | frt, 12ply rear 10.00 x 20-14ply | | | |

DIMENSIONS



LENGTHS:

| | | (mm) |
|-----------------------|-----|------|
| Overall length | OAL | 8460 |
| Wheelbase | WB | 5000 |
| Cab to axle | CA* | 4350 |
| Cab to end of frame | CE* | 6550 |
| Front Overhang | FOH | 1260 |
| Rear Overhang | ROH | 2200 |
| Bumper to back of cab | BBC | 1910 |

WIDTHS

| | | (mm) |
|--------------------------|------|------|
| Overall width | OAW | 2370 |
| Frame width | FW | 800 |
| Front track | FT | 1920 |
| Rear track | RT | 1740 |
| Outside width rear tyres | OWRT | 2300 |

HEIGHTS

| | | (mm) |
|------------------------|-----|------|
| Overall height | OAH | 2495 |
| Ground to top of frame | FH | 1000 |
| Rear axle clearance | AH | 265 |

TURNING CIRCLE

| | (m) |
|--------------|------|
| Kerb to kerb | 17.8 |
| Wall to wall | 19.2 |

*CA & CE dimensions are effectively reduced by 300mm with fitment of vertical air intake stack and exhaust pipe



ISUZU
Reliability is everything.

ISUZU JCR 500 CUSTOM

CAB/CHASSIS COMPONENT SPECIFICATIONS

AXLE, FRONT

Type: Reverse Elliot I beam
Capacity: 5000 kg

AXLE, REAR

Type: Banjo fully floating EATON 2 speed
Capacity: 10500 kg
Ratio: 5.571/7.593
Final Gear: 420mm ϕ

BRAKES, SERVICE

Type: Air over hydraulic. Dual circuit. Front two leading, rear dual two leading exhaust brake.
Total lining area: 3968cm²

BRAKE, PARKING

Type: Spring brake acting on rear wheels.

CABIN EXTERIOR

All steel tilt cab with laminated windshield. 2 speed windshield wiper/washer with intermittent setting. West-coast type rear view mirrors. Dual round sealed beam headlamps. Foglamps. Vertical air intake stack. General hand tools and 7000kg capacity jack. Spare wheel and tyre.

INTERIOR

Custom cab interior. Adjustable driver's suspension seat with adjustable lumbar support. Tilt telescopic adjustable steering wheel. Adjustable roof vents. Rear side vent windows. Passenger bucket seat and second passenger centre seat which lifts up for coolant and oil check. AM Radio. Heater/demister with 4 speed fan. Driver and passenger sunvisors. Suspended roof lining.

INSTRUMENTATION

Speedometer and odometer. Tachometer. GAUGES for engine temperature, brake air pressure and fuel level. INDICATOR LAMPS for turn indicators, headlamp high beam, exhaust brake on and park brake on. WARNING LAMPS for low brake fluid, low brake air pressure, battery charge, clogged air filter, oil pressure. Left side combination switch for exhaust brake & two speed wipers with intermittent setting. Hazard warning switch. Fog lamp switch. Right combination switch for headlamps, turn signal and headlamp dip. Key operation auto engine stop.

CLUTCH

Type: Dry single plate with cushioning springs, hydraulic control.
Size: 350mm diameter

ENGINE SPECIFICATION

Type: 6 cylinder OHV diesel
Displacement: 6494cc
Max. Power: 120 kW @ 2900 rpm
Max. Torque: 431 Nm @ 1800 rpm
Bore and Stroke 105 x 125 mm
Compression ratio: 17.0:1
RAC rating: 41.0

YOUR GMH ISUZU DEALER:

LUBRICATION

Pressure feed with full-flow, paper element filter, oil cooler.
Capacity 13.5 litres including filter.

COOLING

Heavy duty radiator. Tube and corrugated fin.
Size: 622 length x 559 width x 53 depth. (mm)
Frontal area: 0.348m²

AIR CLEANER

Donaldson cyclopac 11" single stage type. Long vertical air intake stack.

FUEL SYSTEM

Injection pump: Bosch 'A' in-line with mechanical all speed governor/Fuel/water sedimentor & pre-fuel filter.
Fuel tank capacity: 200 litre fuel

ELECTRICAL SYSTEMS

Batteries: 2x 12 volt 53 A/H
Alternator: 24 volt - 40 Amp
Starter: 24 volt — 4.5 kW

FRAME

Type: Ladder type channel section
Side member dimensions: depth x width x thickness (mm)
225 x 70 x 6
Frame reinforcement: Full length inner channel section
4.5mm thick

STEERING

Type: Power assisted recirculating ball.
Gear Ratio: 22.4:1

SUSPENSION, FRONT

Type: Semi-elliptical alloy steel leaf springs
Size: Length x Width — No leaves
1300 x 70 — 8
Shock absorbers: Hydraulic double acting

SUSPENSION, REAR

Type: Semi-elliptical alloy steel leaf springs with sliding shackle
Size: Length x Width (mm) — No. of leaves
1420 x 80 — 9
Auxiliary: Length x width (mm) — No. leaves
1000 x 80 — 9

TRANSMISSION

Type: 5 speed direct drive
Gear ratios (to 1)
1st 6.890 2nd 3.918 3rd 2.121 4th 1.165
5th 1.000 Rev 5.411

TYRES AND WHEELS

Tyre size: 9.00 x 20 — 12 ply
Wheel type and size 700T x 20, 8 stud disc wheels

GMH 12/20 WARRANTY

Every Isuzu is covered by the GMH warranty which covers the vehicle for the first 12 months or 20,000 kilometres.

Major engine components and driveline components have additional extended warranty. Please consult your GMH/ISUZU dealer for complete and accurate details.

PLEASE NOTE: As the policy of General Motors-Holden's is one of continual product improvement, all specifications and equipment are subject to change without notice. Bodies illustrated are not standard.

No GMH Dealer or other person is authorised or permitted to give or make any statement assertion or undertaking in relation to the quality performance characteristics descriptions or fitness for any purpose of any GMH product or in connection with the supply of any GMH product, which is at variance with any written statement assertion or undertaking on any of these subjects given or made by General Motors-Holden's Limited or General Motors-Holden's Sales Pty. Ltd. in its published sales literature, and neither company accepts any liability for any such unauthorised action.

General Motors-Holden's Limited and General Motors-Holden's Sales Pty. Ltd. have franchised dealers in many parts of Australia for the sale of service parts and the provision of service to owners of GMH's products. Every endeavour is made to ensure that such dealers carry adequate stocks of service parts, and are equipped to provide satisfactory service, but neither General Motors-Holden's Ltd. nor General Motors-Holden's Sales Pty. Ltd. makes any promise, other than that contained in the New Vehicle Warranty given by General Motors-Holden's Sales Pty. Ltd., that such parts or service facilities will be available, or available at any specific location or any particular time.

General Motors-Holden's Sales Pty. Ltd.



Reliability is everything.