

ISUZU

SPECIFICATIONS

NQR 87/80-190

NQR 87/80-190 CREW



NQR 87/80-190 Crew



NQR 87/80-190

AUSTRALIA'S TOP SELLING TRUCK BRAND SINCE 1989.

AT A GLANCE

GVM	8,700 / 8,000 kg
GCM	12,200 / 11,500 kg
Power	140 kW @ 2,600 rpm
Torque	513 Nm @ 1,600 - 2,600 rpm

UPGRADE OPTIONS

AMT Pack: Automated Manual Transmission (AMT), Cruise control, Instrument panel multi-information display.

ADVANCED TECHNOLOGY

Emissions: Euro V / ADR 80/03	Anti Skid Regulator (ASR)
Meets EEV emissions standard	Hill Assist - except AMT pack
Driver and passenger airbag with seatbelt pretensioner	Electric mirrors
ECE-R29 compliant cab	Front and rear stabiliser bars
Anti-lock Braking System (ABS)	Driver suspension seat - except crew and engine access hatch models
Stability Control System (IESC) - except access hatch model	Cornering lamps



We
share
the
load.

ISUZU
RELIABILITY IS EVERYTHING

NQR 87/80-190

NQR 87/80-190 CREW

DRIVELINE AND CHASSIS SPECIFICATIONS

ENGINE: ISUZU 4HK1-TCC

Type: 4 cylinder 16 valve SOHC
Displacement: 5,193 cc
Compression ratio: 17.5:1
Bore x Stroke: 115 mm x 125 mm
Max power (DIN - NET): 140 kW (188 HP) @ 2,600 RPM
(JIS Gross): 145 kW (194 HP) @ 2,600 RPM
Max torque (DIN - NET): 513 Nm (378 lb.ft) @ 1,600 - 2,600 RPM
(JIS Gross): 531 Nm (392 lb.ft) @ 1,600 - 2,600 RPM
Induction system: Electronically controlled variable nozzle turbocharger with air-to-air intercooler.
Fuel injection: Direct injection high pressure common rail system.
Emission control system: Cooled EGR with exhaust Diesel Particulate Diffuser (DPD). ADR 80/03 (Euro V) compliant. EEV compliant.

CLUTCH

Standard model:

- Auto adjusting hydraulic control with vacuum assistance. Single plate 325 mm diameter.
- Total lining area: 966 cm²

AMT Pack:

- Fully automated hydraulically controlled wet clutch and fluid coupling with lock up.

TRANSMISSION

Isuzu MZZ-6F

- PTO provision on LHS of transmission case. PTO drive from counter gear.
- Gear ratios (: 1)

1st	2nd	3rd	4th	5th	6th	Rev
6.369	3.767	1.966	1.355	1.000	0.782	6.369

Standard model:

- 6 speed manual. Synchromesh on gears 1-6.

AMT Pack:

- 6 speed Automated Manual Transmission (AMT) with both fully automatic and clutchless manual operation modes.

AXLES

Front: Isuzu F031

- Reverse Elliot I-beam. 3,100 kg capacity.

Rear: Isuzu R066

- Full floating Banjo type. Four differential pinions. 6,600 kg capacity.
- Drive ratio: 4.100:1 (standard model), 4.300:1 (AMT pack)

SUSPENSION

Front:

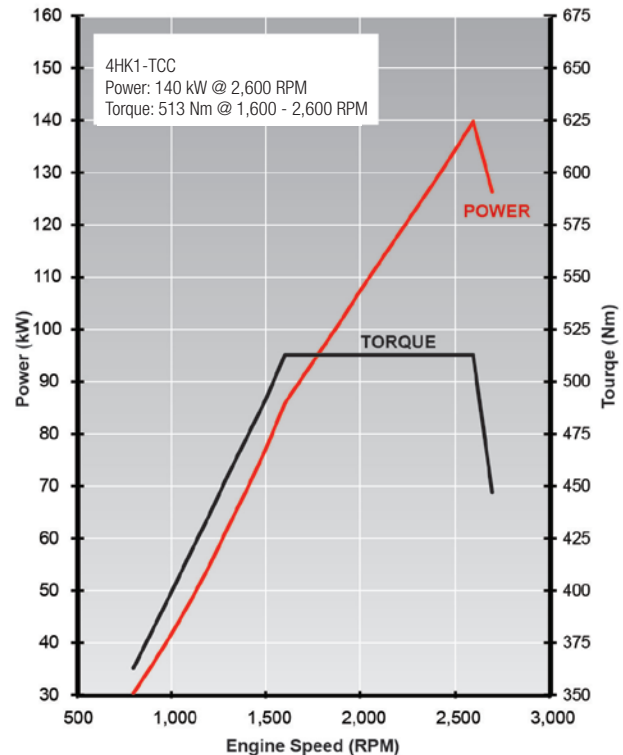
- **Single cab:** Single stage alloy steel taper leaf springs.
- **Crew cab:** Single stage alloy steel multi leaf springs.
- Double acting hydraulic shock absorbers. Stabiliser bar.

Rear:

- Multi leaf main spring, multi leaf helper spring.
- Double acting hydraulic shock absorbers. Stabiliser bar.

BRAKES

- Auto adjusting front and rear disc brakes with dual circuit hydraulic control, integrated boost assist and electronic brake force distribution (EBD) (except access hatch model). Auto adjusting front disc and rear drum brakes with dual circuit hydraulic control, hydraulic pressure assistance and electronic brake force distribution (EBD) (access hatch model).



- ABS and ASR traction control.
- IESC stability control - except access hatch model.
- Hill Assist - except AMT pack.
- Front disc diameter: 363 mm.
- Rear disc diameter: 348mm (except access hatch model). Rear drum size: 370 x 150mm (access hatch model).
- Vacuum controlled exhaust brake.
- 203mm diameter drum park brake mounted on rear of transmission.

STEERING

- Power assisted recirculating ball steering.
- Gear ratio: 20.9:1
- Turns lock to lock: 5.4
- Maximum angle: 43° (inside wheel) / 33° (outside wheel)

WHEELS AND TYRES

- 19.5 x 6.00 six stud steel wheels.
- 225/70R 19.5 125/123L Michelin XZE Tubeless.
- Maximum tyre rating:
 - Steer axle: 3,300 kg
 - Drive axle: 6,200 kg
- 1 frame mounted spare wheel and tyre assembly.

CHASSIS FRAME

- Cold rivetted ladder frame. SAPH440 weldable steel sidemembers. Parallel side rails and rivetless top flange.
- Frame dimensions:
 - Side rail (mm): 216 x 70 x 6.0
 - Rear frame width (mm): 850

FUEL TANK

- Frame mounted 140L steel fuel tank.
- Lockable fuel cap.

ELECTRICAL SYSTEM

- 24 volt electrical system.
- 90 amp alternator (except access hatch model), 80 amp alternator (access hatch model).

- 4.5 kW starter motor.
- 2 x 80D26L (630 CCA) batteries connected in series.

CABIN SPECIFICATIONS AND APPOINTMENTS

CAB EXTERIOR

- All steel construction. High tensile steel used for cab underframe.
Single cab: Manual cab tilt to 45° with torsion bar assistance.
Crew cab / access hatch model: Fixed cab mounting.
- Complies with ECE-R29 cab strength standard.
- **Single cab:** Liquid filled front and rear cab mounts.
Crew cab / access hatch model: Rubber cab mounts.
- Heavy duty non slip entry steps.
- 90° opening internally reinforced front doors.
- Water spray suppression guards and front mudflaps.
- Laminated windscreen with shade band.
- Two speed windscreen wipers with intermittent wipe mode.
- Halogen multi-reflector headlamps incorporating turn signals. Additional door mounted integrated side indicator/cornering lamps.
- Combination brake, turn, reverse and marker lamps, registration plate illumination lamps. Extended wiring harness. Reverse alarm.
- Roof-mounted clearance lamps.
- Heated and powered exterior main mirrors with flat glass and additional independently adjustable convex "spot" mirrors.
- Chrome grille.
- Body coloured impact resisting polycarbonate bumper with steel backing frame. Includes front foglamps.

CAB INTERIOR

- Contoured adjustable driver's bucket seat. **Single cab except access hatch model:** includes mechanical suspension rated to 130kg
- Front passenger bench seat with 2 seat capacity.
- **Crew cab/Engine access hatch:** Engine access provided under removable driver seat base and tiltable front passenger seat.
- **Crew cab:** Rear bench seat with 4 seat capacity.
- 3-point lap sash seatbelts in all outboard seating positions. Driver and outboard front passenger seatbelts fitted with pretensioner. Centre seat lap belts.
- Driver and outboard front passenger airbag.
- **AMT Pack:** Driver's footrest.
- Door and roof pillar entry assist grips. **Crew cab:** Full width rear grab rail with ashtray.
- Full interior trim, padded roof lining and vinyl floor covering. Driver and passenger windscreen header storage shelf.
- Tilt/Telescopic adjustable steering column, soft feel urethane steering wheel.
- Electric windows.
- Central locking with remote keyless entry and immobiliser.
- Twin cup holders. 24V cigarette lighter. Dashboard hook.
- Front door mounted storage pockets and driver's side ashtray.
- Centre console box with storage tray. Fold down storage tray behind centre seat backrest.
- Fully integrated auto control air conditioning and heater/demister with 4-speed fan and outlets for windscreen, side windows, face and floor.
- Interior lamp with On/Door/Off switch.
Single cab: fluorescent type. **Crew cab:** standard type.

- 2 DIN, two speaker radio/CD/DVD Digital Audio Visual Entertainment (DAVE) unit with 6.2" LCD touch screen. DAB+ digital radio and fully integrated Bluetooth with voice recognition. 4GB internal storage for music files. USB/SD card and auxilliary input connection provisions.
- DIN sized compartment for storage or for CB radio installation.

DRIVER CONTROLS

- Key-operated engine start/stop and steering lock. Engine idle speed control.
- Hill Assist slow/fast engagement control and on/off switch - except AMT pack.
- ASR and IESC on/off (except access hatch model). ASR on/off (access hatch model).
- DPD regeneration.
- **AMT Pack:** AMT slow/fast gear engagement control, 1st gear start and normal/economy gear selection modes.
- **AMT Pack:** Gear selection control with R-N-D and sequential shift positions.
- **Left side combination stalk:** Windscreen wipers, washers and exhaust brake.
- **Right side combination stalk:** Turn signals and headlamps.
AMT Pack: Cruise control.

INSTRUMENTATION

- Electronically driven speedometer and tachometer. Digital odometer with integrated dual tripmeter. Engine coolant temperature and fuel level gauges.
- **Warning lamps:** Check engine, oil pressure, ABS, SRS airbag, alternator charge, service brakes, park brake, seat belt unfastened, low fuel level.
AMT Pack: Check AMT.
- **Indicator lamps:** Hill Assist (except AMT pack), warm up system, high beam, ASR, IESC (except access hatch model), DPD status, exhaust brake, turn signals. **AMT Pack:** Cruise control, econo-mode, 1st gear start.
- **AMT Pack:** Gear selection display.
- **AMT Pack:** Multi-information display. Shows service interval, instantaneous and average fuel consumption, DPD bar chart, hourmeter, voltmeter, time/day/date and includes 40-120 km/h adjustable vehicle speed warning.

OPTIONS AND GENUINE ACCESSORIES

Include the following (extra cost, request a brochure and further details from your Isuzu dealer):

Digital Audio Visual Entertainment unit:

- Telematics system.
- Isuzu satellite navigation including three years of free updates.
- Supports up to four camera inputs, one camera and rear microphone input active when reversing. Reversing sensors.
- Tyre pressure monitoring system.
- Cables for full iPod/iPhone/iPad compatibility and connection to other external audio visual devices.

Other:

- Airbag compatible bullbar.
- 3,500 kg rated towbar.
- Air deflector.

ISUZU CARE

Isuzu Care gives truck owners access to products and services including Roadside Assist, Service Agreements, Extended Care, Extended Isuzu Assist and the Isuzu Care Centre. Call 1800 035 640.

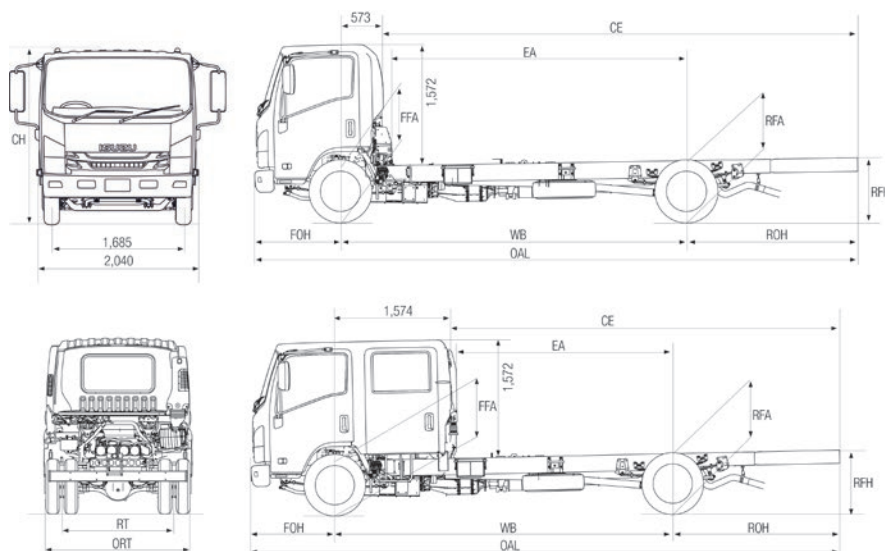
WEIGHTS (kg)

Models	Ratings*		Loading Limit* (at ground)		Cab Chassis Weight #		
	GVM	GCM	Front	Rear	Front	Rear	Total
NQR 87/80-190 MWB	8,700 / 8,000	12,200 / 11,500	3,100	6,200	1,840	1,010	2,850
NQR 87/80-190 AMT MWB	8,700 / 8,000	12,200 / 11,500	3,100	6,200	1,840	1,010	2,850
NQR 87/80-190 LWB	8,700 / 8,000	12,200 / 11,500	3,100	6,200	1,910	1,030	2,940
NQR 87/80-190 AMT LWB	8,700 / 8,000	12,200 / 11,500	3,100	6,200	1,910	1,030	2,940
NQR 87/80-190 AMT LWB AH	8,700 / 8,000	12,200 / 11,500	3,100	6,200	1,930	1,045	2,975
NQR 87/80-190 CREW	8,700 / 8,000	12,200 / 11,500	3,100	6,200	2,070	1,060	3,130
NQR 87/80-190 AMT CREW	8,700 / 8,000	12,200 / 11,500	3,100	6,200	2,070	1,060	3,130

* Vehicle ratings and front/rear weight limits are subject to government regulatory requirements and weight distribution analysis. Consult your Isuzu dealer to select the correct vehicle for your specific application. # Cab chassis only as supplied and including 10 litres of fuel.

DIMENSIONS (mm)

Models	WB	OAL	FOH	ROH	EA	CE	RT	ORT	CH	FFA (unladen)	RFA (unladen)	RFH (unladen)	Turn Circle (m)
													KERB TO KERB
NQR 87/80-190 MWB	3,365	5,985	1,110	1,510	2,680	4,302	1,670	2,150	2,310	710	815	855	12.4
NQR 87/80-190 LWB	4,475	7,804	1,110	2,219	3,790	6,121	1,670	2,150	2,310	710	815	865	16.4
NQR 87/80-190 CREW	4,475	7,804	1,110	2,219	2,810	5,120	1,670	2,150	2,310	700	820	875	16.4



PERFORMANCE (calculated - typical paved road)

Models	GVM	Geared Speed*	Low Speed Gradeability	Engine Speed
		(top gear at peak power engine RPM)	(lowest forward gear assuming no wheel slip)	(top gear at 100km/h)
NQR 80-190	At 8,000 kg GVM	121 km/h @ 2,600 RPM	38%	2,145 RPM
NQR 87-190	At 8,700 kg GVM	121 km/h @ 2,600 RPM	35%	2,145 RPM
NQR 80-190 AMT	At 8,000 kg GVM	116 km/h @ 2,600 RPM	40%	2,245 RPM
NQR 87-190 AMT	At 8,700kg GVM	116 km/h @ 2,600 RPM	37%	2,245 RPM

*Maximum speed achievable depends on vehicle frontal area as well as other factors. Consult your Isuzu dealer for more detailed information.

ISUZU WARRANTIES

STANDARD ¹	
New Vehicle	3 years • 100,000km • 2,000 hours
Cab Perforation Corrosion	3 years • Unlimited km
Isuzu Assist: 24 hour roadside assistance (3 years, unlimited km)*	
EXTENDED CARE ²	
Extended Warranty: 5 years • 250,000km • 4,500 hours	
Isuzu Assist: 24 hour roadside assistance (5 years, unlimited km)	

ORDER CODES

Model	Code	Model	Code
NQR 87/80-190 MWB	NH-NQRAC-B16	NQR 87/80-190 AMT LWB AH	NH-NQREC-E15
NQR 87/80-190 AMT MWB	NH-NQRAC-D16	NQR 87/80-190 CREW	NH-NQRCC-C16
NQR 87/80-190 LWB	NH-NQRAC-C16	NQR 87/80-190 AMT CREW	NH-NQRCC-E16
NQR 87/80-190 AMT LWB	NH-NQRAC-E16		

¹ Subject to the conditions outlined in the IAL New Vehicle Warranty, the Isuzu NQR models carry a standard factory warranty which covers the owner: (i) for the entire vehicle, for the first 36 months or 100,000 km or 2,000 hrs (whichever comes first), (ii) against cab perforation corrosion, for 36 months and unlimited kilometres. ² Extended Warranty as illustrated may be purchased to cover the owner against the failure of original components, but may exclude some components and expendable items such as oil, filters, etc. *Valid for three years from the date of new vehicle purchases. All Isuzu warranties are subject to mandatory prescribed terms under Australian Consumer law including customer guarantees. For more details visit the Isuzu website which explains Isuzu warranties in more detail, or alternatively contact your local dealer. All warranties commence from date of delivery.

ISUZU AUSTRALIA LIMITED ABN 97 006 962 572 ("IAL"). The information in this spec sheet was correct at time of printing, but all measurements, specifications and equipment are subject to change without notice. Some equipment may have been changed and/or is available at extra cost. IAL may make changes at any time without notice, in prices, colours, materials, equipment and models. IAL makes all reasonable attempts to ensure the availability of all vehicles and equipment. The information in this spec sheet is general in nature. Your Isuzu dealer can confirm all measurements, specifications and vehicle / equipment availability upon request. To the extent permitted by the law, IAL is not liable to any person as result of reliance on the content of this spec sheet.

We
share
the
load.

ISUZU
RELIABILITY IS EVERYTHING