

## ENGINE ISUZU 6HH1-S

<b>Type:</b>	6 cylinder, overhead camshaft, 4 stroke, direct injection, diesel.
<b>Bore x Stroke:</b>	115 mm x 132 mm.
<b>Displacement:</b>	8226 cc.
<b>Compression Ratio:</b>	18.5 : 1.
<b>Output - Power:</b>	150 kW @ 2850 RPM. (ISO 1585)
<b>Torque:</b>	539 Nm @ 1700 RPM. (ISO 1585)

## CLUTCH

- Hydraulic control dry single plate. 352 mm (14") diameter.
- Asbestos free lining material. Total lining area (both sides) 1164 cm<sup>2</sup>.

## TRANSMISSION ISUZU MLD7R

- 7 speed overdrive, constant mesh with synchromesh on gears 2-7. Oil capacity 8.3 litres.
- Pneumatic gearshift assistance.
- Gear ratios (: 1)  
1st | 2nd | 3rd | 4th | 5th | 6th | 7th | Rev |  
8.181 | 5.167 | 3.333 | 2.105 | 1.347 | 1.000 | 0.863 | 8.307 |
- Maximum geared speed 104 km/h. Electronically road speed limited to 100 km/h.
- 3 piece propeller shaft, 90 mm diameter.

## REAR AXLE ROCKWELL RS23160 CAPACITY 10500 KG

- Banjo type, fully floating, single reduction. Ratio 5.625 : 1.
- Hypoid type ring gear. 457 mm diameter. Oil capacity 15.0 litres.

## BRAKES

- Rockwell 'Q Plus' full air 'S' cam, dual circuit front and rear leading and trailing shoes. Drum diameter front and rear 419 mm. Total swept area 8688 cm<sup>2</sup>.
- Asbestos free lining material.
- Air tank capacity 67.5 litres
- Spring park brake acting on rear wheels.

MODEL	WHEELBASE	GVM	GCM	ORDERING CODE
FVR 950 LO-PRO	6050mm	16000kg	24000kg	8FR02-674

## KERB MASS (kg)\*

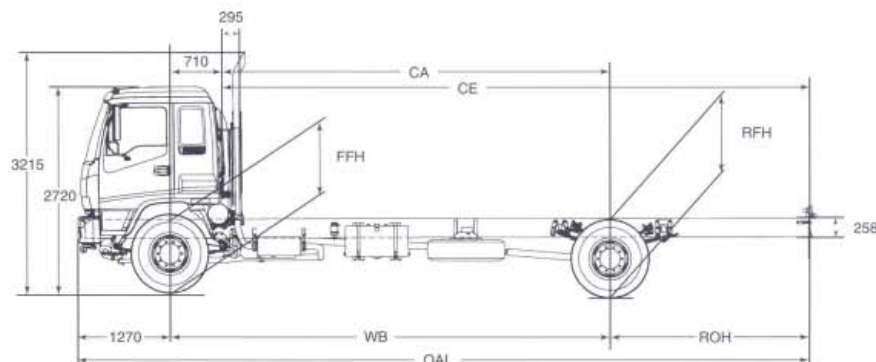
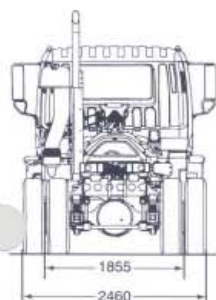
	Front	Rear	Total
FVR 950 LO-PRO	2,920	2,160	5080

\*Estimated mass of chassis cab with oil, water and fuel tank containing 10 litres of fuel. Excluding spare wheel and tools.

## DIMENSIONS (mm) \*

	FVR 950 LO-PRO
Wheelbase (WB)	6,050
Overall Length (OAL)	10,020
Rear Overhang (ROH)	2,700
Cab To Axle (CA)	5,340
Cab To End Of Frame (CE)	8040
Front Frame Height, Unladen (FFH)	915
Front Frame Height, Laden (FFL)	898
Rear Frame Height, Unladen (RFH)	1,005
Rear Frame Height, Laden (RFL)	908
Turning Circle (Kerb To Kerb)	22.5m
Nominal Max. Body Length*	8,395

\*Except Turning Circle: metres. \*Subject to weight distribution



ISUZU GENERAL MOTORS AUSTRALIA (Pty) Ltd. N. 906 982 272 24 190 000 000 (BRISBANE). Subject to the conditions of the FGM New Vehicle Warranty, every Isuzu Truck carries a warranty which covers your vehicle for the first 24 months or 100,000 km (whichever comes first). A 30 month or 150,000 km (whichever comes first) power train warranty runs concurrently with the new vehicle warranty, as does a 30 month (unlimited kilometres) anti-rust corrosion warranty. PLEASE NOTE: as the policy of FGM is one of continual product improvement, all specifications and equipment are subject to change without notice. Any such alteration is not standard equipment. No FGM dealer or other person is authorised to promise or make any statement, assertion or undertaking as to the quality, performance, data, terms, descriptions or fitness for any purpose of any FGM product or in connection with the supply of any FGM product which is in contrast with any written statement, assertion or undertaking on any of these subjects given or made by FGM in its published sales literature, and the company accepts no liability for any such unauthorised action. FGM has franchised dealers in some parts of Australia, for the sale of service, parts and the provision of service to the owners of FGM products. Every endeavour is made to ensure that such dealers, any subsequent agents of service parts and are equipped to provide satisfactory service, but makes no promise, other than that contained in the FGM new vehicle warranty, that such parts or service facilities will be available or available at any specific location or at any particular time. Ask about this specification sheet. We have tried to make it as comprehensive and factual as possible. However, since the time of printing some of the information you will find here may have been updated. Also, some of the equipment shown or described through this specification sheet may have been changed and/or is available at extra cost. And the make is reserved to make changes to any time without notice, in price, colour, materials, equipment and models. Your FGM dealer has details and before ordering, you should ask him/her to bring you up to date.

## AIR CLEANER

- Donaldson 11" two stage with vertical air intake stack and rain head.

## CHASSIS FRAME

- Parallel rail, ladder type channel section, cold riveted.
- Straight frame for easy body mounting. Frame width 850 mm.
- Side member dimensions 258 mm x 85 mm x 10 mm.
- Frame reinforcement angle section, 224 mm x 75 mm x 4.5 mm.
- Material SAPH440 weldable mild steel.

## COOLING SYSTEM

- 6 blade plastic cooling fan 500 mm diameter with thermatic fan clutch.
- Corrugated fin radiator with fan shroud. Frontal area 3820 cm<sup>2</sup>. Coolant capacity 23.3 litres.

## ELECTRICAL SYSTEM

- Batteries - 2 x 12 volt / 65 amp/h, negative earth.
- Alternator - 24 volt / 40 amp.
- Starter motor - 24 volt / 4.5 kW.
- Rear stop and tail lamps and licence plate lamp with long leads for variable body mounting.

## EXHAUST SYSTEM

- Horizontal exhaust muffler with vertical exhaust stack.
- Exhaust brake, air controlled.

## FRONT AXLE ISUZU F063 CAPACITY 6300 KG

- Reverse Elliot I-beam type. King pin diameter 50 mm with cylindrical roller thrust bearing.

## FRONT SUSPENSION

- Semi-elliptical, alloy steel tapered multi-leaf springs. Fully wrapped eye with greasable shackles.

Length	x	Width	x	Thickness	x	No. leaves
1470 mm	x	80 mm	x	11 mm	x	2
		80 mm	x	12 mm	x	2
		80 mm	x	13 mm	x	5

- Hydraulic, double acting, telescopic shock absorbers.
- Stabiliser bar.

## FUEL SYSTEM

- In line plunger, Bosch 'ADS' type fuel injection pump with mechanical all speed governor. In line filter, see through water separator with drain cock. Single fuel tank, capacity 180 litres.

## LUBRICATION SYSTEM

- Pressure feed lubrication with combination full flow and partial flow by-pass filter. Plate type oil cooler in water jacket. Oil capacity 13.5 litres including filter.

## REAR SUSPENSION

- Semi-elliptical, alloy steel tapered multi-leaf springs. Fully wrapped eye with greasable shackles.

	Length	x	Width	x	Thickness	x	No. leaves
Main:	1420 mm	x	100 mm	x	12 mm	x	8
Aux:	980 mm	x	100 mm	x	10 mm	x	2
			100 mm	x	11 mm	x	4

- Stabiliser bar.

## STEERING

- Fully integral, power assisted, recirculating ball type.
- Gear ratio 22.4 : 1. Turns lock to lock 4.5.
- Gear driven vane type oil pump. Oil capacity 2.5 litres.

## TOOLS

- Lockable tool box with 10000 kg capacity jack and wheel changing tools, tool kit.

## WHEELS AND TYRES

- 8.25 x 22.5, 10 stud disc wheels, 275/70R22.5 tubeless tyres front and rear.
- Number of wheels and tyres 7, including spare. Winch type spare wheel carrier.

## CAB EXTERIOR

- All steel cab with welded strengthening ribs and side door impact beams. Torsion bar assisted manual tilt to 45°.
- 4 silicon filled rubber cab isolators.
- Cation electrodeposition primer.
- Bumper bar with step holes and footplate.
- Halogen headlamps, hinged for easy bulb replacement. Park lamps and cab clearance lamps.
- Turn signal lamps in front bumper and over wheel arches.
- 2 speed wiper/washer with variable intermittent mode. Triple washer jets mounted on wiper arms.
- Tinted, laminated windshield; tinted, toughened side and rear glass.
- West Coast type rear view mirrors. Convex mirror surface on passenger side.
- Alloy non-slip cab entry steps.
- Lift up front access panel for clutch and windscreen washer fluids, cab air filter screen. Engine fluid check points at rear of cab.

## CAB INTERIOR

- Fully trimmed cab interior with cloth seat facings, formed roof lining. Overhead storage lockers. Driver and passenger sun visors.
- Pull out drinks holder in centre fascia, cigarette lighter with ash trays in doors.
- Driver's seat with mechanical suspension and 3 way lumbar support. Adjustment for seat back recline, seat slide and weight control.
- Outboard reclining passenger seat with under-seat storage drawer. Folding centre seat back with lockable compartment and tray.
- Outboard lap/sash seat belts with emergency locking retractors, centre lap seat belt.
- Tilt/telescopic adjustable steering column, soft feel urethane steering wheel.
- Easy entry grab handles on 'A' and 'B' pillars.
- Heater demister with 4 speed fan, 4 outlet vents to screen, 5 fascia outlets, 5 foot outlets, demister ducts to door glass.
- AM/FM radio cassette with digital clock, dash mounted.
- DIN standard aperture in dash for CB radio.
- Park brake activation lever at left side of driver's seat.
- Rear vision mirror.
- Passenger side assist grip.
- Driver's left foot rest.
- Cab exhaust vents rear/upper cab.
- Business card clip. Coat hook at rear of cab.
- Elastic mesh pocket on driver's door.

## INSTRUMENTATION

- Speedometer, odometer, trip meter and tachometer.
- Gauges for coolant temperature, fuel level and brake air pressure.

## INDICATOR LAMPS

- Turn signals, parking brake on, high beam on, exhaust brake engaged.
- Reversing lamp and beeper.

## WARNING LAMPS

- With warning bulb check switch.
- Battery charge, oil pressure, low air pressure, brake system, stop and tail light failure.

## CONTROLS

- Left side combination stalk switch for exhaust brake, windscreen wipers and washer, hazard lamps.
- Right side combination stalk switch for headlamps, high beam and turn signals.
- Engine idle speed adjust control.
- Key operation for engine start and stop, external engine crank switch for service when cab is tilted.
- 3 way switch for interior lamp activated by driver and passenger doors.
- 24 volt-2 pin accessory plug in centre console.

# FVR 950

LO-PRO

# ISUZU

RELIABILITY IS EVERYTHING