



ISUZU SBR 422

GMH MODEL: FSRIIHV
ORDERING CODE: 8DC 02

STANDARD GVM 8000 kg
STANDARD GCM 15000 kg
KERB MASS 2925 kg (Estimated)

DRIVELINE SPECIFICATION

ENGINE

Model: ISUZU 6BD1
Type: 6 cylinder OHV Diesel
Displacement: 5785cc
Max power: 100kW @ 3200 rpm
Max torque: 353 Nm @ 2000 rpm
Bore & Stroke: 102x118mm
Compression ratio: 170:1
RAC Rating: 38.7

TRANSMISSION

Model: ISUZU MBG 5A
Type: 5-speed direct drive
Gear ratios (to 1)
1st 6.378
2nd 3.627
3rd 2.239
4th 1.452
5th 1.000
Rev 5.835

AXLE, FRONT

Type: Reverse Elliot I beam
Capacity: 3400 kg

AXLE, REAR

Type: Banjo fully floating
Capacity: 7700 kg
Ratio: 4.750:1

BRAKES

Vacuum/Hydraulic

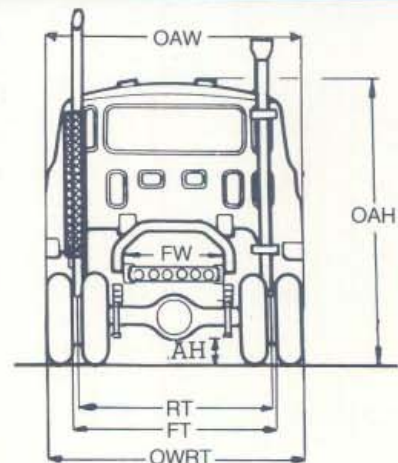
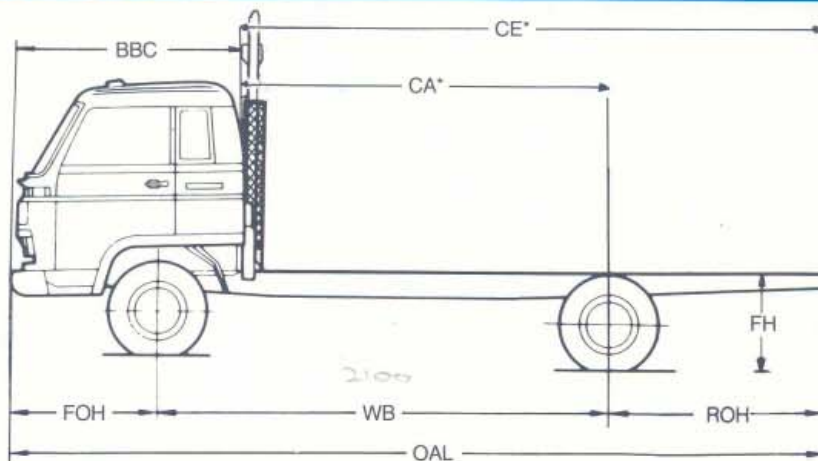
WHEELBASE

4200mm

CHASSIS RATINGS

| GROSS COMBINATION and GROSS VEHICLE MASS RATING (KG): | | | Estimated kerb mass (chassis and cab with oil, water and full fuel tank). (kg) | | |
|---|--------------|---------------------------|--|--------------|---------------|
| GVM STD 8000 | GCM 15000 | Tyres 8.25 x 16-12 ply | Front 1845 | Rear 1080 | Total 2925 |
| OPT 9000 | | 8.25R x 16-14 ply | | | |

DIMENSIONS



LENGTHS:

| | | | |
|-----------------------|-----|------|------|
| Overall length | OAL | (mm) | 7160 |
| Wheelbase | WB | | 4200 |
| Cab to axle | CA* | | 3500 |
| Cab to end of frame | CE* | | 5250 |
| Front Overhang | FOH | | 1210 |
| Rear Overhang | ROH | | 1750 |
| Bumper to back of cab | BBC | | 1910 |

HEIGHTS

| | | |
|------------------------|-----|------|
| Overall height | OAH | 2360 |
| Ground to top of frame | FH | 880 |
| Rear axle clearance | AH | 210 |

TURNING CIRCLE

| | | |
|--------------|-----|------|
| Kerb to kerb | (m) | 14.2 |
| Wall to wall | | 15.8 |

*CA & CE dimensions are effectively reduced by 300mm with the fitment of vertical exhaust pipe and protector

WIDTHS

| | | |
|--------------------------|------|------|
| Overall width | OAW | 2170 |
| Frame width | FW | 800 |
| Front track | FT | 1700 |
| Rear track | RT | 1610 |
| Outside width rear tyres | OWRT | 2100 |



ISUZU
Reliability is everything.

ISUZU SBR 422

CAB/CHASSIS COMPONENT SPECIFICATIONS

AXLE, FRONT

Type: Reverse Elliot I beam
Capacity: 3400 kg

AXLE, REAR

Type: Banjo fully floating
Capacity: 7700 kg
Ratio: 4.750:1
Final Gear: 343 mm diameter, single reduction, Hypoid

BRAKES, SERVICE

Type: Hydraulic with vacuum assist. Exhaust brake.
Total lining area: 3082cm²

BRAKE, PARKING

Type: Mechanical expanding at rear of transmission.

CABIN EXTERIOR

All steel tilt cab with laminated windshield. 2 speed windshield wiper/washer. West-coast type rear view mirrors. Dual round sealed beam headlamps. Fog lamps. Vertical air intake stack. General hand tools and 7000kg capacity jack. Spare wheel and tyre. Foglamps.

INTERIOR

Adjustable Driver's suspension seat. Adjustable roof vents. Rear side vent windows. Centre console storage box. Passenger bucket seat and second passenger centre seat which lifts up for coolant and oil check. AM Radio. Heater/demister with 4 speed fan. Driver and passenger sunvisors.

INSTRUMENTATION

Speedometer and odometer. Tachometer. GAUGES for engine temperature, brake air pressure and fuel level. INDICATOR LAMPS for turn indicators, headlamp high beam, exhaust brake on and park brake on. WARNING LAMPS for low brake fluid, low brake air pressure, battery charge, clogged air filter, oil pressure. Left side combination switch for exhaust brake & two speed wipers with intermittent setting. Hazard warning switch. Fog lamp switch. Right combination switch for headlamps, turn signal and headlamp dip. Key operation auto engine stop.

CLUTCH

Type: Hydraulic control with helper spring, dry single plate with cushioning springs.
Size: 325mm diameter

ENGINE SPECIFICATION

Type: 6 cylinder OHV diesel, direct injection
Displacement: 5785cc
Max. Power: 100 kW @ 3200 rpm
Max torque: 353 Nm @ 2000 rpm
Bore and Stroke: 102 x 118 mm
Compression ratio: 17.0:1
RAC rating: 38.7

YOUR GMH ISUZU DEALER:

LUBRICATION

Pressure feed with full flow paper element oil cooler. Capacity 14.5 litres including filter.

COOLING

Fan type: 6 blade plastic
Size: 475mm diameter
Radiator size: 566 x 523 x 71 mm
Total frontal area: 0.296m²

AIR CLEANER

Paper element, Donaldson 8", vertical air intake stack.

FUEL SYSTEM

Fuel injection pump: in-line plunger Bosch 'A' with mechanical governor
Fuel tank capacity: 200 litre.

ELECTRICAL SYSTEMS

Batteries: 2 x 12V-53AH
Alternator: 24V-25A
Starter: 24V-4.5kW

FRAME

Type: Ladder type channel section
Side member dimensions: 225 x 70 x 6mm.
Tapering to 125 mm at rear.

STEERING

Type: Recirculating ball, heavy duty.
Gear ratio: 29.7

SUSPENSION, FRONT

Type: Semi-elliptical alloy steel leaf springs
Size: Length x width (mm) - no. of leaves. 1200 x 70 - 8
Shock absorbers: Hydraulic double acting telescopic

SUSPENSION, REAR

Type: Semi-elliptical alloy steel leaf springs
Size: length x width (mm) - no of leaves
Main: 1300 x 70-8
Auxiliary: 850 x 70 - 7

TRANSMISSION

Type: Isuzu 5 speed direct drive
Gear ratios (to 1)
1st 6.378 2nd 3.627 3rd 2.239 4th 1.452
5th 1.000 Rev 5.835

TYRES AND WHEELS

Tyre size: 8.25 x 16 - 12pr Optional 8.25R x 16-14pr
Wheel type and size 6.00 GS-16, 6 stud.

GMH 12/20 WARRANTY

Every Isuzu is covered by the GMH warranty which covers the vehicle for the first 12 months or 20,000 kilometres.

Major engine components and driveline components have additional extended warranty. Please consult your GMH/ISUZU dealer for complete and accurate details.

PLEASE NOTE: As the policy of General Motors-Holden's is one of continual product improvement, all specifications and equipment are subject to change without notice. Bodies illustrated are not standard.

No GMH Dealer or other person is authorised or permitted to give or make any statement or undertaking in relation to the quality performance characteristics descriptions or fitness for any purpose of any GMH product or in connection with the supply of any GMH product, which is at variance with any written statement assertion or undertaking on any of these subjects given or made by General Motors-Holden's Limited or General Motors-Holden's Sales Pty. Ltd. in its published sales literature, and neither company accepts any liability for any such unauthorised action.

General Motors-Holden's Limited and General Motors-Holden's Sales Pty. Ltd. have franchised dealers in many parts of Australia for the sale of service parts and the provision of service to owners of GMH's products. Every endeavour is made to ensure that such dealers carry adequate stocks of service parts, and are equipped to provide satisfactory service, but neither General Motors-Holden's Ltd. nor General Motors-Holden's Sales Pty. Ltd. makes any promise, other than that contained in the New Vehicle Warranty given by General Motors-Holden's Sales Pty. Ltd., that such parts or service facilities will be available, or available at any specific location or any particular time.

General Motors Holden's Sales Pty. Ltd.



Reliability is everything.