

ISUZU

FRR 500 CREW

FRR 550 CREW

FTR 900 CREW



ISUZU
RELIABILITY IS EVERYTHING

AT A GLANCE

GVM	10,400 - 15,000 kg
GCM	16,000 - 24,000 kg
Engine Type	Isuzu SiTEC 190 / 220
Displacement	7.8 L
Power	141 kW @ 2,400 rpm 164 kW @ 2,400 rpm
Torque	582 Nm @ 1,500 rpm 668 Nm @ 1,500 rpm
Wheelbase	4,250 - 6,050 mm

FRR 500 & FRR 550 Crew

FTR 900 Crew

DRIVELINE & CHASSIS SPECIFICATIONS

ENGINE:

Type: 6 cylinder, 4 stroke, 24 valve, SOHC, direct injection diesel. Turbocharged and air-to-air intercooled. Adjustable roller type rocker arms.

Displacement: 7,790 cc

Compression Ratio: 16.8:1

Bore x Stroke: 115 x 125 mm

FRR 500: SITEC 190 (ISUZU 6HK1-TCN)

Max power (DIN NET): 141 kW @ 2,400 RPM

Max torque (DIN NET): 582 Nm @ 1,500 RPM

FRR 550 & FTR 900: SITEC 220 (ISUZU 6HK1-TCC)

Max power (DIN NET): 164 kW @ 2,400 RPM

Max torque (DIN NET): 668 Nm @ 1,500 RPM

- Emissions Standard: ADR 80/00 (USEPA 1998)
- Plate type oil cooler. 13.5 L oil capacity. Combined full flow main filter and bypass oil filter.

COOLING SYSTEM

- 8 blade, 640 mm diameter cooling fan with thermostatically controlled viscous clutch. Dual drive belts and thermostats.
- Radiator frontal area: 4,452 cm²
- 23 L coolant capacity.

AIR INTAKE SYSTEM

- Vertical air intake mounted on back of cab. Two stage Donaldson air cleaner with 280 x 380 mm main element and 160 x 350 mm secondary element.
- 540 x 580 mm air-to-air intercooler.

FUEL SYSTEM

- Denso common rail fuel injection. Separate fuel filter and water separator.
- 180 L steel tank.

CLUTCH

- Air assisted hydraulic control. Single plate 352 mm (FRR 500), 381 mm (FRR 550 & FTR 900)
- Asbestos free lining material.
- Total lining area: 1,164 cm² (FRR 500)
1,363 cm² (FRR 550 & FTR 900)

TRANSMISSION

FRR 500 & 550: ISUZU MLD-6Q 6 Speed manual

- 6 forward speeds including overdrive.
 - Syncromesh on gears 2-6.
 - 6.5 L oil capacity.
 - PTO provision on LHS of transmission case. PTO drive from counter gear.
 - Gear ratios (: 1)
- | | | | | | | |
|-------|-------|-------|-------|-------|-------|-------|
| 1st | 2nd | 3rd | 4th | 5th | 6th | Rev |
| 6.720 | 4.244 | 2.580 | 1.540 | 1.000 | 0.763 | 6.823 |

FTR 900: ISUZU MLD-7Q 7 Speed manual

- 7 forward speeds including overdrive.
 - Syncromesh on gears 2-7. Air assisted gearshift.
 - 8.3 L oil capacity.
 - PTO provision on LHS of transmission case. PTO drive from counter gear.
 - Gear ratios (: 1)
- | | | | | | | | |
|-------|-------|-------|-------|-------|-------|-------|-------|
| 1st | 2nd | 3rd | 4th | 5th | 6th | 7th | Rev |
| 7.166 | 4.526 | 2.919 | 1.954 | 1.254 | 1.000 | 0.756 | 7.276 |

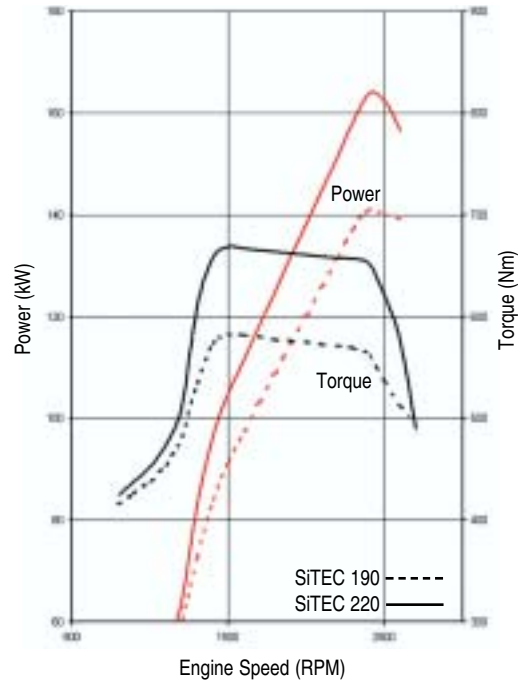
AXLES

FRONT ISUZU	FRR 500 F036	FRR 550 F036	FTR 900 F065
-------------	--------------	--------------	--------------

- Axle capacity: 3,600 kg 3,600 kg 6,500 kg

SITEC 190
Power : 141 kW / 2,400 RPM
Torque : 582 Nm / 1,500 RPM

SITEC 220
Power : 164 kW / 2,400 RPM
Torque : 668 Nm / 1,500 RPM



ISUZU SITEC 190 (6HK1-TCN) & SITEC 220 (6HK1-TCC) ENGINE PERFORMANCE CHART

- Reverse Elliot I-beam.

REAR ISUZU	FRR 500 R077	FRR 550 R077	FTR 900 R092
------------	--------------	--------------	--------------

- Axle capacity: 7,700 kg 7,700 kg 9,200 kg
- Drive ratio: 4.875:1 4.333:1 5.571:1
- Full floating banjo type.

SUSPENSION

FRONT	FRR 500	FRR 550	FTR 900
-------	---------	---------	---------

- Nominal size (mm): 1,350 x 70 1,350 x 70 1,470 x 80
- Total spring capacity: 3,850 kg 3,850 kg 6,130 kg (at ground)
- Spring type: Taper leaf Taper leaf Multi Leaf
- Single stage alloy steel springs. Fully wrapped eye with greasable shackles.
- Double acting, hydraulic shock absorbers.

REAR	FRR 500	FRR 550	FTR 900
------	---------	---------	---------

- Nominal size (mm): 1,300 x 70 1,300 x 70 1,420 x 80
- Total spring capacity: 7,330 kg 7,330 kg 10,050 kg (at ground)
- Two stage, alloy steel, multi-leaf springs. Fully wrapped eye with greasable shackles.

BRAKES

- | | FRR 500 & 550 | FTR 900 |
|--------------------------------|--------------------|------------------|
| Brake type: | Air over hydraulic | Full air 'S-cam' |
| Front drum diameter (mm): | 320 | 410 |
| Rear drum diameter (mm): | 320 | 410 |
| Swept area (cm ²): | 5,127 | 8,243 |
| Total air reservoir capacity: | 36 L | 78.5 L |
- Asbestos free lining material.

- Spring type parking brake acting on rear wheels.
- Air controlled exhaust brake.
- Air dryer.

STEERING

- Power assisted recirculating ball steering.
- | | FRR 500 & 550 | FTR 900 |
|---------------------------------------|--------------------------|----------------|
| • Gear ratio: | 16.1-18.8:1 | 22.4:1 |
| • Turns lock to lock: | 4.1 | 4.8 |
| • 51° wheel cut angle (inside wheel). | | |

WHEELS AND TYRES

FRR 500 & 550

- 6.00 x 17.5 Six stud wheels.
- 9.5R17.5 129/127L Michelin XZA Tubeless tyres.
- Maximum tyre rating: 1,850 kg per tyre (single tyres).
1,750 kg per tyre (dual tyres).
- 1 frame mounted spare wheel and tyre assembly.

FTR 900

- 8.25 x 22.5 Ten stud wheels.
- 275/70R22.5 148/145M Michelin XZE2 Tubeless tyres.
- Maximum tyre rating: 3,150 kg per tyre (single tyres).
2,900 kg per tyre (dual tyres).
- Frame mounted winch type spare wheel carrier.
Spare wheel and tyre assembly supplied.

AXLE LOAD SUMMARY

	FRONT	REAR
FRR 500 & 550		
Axle Capacity (kg):	3,600	7,700
Spring Capacity (kg):	3,850	7,330
Tyre Capacity (kg):	3,700	7,000
Limit (kg):	3,600	7,000
FTR 900		
Axle Capacity (kg):	6,500	9,200
Spring Capacity (kg):	6,130	10,050
Tyre Capacity (kg):	6,300	11,600
Legal Limit (kg):	6,000	9,000
Limit (kg):	6,000	9,000

Note: Vehicle loading limit is determined by the combination of axle loading limit, GVM and GCM limit, and government regulatory requirements. Consult your Isuzu dealer to select the correct vehicle for your specific application.

CHASSIS FRAME

- Cold riveted ladder frame with parallel side rails. HT540A high tensile weldable steel.
 - Frame dimensions **FRR 500 & 550** **FTR 900**
- | | | |
|------------------------|----------------|----------------|
| Side rail (mm): | 225 x 70 x 6.0 | 254 x 85 x 8.0 |
| Rear frame width (mm): | 840 | 850 |
- Frame reinforcement section (FRR 550, FTR 900).

ELECTRICAL SYSTEM

- 24 Volt electrical system.
- 24 Volt, 60 Amp alternator.
- 24 Volt, 4.5 kW starter motor.
- 2 x 75D23R (520CCA) batteries connected in series.

CABIN SPECIFICATIONS AND APPOINTMENTS

CAB EXTERIOR

- All steel cab, side door impact protection beams. Outer body panels galvanised, corrosion resistant primer treated cab.
- Electro-hydraulic tilt mechanism to 35°. Access to fluid checkpoints without tilting cab. Front access panel for clutch, windscreen washer fluids and cab air filter screen.
- Body coloured steel front bumper with step holes and footplate.
- 90° opening internally reinforced door. Heavy duty aluminium non slip entry steps.
- Tinted, laminated windscreen. 2 speed windscreen wiper system, variable intermittent wipe mode, triple washer jets.
- Halogen headlamps. Park lamps and roof-mounted clearance lamps.
- Combination brake, turn, reverse and marker lamps, registration plate illumination lamps. Extended wiring harness. Reverse alarm.
- "West Coast" type rear view mirrors. Large flat mirror glass with additional, independently adjustable convex "spot" mirror on both sides.

CAB INTERIOR

- FRR 500: Driver's seat with mechanical suspension, 3 way lumbar support, reclining back, seat slide and weight control. Reclining passenger bucket seat, centre seat with folding seat back.
- FRR 550 & FTR 900: Isringhausen ISRI 6500/517 air suspension driver's seat, auto weight adjustment to 130 kg. Height, rake and backrest recline adjustment. Pneumatic lumbar support. Reclining passenger bucket seat, centre seat with folding seat back.
- 2+2 person rear bench seat, premium cloth seat covering.
- 3-point, lap sash seatbelts with emergency locking belt retractors in all outboard seating positions. Centre lap seatbelts.

- "A" & "B" pillar entry assist grips. Full width grab rail for rear seat passengers. Interior lamp with On/Door/Off switch activated by front doors.
- Full interior panel trim, padded roof lining, vinyl floor mats. Windscreen header storage shelf. DIN sized aperture in dash for CB. Overhead console fitted with harness for CB.
- Tilt/Telescopic adjustable steering column, soft feel urethane steering wheel.
- 12 Volt, 100 Watt and 24 Volt, 2 pin accessory sockets located in centre console.
- Centre facia pullout drinks holder. Lockable storage compartment on centre seat back.
- Heater/Demister with 4-speed fan and outlets for windscreen, side windows, face and floor.
- Standard fully integrated air conditioning.
- Two speaker Eurovox Radio/CD player with digital anti skip memory.
- Remote seek/volume and mute switch located on dash to right of steering wheel.
- Optional 10 stack CD player.

DRIVER CONTROLS

- Key-operated engine start/stop and steering lock. Electronic throttle control. Engine idle speed control.
- Left side combination stalk: Windscreen wipers, washers, exhaust brake and hazard lights.
- Right side combination stalk: Turn signals and headlamps.

INSTRUMENTATION

- Gauges: Electronically driven speedometer, odometer, tripmeter, tachometer. Gauges for coolant temperature and brake air pressure.
- Warning lamps: Warning bulb check switch. Battery charge, brake system, engine malfunction, oil pressure, stop and tail lamp failure.
- Indicator lamps: Turn signals, parking brake, high beam, exhaust brake engaged.

FRR 500 & FRR 550 Crew

8FC03-2A0

8FF03-2C0

FTR 900 Crew

8FM03-4C0

PERFORMANCE (Calculated)

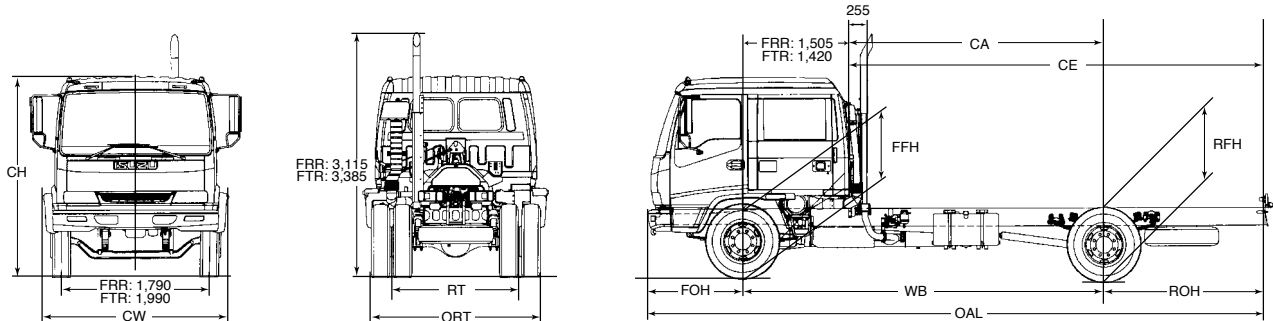
	FRR 500	FRR 550	FTR 900
Max Geared speed:	111 km/h @ 2,700 rpm	123 km/h @ 2,650 rpm	112* km/h @ 2,650 rpm
Gradeability (lowest gear):	41% at 10,400 kg GVM	42% at 10,400 kg GVM	34% at 15,000 kg GVM
Gradeability (top gear at 100 km/h):	1.9% (tray body at 10,400 kg GVM)	2.2% (tray body at 10,400 kg GVM)	1.5% (tray body at 15,000 kg GVM)
Engine speed (top gear at 100 km/h):	2,430 rpm	2,160 rpm	2,360 rpm

Performance figures quoted are representative only and based on typical dimensions, body styles and weights. Please consult your Isuzu dealer for an estimation based on your specific application. *Road speed limited to 100 km/h.

MODEL RATINGS AND DIMENSIONS

MODELS	RATINGS (kg)		TARE MASS [#] (kg)			DIMENSIONS (mm)											TURN CIRCLE TO KERB	
	GVM	GCM	TOTAL	FRONT	REAR	WB	OAL	FOH	ROH	CA	CE	RT	ORT	CH	CW	FFH UNLADEN UNLADEN		RFH
FRR 500	10,400	16,000	3,440	2,330	1,110	4,250	7,195	1,160	1,785	2,745	4,530	1,660	2,165	2,605	2,200	820	860	13.4 m
FRR 550	10,400	16,000	3,615	2,405	1,210	5,150	8,595	1,160	2,285	3,645	5,930	1,660	2,155	2,595	2,200	820	900	15.7 m
FTR 900	15,000	24,000	4,980	3,080	1,900	6,050	10,000	1,250	2,700	4,630	7,330	1,790	2,370	2,720	2,440	945	1,005	19.0 m

[#] Estimated mass of cab/chassis with oil, water and fuel tank containing 10 litres of fuel and excluding spare wheel (FRR: 47 kg, FTR: 95 kg) and tools (30 kg).



For further information regarding Cab/Chassis dimensions your Isuzu Dealer can access detailed Body Builders diagrams from the Isuzu Truck Technical Reference CD.

ISUZU NEW TRUCK WARRANTIES

STANDARD TRUCKPOWER WARRANTY*			TRUCKPOWER EXTENDED WARRANTY OPTIONS [#]		
NEW VEHICLE	3 years	150,000 km	4 years / 250,000 km	5 years / 300,000 km	6 years / 350,000 km
DRIVETRAIN	3 years	150,000 km			
CAB CORROSION	3 years	unlimited			

Why have Isuzu Trucks been Australia's No. 1 choice since 1989? *

- Widest range of models to suit most applications
- Premium componentry and Isuzu diesel engines
- Network of over 40 specialist Isuzu Dealerships and branches
- Sales, services and parts support
- Predictable operating costs through Dealer ISIS program
- Factory and range of extended warranties available
- High resale values
- Leading reputation for reliability

www.isuzu.com.au

* Source Truck Tracker 2002

*Subject to the conditions outlined in the I-GM New Vehicle Warranty, the Isuzu FRR & FTR models carry a standard factory warranty which covers the owner: (i) for the entire vehicle, for the first 36 months or 150,000 km (whichever comes first). (ii) for the drivetrain, which runs concurrently, for 36 months or 150,000 km (whichever comes first). (iii) against cab corrosion, for 36 months and unlimited kilometres.

[#] A TruckPower Extended Warranty as illustrated is available by purchase to cover the owner against the failure of original components, but excludes some components and expendable items such as oil, filters, etc. Please consult with your Isuzu Dealer for full details obtained from a dedicated brochure available to customers.

ISUZU-GENERAL MOTORS AUSTRALIA LTD A.C.N. 006 962 572. PLEASE NOTE: as the policy of I-GM is one of continual product improvement, all specifications and equipment are subject to change without notice. No I-GM dealer or other person is authorised or permitted to give or make any statement, assertion or undertaking in relation to the quality, performance, characteristics, descriptions or fitness for any purpose of any I-GM product or in connection with the supply of any I-GM product which is at variance with any written statement, assertion or undertaking on any of these subjects given or made by I-GM in its published sales literature, and the company accepts no liability for any such unauthorised action. I-GM has franchised dealers in many parts of Australia, for the sale of service, parts and the provision of service to the owners of I-GM products. Every endeavour is made to ensure that such dealers carry adequate stocks of service parts and are equipped to provide satisfactory service, but makes no promise, other than that contained in the I-GM new vehicle warranty, that such parts or service facilities will be available or available at any specific location or at any particular time. A word about this specification sheet. We have tried to make it as comprehensive and factual as possible. However, since the time of printing some of the information you will find here may have been updated. Also, some of the equipment shown or described through this specification sheet may have been changed and/or is available at extra cost. And the right is reserved to make changes at any time without notice, in prices, colours, materials, equipment and models. Your I-GM dealer has details and before ordering, you should ask him/her to bring you up to date.

SEPTEMBER 2003. ARK/GM 0090

ISUZU

RELIABILITY IS EVERYTHING