

BEDFORD BY **ISUZU**

JBR 420

JBR 420

CHASSIS/CAB



GVM 12000 kg (26455 lb.) WITH 9.00 x 20 — 12 PLY TYRES

ENGINE:

Model: Isuzu 6BB1 Diesel Engine.
Type: Four cycle, water cooled, overhead valve, in-line, direct injection.
No. of cylinders: 6.
Bore and stroke: 102 mm x 110 mm (4.02 ins. x 4.33 ins.).
Displacement: 5393 cm³/329 CID.
Max. net horsepower: 107 kW (143 bhp) @ 3,200 rpm.
Max. net torque: 343 Nm (253.2 lbs./ft.) @ 2,000 rpm.
Compression ratio: 17.5:1.
RAC rating: 39.

ENGINE LUBRICATION:

Pressure feed with full-flow paper element, oil cooler.
Capacity: 14.5 litres (26 Imp. pts.).

FUEL SYSTEM:

Injection pump: Reformed Bosch in-line with mechanical governor.
Fuel tank capacity: 100 litres (22.0 Imp. gals.).

AIR CLEANER:

Paper element with cyclone device.

AXLE, FRONT:

Capacity: 3500 kg (7716 lbs.).
Type: Reverse Elliott, I-beam.

AXLE, REAR:

Capacity: 9200 kg (20282 lbs.).
Type: Banjo, fully floating, single reduction, hypoid gear.
Final gear ratio (to 1): 6.500 (6/39).

BRAKES, SERVICE:

Type: Hydraulic with vacuum assisted, front leading trailing, rear leading trailing. Exhaust brake.
Total lining area: 3336 cm² (517 sq. ins.).

BRAKE, PARKING:

Type: Mechanical internal expanding at rear of transmission.

CLUTCH:

Type: Dry single plate with cushioning springs. Hydraulically operated.
Size: Outside diameter 300 mm (11.8 ins.).
Total frictional area: 846 cm² (131 sq. ins.).

COOLING SYSTEM:

Radiator: Tube and corrugated fin, pressured type.
Frontal area, radiator: 2614 cm² (405.17 sq. ins.).
Core thickness: 70 mm (2.76 ins.).

DRIVE LINE:

Type: Tubular shaft, needle bearing universal joint.

ELECTRIC SYSTEM:

Battery: 2 x 12 volt.
Capacity: 65 amp./hr. each battery. Negative earth.
Alternator: 24 volt/400 watt.
Starter: 24 volt/3.7 kW.

FRAME:

Type: Ladder type channel section.
Frame width: 800 mm (31.5 ins.).
Side member dimensions: Depth x width x thickness—
225 mm x 70 mm x 6 mm (8.865 ins. x 2.76 ins. x .2364 ins.).
Frame reinforcement: Full inner channel plating in area of rear axle. Inner upright "L" plating to the rear of the cab.

SPRINGS:

Type: Semi-elliptical alloy steel leaf springs.
Size: Length x Width—No. of leaves.
Front: 1300 mm (51.22 ins.) x 70 mm (2.76 ins.)—8.
Rear: 1420 mm (55.95 ins.) x 80 mm (3.15 ins.)—9.
Rear auxiliary: 1000 mm (39.4 ins.) x 80 mm (3.15 ins.)—7.
Shock absorbers: Hydraulic double acting telescopic shock absorbers at front.

STEERING:

Type: Recirculating ball with integral power assistance.
Gear ratio: 20.8:1.

TRANSMISSION:

5-speed, synchromesh on 2nd, 3rd, 4th, 5th gears. Floor mounted remote control. Power take-off with control cable.
Ratios (to 1):

1st	2nd	3rd	4th	5th	Reverse
6.378	3.610	2.181	1.439	Direct	5.835

WHEELS AND TYRES:

Dual rear wheels.
Wheels and rims: 6.50T x 20 rims, 8 hole disc wheels.
Tyres: 9.00 x 20—12 ply.

STANDARD EQUIPMENT:

All steel cab (tilt type). Adjustable driver seat. Two-speed windshield wiper. Windshield washer. Hazard warning flasher. Dual electric horn. Hydraulic jack and wheel wrench. Floor mat. Speedometer with odometer. Meter for fuel, water temperature. Warning lamp for charging, oil pressure, vacuum and clogged oil filter. Indicator lamp for turn signal, main beam, parking brake, starter heater control. Laminated windshield glass. Spare tyre carrier. Tachometer. Heater and demister. Radio. General hand tools.

GMH 12/20 WARRANTY:

Every Bedford by Isuzu is covered by the GMH Warranty which covers your vehicle for the first 12 months or 20,000 kilometres.

All illustrations and specifications contained in this sheet are based on the latest product information available at time of publication approval. The right is reserved to make changes at any time, without notice, in prices, colours, materials, equipment, specifications and models and to discontinue models. Check with your Bedford by Isuzu Dealer for complete information.



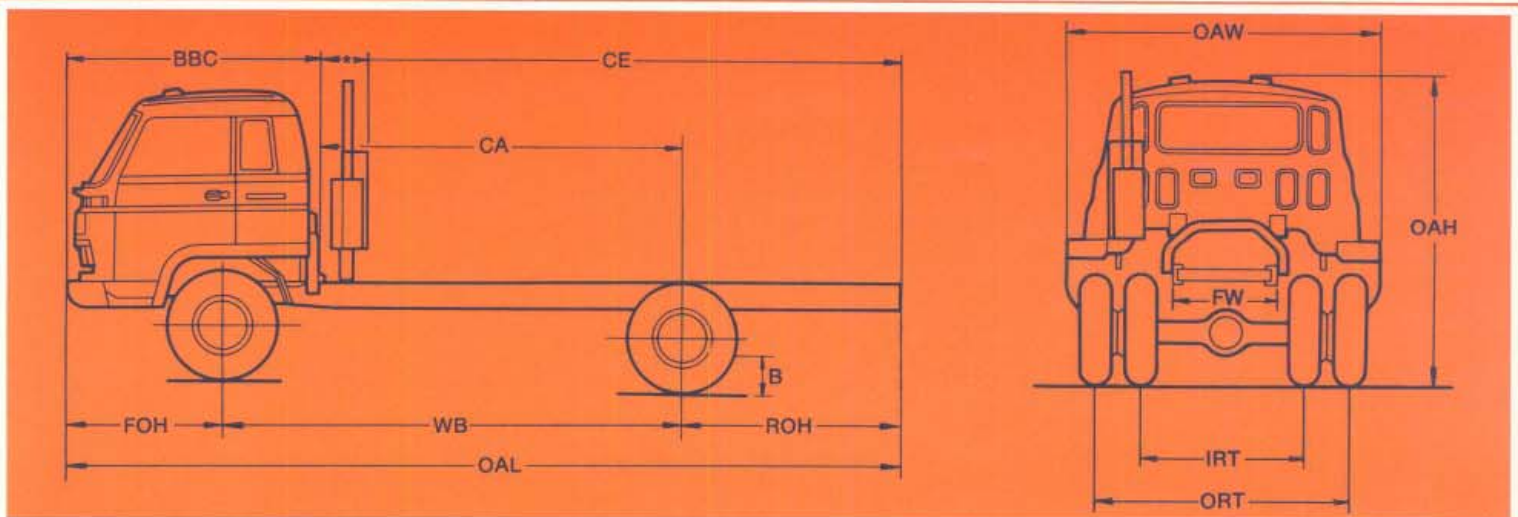
GMH Truck Division
General Motors- Holden's Sales Pty. Ltd.
Copyright Issued May, 1976.
Key. No. E113

BEDFORD BY
ISUZU

JBR 420

JBR 420

CHASSIS/CAB DIMENSIONS/CHASSIS WEIGHTS



LENGTHS:

		mm	inches
Wheelbase	WB	4,200	(165.4)
Front overhang	FOH	1,260	(49.6)
Rear overhang	ROH	1,900	(74.8)
Bumper—back of cab	BBC	2,020	(79.5)
Cab—axle	CA	3,440*	(135.4)
Cab to end of frame	CE	5,340*	(210.2)
Overall length	OAL	7,360	(289.8)

*CE and CA dimensions are effectively reduced by 300 mm (11.8 ins.) with fitment of vertical exhaust pipe and protector.

WIDTHS:

		mm	inches
Frame width	FW	800	(31.5)
Inside rear track	IRT	1,740	(68.5)
Outside rear track	ORT	2,270	(89.4)
Overall width	OAW	2,330	(91.7)

HEIGHTS:

		mm	inches
Overall height	OAH	2,475	(97.4)
Rear axle clearance	B	245	(9.6)

TURNING CIRCLE:

	metres	feet
	16.0	(52.5)

WEIGHT DISTRIBUTION:

	Front Axle	Rear Axle	Totals
Chassis			
Share of Body & Payload			
Options			
Totals			
Manufacturer's Rating			
Legal Allowances			
Manufacturer's G.V.M. Rating			
Actual G.V.M.			

ESTIMATED KERB WEIGHTS, CHASSIS AND CAB:

(With oil, water and full fuel tank) in kg & (lbs.).

GVM	Tyres	Front	Rear	Total
12000 (26455)	9.00 x 20 — 12 Ply	1995 (4398)	1310 (2888)	3305 (7286)