



# ISUZU JCR 500 CUSTOM

**GMH MODEL:** FTR 12L  
**ORDERING CODE:** 8DG 02  
 with H48

**STANDARD GVM** 12850 kg  
**STANDARD GCM** 18500 kg  
**TARE MASS (estimated)** 4015 kg

## DRIVELINE SPECIFICATION

### ENGINE

Model: ISUZU 6BG1  
 Type: 6 cylinder OHV diesel  
 Displacement: 6494cc  
 Max power: 120kW @ 2900 rpm  
 Max torque: 431 Nm @ 1800 rpm  
 Bore & Stroke 105 x 125mm  
 Compression ratio: 170:1  
 RAC Rating: 41.0

### TRANSMISSION

Model: ISUZU MBG5C  
 Type: 5 speed direct drive  
 Gear ratios (to 1)

1st	6.890
2nd	3.918
3rd	2.419
4th	1.569
5th	1.000
Rev	6.304

### AXLE, FRONT

Type: Reverse Elliot I beam  
 Capacity: 5000 kg

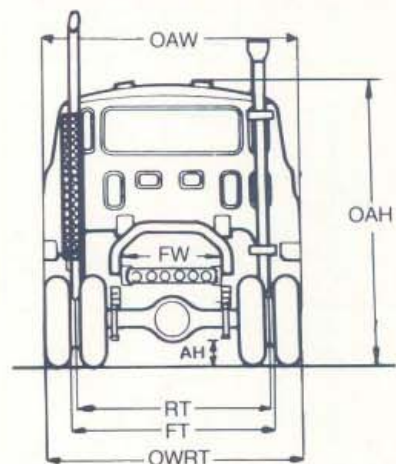
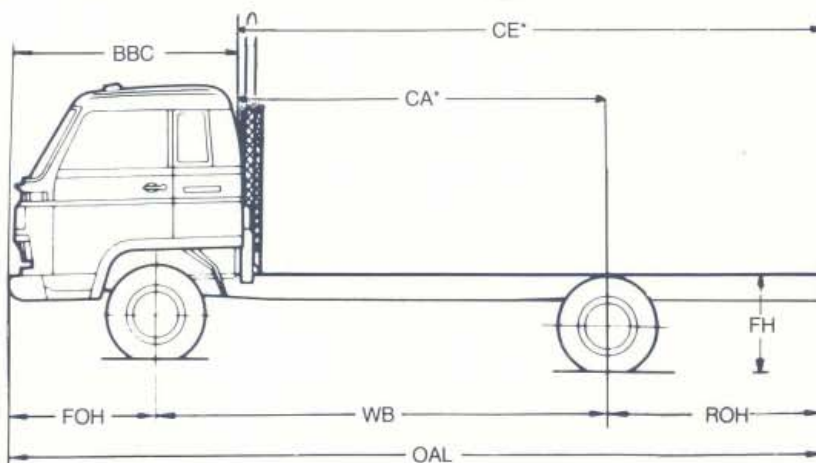
### AXLE, REAR

Type: Banjo fully floating 2 speed  
 Capacity: 9200 kg  
 Ratio: 5.471/6.937:1

## CHASSIS RATINGS

GROSS COMBINATION and GROSS VEHICLE MASS RATING (KG):			Estimated kerb mass (chassis and cab with oil, water and full fuel tank). (kg)			
<b>STD</b>	<b>GVM (kg)</b>	<b>GCM (kg)</b>	<b>Tyres</b>	<b>Front</b>	<b>Rear</b>	<b>Total</b>
<b>OPT</b>	12850	18500	9.00 x 20-12ply	2340	1675	4015
	13500		9.00 x 20-14ply			
	13500		9.00R x 20-14ply			
	13400		10.00 x 20-12ply			
	13500		10.00 x 20-14ply			
	13500		10.00 x 20-14ply frt, 12ply rear			
	13500	10.00 x 20-14ply				

## DIMENSIONS



### LENGTHS:

Overall length  
 Wheelbase  
 Cab to axle  
 Cab to end of frame  
 Front Overhang  
 Rear Overhang  
 Bumper to back of cab

OAL	(mm)	8460
WB		5000
CA*		4350
CE*		6550
FOH		1260
ROH		2200
BBC		1910

### HEIGHTS

Overall height  
 Ground to top of frame  
 Rear axle clearance

OAH	2495
FH	1000
AH	265

### TURNING CIRCLE

Kerb to kerb  
 Wall to wall

(m)	17.8
	19.2

### WIDTHS

Overall width  
 Frame width  
 Front track  
 Rear track  
 Outside width rear tyres

OAW	2370
FW	800
FT	1920
RT	1740
OWRT	2300

\*CA & CE dimensions are effectively reduced by 300mm with fitment of vertical air intake stack and exhaust pipe



# ISUZU

Reliability is everything.

# ISUZU JCR 500 CUSTOM

## CAB/CHASSIS COMPONENT SPECIFICATIONS

### AXLE, FRONT

Type: Reverse Elliot I beam  
Capacity: 5000 kg

### AXLE, REAR

Type: Banjo fully floating 2 speed  
Capacity: 9200 kg  
Ratio: 5.471/6.937:1  
Final Gear: 267mm  $\phi$  Hypoid

### BRAKES, SERVICE

Type: Air over hydraulic. Dual circuit. Front two leading, rear dual two leading, exhaust brake.  
Total lining area: 3968cm<sup>2</sup>

### BRAKE, PARKING

Type: Spring brake acting on rear wheels.

### CABIN EXTERIOR

All steel tilt cab with laminated windshield. 2 speed windshield wiper/washer with intermittent setting. West-coast type rear view mirrors. Dual round sealed beam headlamps. Foglamps. Vertical air intake stack. General hand tools and 7000kg capacity jack. Spare wheel and tyre.

### INTERIOR

Custom cab interior. Adjustable driver's suspension seat with adjustable lumbar support. Tilt telescopic adjustable steering wheel. Adjustable roof vents. Rear side vent windows. Passenger bucket seat and second passenger centre seat which lifts up for coolant and oil check. AM Radio. Heater/demister with 4 speed fan. Driver and passenger sunvisors. Suspended roof lining.

### INSTRUMENTATION

Speedometer and odometer. Tachometer. GAUGES for engine temperature, brake air pressure and fuel level. INDICATOR LAMPS for turn indicators, headlamp high beam, exhaust brake on and park brake on. WARNING LAMPS for low brake fluid, low brake air pressure, battery charge, clogged air filter, oil pressure. Left side combination switch for exhaust brake & two speed wipers with intermittent setting. Hazard warning switch. Fog lamp switch. Right combination switch for headlamps, turn signal and headlamp dip. Key operation auto engine stop.

### CLUTCH

Type: Dry single plate with cushioning springs, hydraulic control.  
Size: 350mm diameter

### ENGINE SPECIFICATION

Type: 6 cylinder OHV diesel  
Displacement: 6494cc  
Max. Power: 120 kW @ 2900 rpm  
Max. Torque: 431 Nm @ 1800 rpm  
Bore and Stroke 105 x 125 mm  
Compression ratio: 170:1  
RAC rating: 41.0

YOUR GMH ISUZU DEALER:

### LUBRICATION

Pressure feed with full-flow, paper element filter, oil cooler.  
Capacity 13.5 litres including filter.

### COOLING

Heavy duty radiator. Tube and corrugated fin.  
Size: 622 length x 559 width x 53 depth (mm)  
Frontal area: 0.348m<sup>2</sup>

### AIR CLEANER

Donaldson cyclopac 11" single stage type. Long vertical air intake stack.

### FUEL SYSTEM

Injection pump: Bosch A in-line with mechanical all speed governor/Fuel/water sedimentor & pre-fuel filter.  
Fuel tank capacity: 200 litre fuel

### ELECTRICAL SYSTEMS

Batteries: 2x 12 volt 53 A/H  
Alternator: 24 volt — 25 Amp  
Starter: 24 volt — 4.5 kW

### FRAME

Type: Ladder type channel section  
Side member dimensions: depth x width x thickness (mm)  
225 x 70 x 6  
Frame reinforcement: Full length inner channel section  
4.5mm thick

### STEERING

Type: Power assisted recirculating ball.  
Gear Ratio: 22.4:1

### SUSPENSION, FRONT

Type: Semi-elliptical alloy steel leaf springs  
Size: Length x Width — No leaves  
1300 x 70 — 8  
Shock absorbers: Hydraulic double acting

### SUSPENSION, REAR

Type: Semi-elliptical alloy steel leaf springs with sliding shackle  
Size: Length x Width (mm) — No. of leaves  
1420 x 80 — 9  
Auxiliary: Length x width (mm) — No. leaves  
1000 x 80 — 9

### TRANSMISSION

Type: 5 speed direct drive  
Gear ratios (to 1)  
1st 6.890 2nd 3.918 3rd 2.419 4th 1.569  
5th 1.000 Rev 6.304

### TYRES AND WHEELS

Tyre size: 9.00 x 20 — 12 ply  
Wheel type and size 700T x 20, 8 stud disc wheels

### GMH 12/20 WARRANTY

Every Isuzu is covered by the GMH warranty which covers the vehicle for the first 12 months or 20,000 kilometres.

Major engine components and driveline components have additional extended warranty. Please consult your GMH/ISUZU dealer for complete and accurate details.

PLEASE NOTE: As the policy of General Motors-Holden's is one of continual product improvement, all specifications and equipment are subject to change without notice. Bodies illustrated are not standard.

No GMH Dealer or other person is authorised or permitted to give or make any statement or undertaking in relation to the quality performance characteristics descriptions or fitness for any purpose of any GMH product or in connection with the supply of any GMH product, which is at variance with any written statement or undertaking on any of these subjects given or made by General Motors-Holden's Limited or General Motors-Holden's Sales Pty. Ltd. in its published sales literature, and neither company accepts any liability for any such unauthorised action.

General Motors-Holden's Limited and General Motors-Holden's Sales Pty. Ltd. have franchised dealers in many parts of Australia for the sale of service parts and the provision of service to owners of GMH's products. Every endeavour is made to ensure that such dealers carry adequate stocks of service parts, and are equipped to provide satisfactory service, but neither General Motors-Holden's Ltd. nor General Motors-Holden's Sales Pty. Ltd. makes any promise, other than that contained in the New Vehicle Warranty given by General Motors-Holden's Sales Pty. Ltd., that such parts or service facilities will be available, or available at any specific location or any particular time.

General Motors Holden's Sales Pty. Ltd.



# Reliability is everything.