



ISUZU SCR 480 CUSTOM

GMH MODEL: FSR 12LX
ORDERING CODE: 8DB02

STANDARD GVM 10500 kg
STANDARD GCM 15000 kg
TARE MASS (approx) 3230 kg

DRIVELINE SPECIFICATION

ENGINE

Model: ISUZU 6BG1
Type: 6 cylinder OHV Diesel
Displacement: 6494cc
Max power: 120kW @ 2900 rpm
Max torque: 431 Nm @ 1800 rpm
Bore & Stroke 105x125mm
Compression ratio: 170:1
RAC Rating: 41.0

TRANSMISSION

Model: ISUZU MBG 6R
Type: 6-speed overdrive
1st 6.890
2nd 3.918
3rd 2.419
4th 1.466
5th 1.000
6th 0.781
Rev 6.304

AXLE, FRONT

Type: Reverse Elliot I beam
Capacity: 3400 kg

AXLE, REAR

Type: Banjo fully floating
Capacity: 7700 kg
Ratio: 5.857:1

BRAKES

Air over hydraulic

WHEELBASE

4800mm

CHASSIS RATINGS

GROSS VEHICLE and GROSS COMBINATION MASS RATING (KG):

Estimated kerb mass (chassis and cab with oil, water and full fuel tank), (kg)

GVM
10500

GCM
15000

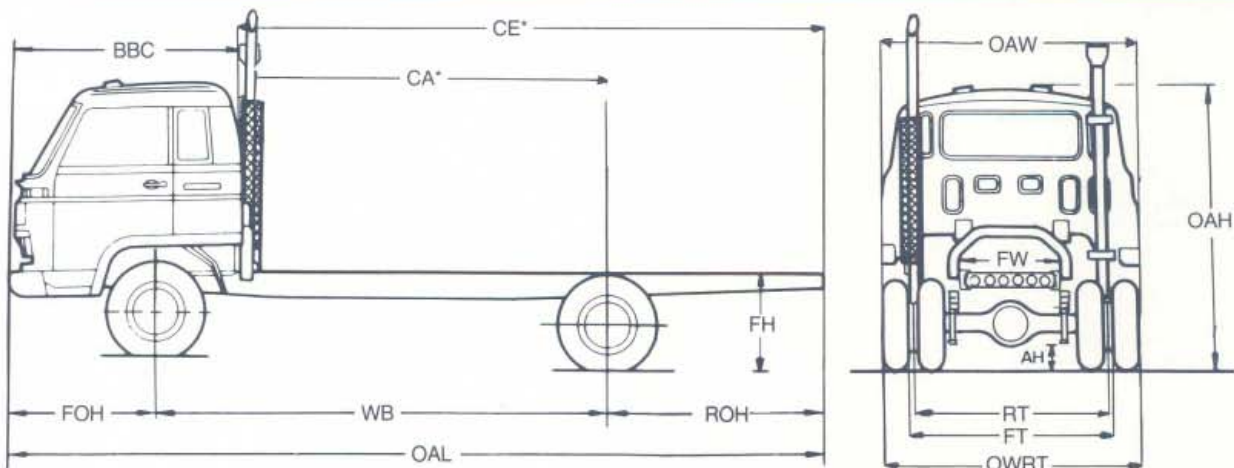
Tyres
8.25 x 20 12 ply

1990

1355

Total
3345

DIMENSIONS



LENGTHS

		(mm)
Overall length	OAL	8110
Wheelbase	WB	4800
Cab to axle	CA*	4100
Cab to end of frame	CE*	6200
Front Overhang	FOH	1210
Rear Overhang	ROH	2100
Bumper to back of cab	BBC	1910

*CA & CE dimensions are effectively reduced by 300mm with the fitment of vertical exhaust pipe and protector

WIDTHS

Overall width	OAW	2170
Frame width	FW	800
Front track	FT	1710
Rear track	RT	1630
Outside width rear tyres	OWRT	2165

HEIGHTS

Overall height	OAH	2420
Ground to top of frame	FH	940
Rear axle clearance	AH	270

TURNING CIRCLE

	(m)
Kerb to kerb	18.2
Wall to wall	19.2



ISUZU

Reliability is everything.

ISUZU SCR 480 CUSTOM

CAB/CHASSIS COMPONENT SPECIFICATIONS

AXLE, FRONT

Type: Reverse Elliot I beam
Capacity: 3400 kg

AXLE, REAR

Type: Banjo fully floating
Capacity: 7700 kg
Ratio: 5.857:1
Final Gear: 343mm diameter. Hypoid

BRAKES, SERVICE

Type: Air over hydraulic dual circuit, front two leading, rear dual two leading. Exhaust brake.
Total lining area: 3410cm²
Brake drum diameter: 370mm

BRAKE, PARKING

Type: Mechanical expanding at rear of transmission.

CABIN EXTERIOR

All steel tilt cab with laminated windshield. 2 speed windshield wiper/washer with intermittent setting. West-coast type rear view mirrors. Dual round sealed beam headlamps. Fog lamps. Vertical air intake stack. General hand tools and 7000kg capacity jack. Spare wheel and tyre.

INTERIOR

Custom cab interior. Adjustable driver's suspension seat with adjustable lumbar support. Tilt telescopic adjustable steering wheel. Adjustable roof vents. Rear side vent windows. Passenger bucket seat and second passenger centre seat which lifts up for coolant and oil check. AM Radio. Heater/demister with 4 speed fan. Driver and passenger sunvisors. Suspended roof lining.

INSTRUMENTATION

Speedometer and odometer. Tachometer. GAUGES for engine temperature, brake air pressure and fuel level. INDICATOR LAMPS for turn indicators, headlamp high beam, exhaust brake on and park brake on. WARNING LAMPS for low brake fluid, low brake air pressure, battery charge, clogged air filter, oil pressure. Left side combination switch for exhaust brake & two speed wipers with intermittent setting. Hazard warning switch. Fog lamp switch. Right combination switch for headlamps, turn signal and headlamp dip. Key operation auto engine stop.

CLUTCH

Type: Hydraulic control. Dry single plate.
Size: 325mm diameter.

ENGINE SPECIFICATION

Type: 6 cylinder OHV diesel
Displacement: 6494cc
Max. Power: 120 kW @ 2900 rpm
Max torque: 431 Nm @ 1800 rpm
Bore and Stroke: 105 x 125 mm
Compression ratio: 17.0:1
RAC rating: 41.0

YOUR GMH ISUZU DEALER:

LUBRICATION

Pressure feed with full flow paper element filter.
Capacity: 13.5 litres including filter

COOLING

Heavy duty radiator. Size: 622 x 559 x 53mm,
Frontal area: 0.348m²

AIR CLEANER

Paper element, Donaldson 11" Vertical air intake stack.

FUEL SYSTEM

Injection pump: Bosch X in-line with mechanical governor. Pre-fuel filter.

FUEL TANK CAPACITY

200 litres.

ELECTRICAL SYSTEMS

Batteries: 2 x 12V-53AH
Alternator: 24V-25A
Starter: 24V-4.5kW

FRAME

Type: Ladder type channel section
Side member dimensions: 225 x 70 x 6mm.
Frame reinforcement at: Cab back- 203 x 64 x 4.5mm angle section.
Rear axle- 213 x 64 x 3.2mm channel section.

STEERING

Type: Power assisted recirculating ball.
Gear ratio: 22.4:1

SUSPENSION, FRONT

Type: Semi-elliptical alloy steel leaf springs
Size: (Length x width x thickness (mm)-no. of leaves)
1200 x 70 x 10-8

Shock absorbers: Hydraulic double acting telescopic

SUSPENSION, REAR

Type: Semi-elliptical alloy steel leaf springs
Size: (Length x width x thickness (mm) —no. of leaves)
Main: 1300 x 70 x 11-8
Auxiliary: 850 x 70 x 11-8

TRANSMISSION

Type: Isuzu 6 speed overdrive
Gear ratios (to 1)
1st 6.890 2nd 3.918 3rd 2.419 4th 1.466
5th 1.000 6th 0.781 Rev 6.304

TYRES AND WHEELS

Tyre size: 8.25 x 20 — 12 ply.
Wheel type and size 6.50T x 20, 8 stud disc wheels.

GMH 12/20 WARRANTY

Every Isuzu is covered by the GMH warranty which covers the vehicle for the first 12 months or 20,000 kilometres.

Major engine components and driveline components have additional extended warranty. Please consult your GMH/ISUZU dealer for complete and accurate details.

PLEASE NOTE: As the policy of General Motors-Holden's is one of continual product improvement, all specifications and equipment are subject to change without notice. Bodies illustrated are not standard.

No GMH Dealer or other person is authorised or permitted to give or make any statement assertion or undertaking in relation to the quality performance characteristics descriptions or fitness for any purpose of any GMH product or in connection with the supply of any GMH product, which is at variance with any written statement assertion or undertaking on any of these subjects given or made by General Motors-Holden's Limited or General Motors-Holden's Sales Pty. Ltd. in its published sales literature, and neither company accepts any liability for any such unauthorised action.

General Motors-Holden's Limited and General Motors-Holden's Sales Pty. Ltd. have franchised dealers in many parts of Australia for the sale of service parts and the provision of service to owners of GMH's products. Every endeavour is made to ensure that such dealers carry adequate stocks of service parts, and are equipped to provide satisfactory service, but neither General Motors-Holden's Ltd. nor General Motors-Holden's Sales Pty. Ltd. makes any promise, other than that contained in the New Vehicle Warranty given by General Motors-Holden's Sales Pty. Ltd., that such parts or service facilities will be available, or available at any specific location or any particular time.

General Motors-Holden's Sales Pty. Ltd.



Reliability is everything.