

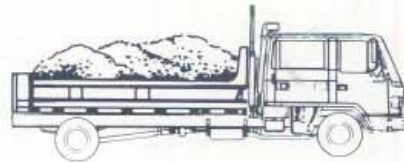
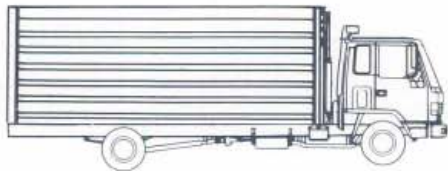
# ISUZU TRUCK SPECIFICATIONS

# 500

**4x2 LONG**

**MODEL:**  
FSR 500 Long  
FSR 500 Crew

**ORDERING CODE:**  
8EH02-321  
8EH02-321



## MODEL RANGE SUMMARY

	ENGINE	TRANSMISSION	AXLE FRONT	AXLE REAR		WHEELBASE (mm)	BRAKES
	6BG1 6.5l	MBG6P 6 Speed	3400kg Capacity	7700kg Capacity	Ratio:1	4800	Air over Hydraulic
<b>FSR 500 LONG</b>	●	●	●	●	4.750	●	●
<b>FSR 500 CREW</b>	●	●	●	●	4.750	●	●

## RATINGS

	GVM (kg)	GCM (kg)	TYRES	ESTIMATED KERB MASS (kg) *			MAX GEARED SPEED (km/h)
				Front	Rear	Total	
<b>FSR 500 LONG</b>	9300	15,000	8.25R-16 14 ply	1975	1135	3110	119
<b>FSR 500 CREW</b>	9300	15,000		2155	1185	3340	119

\* Chassis and cab with oil, water and fuel tank containing 10 litres of fuel.

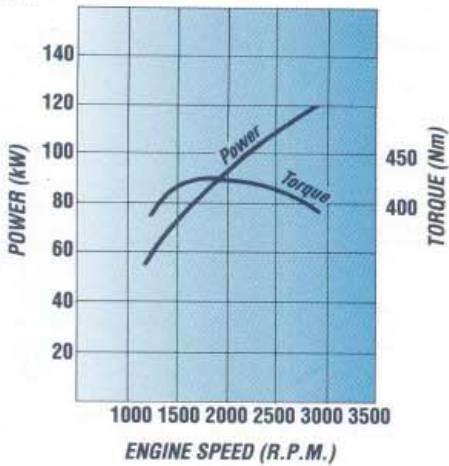
# MECHANICAL Cab/Chassis Components

		FSR 500 LONG	FSR 500 CREW
<b>AXLE FRONT</b>	Type: Reverse Elliot I-beam	●	●
	Capacity: 3400 kg	●	●
<b>AXLE REAR</b>	Type: Banjo, Fully Floating	●	●
	Capacity: 7700kg	●	●
	Final Gear: 343mm diameter Hypoid	●	●
	Ratio: 4.750:1	●	●
<b>BRAKE, AUXILIARY BRAKE, PARKING BRAKES, SERVICE</b>	Exhaust brake	●	●
	Type: Spring brake acting on rear wheels	●	●
	Type: Air over hydraulic, front two leading, rear dual two leading	●	●
	Total lining area: 3082cm <sup>2</sup>	●	●
	Brake drum diam: 320mm	●	●
<b>CABIN</b>	<b>EXTERIOR</b>		
	■ All steel tilt cab	●	
	■ All steel Power tilt cab		●
	■ Laminated windshield ■ 2 speed wiper with intermittent function and washer		
	■ West coast type rear view mirrors with width lamps ■ Dual square halogen headlamps	●	●
	■ Fog lamps ■ Tool kit with 7000kg capacity jack		
	■ Spare wheel and tyre		
	<b>INTERIOR</b>		
	■ AM Radio ■ Heater/Demister with 4 speed fan ■ Driver and passenger sunvisors	●	●
	■ Side vent windows ■ Overhead shelf		
	■ Fully trimmed cab interior including cloth seat facings	●	
	■ Formed roof lining * <i>O'head shelf * Tilt table</i>	●	
	■ Isri 5000 driver's seat with mechanical suspension, adjustments for seat back recline, seat slide and height control. Outboard seats have lap/sash seat belts with emergency locking retractor. Centre seat with lap seat belt	●	
	■ Air suspension driver's seat in lieu of mechanical type and lap belts in lieu of lap sash belts		●
	■ Seat material: Cloth	●	
■ Rear - Four seater bench seat ■ Vinyl trim in lieu of cloth including roof lining		●	
<b>INSTRUMENTATION</b>			
■ Speedometer with odometer ■ Tachometer	●	●	
■ GAUGES - water temperature, fuel level and brake air pressure			
<b>■ INDICATOR LAMPS</b>			
Turn signals, parking brake on, high beam on, exhaust brake on, brake fluid	●	●	
<b>■ WARNING LAMPS</b>			
Battery charge, oil filter, water separator, oil pressure, low air pressure, stop and tail light, brake system, air cleaner. Warning bulb checking switch	●	●	
<b>■ SWITCHES</b>			
Left side combination switch for exhaust brake, wipers and washer.	●	●	
Hazard lamp switch. Right combination switch for headlamps, turn signals and headlamp dip. Key operation for engine start and stop			
<b>CLUTCH ELECTRICAL SYSTEM</b>	Type: Hydraulic control. Dry single plate with cushioning springs Size: 325mm diam	●	●
	Batteries: 2 x 12V 53 A/H ■ Alternator: 24V - 40A ■ Starter: 24V - 4.5kW	●	●

		FSR 500 LONG	FSR 500 CREW	
<b>ENGINE</b>	<b>ISUZU 6BG1</b> Type: 6 Cylinder OHV diesel ■ Bore x Stroke (mm) 105 x 125 ■ Displacement 6494 (cc) ■ Compression ratios (:1) 17.0 ■ Output-Power (kW) 120 @ 2900 rpm (DIN Nett) ■ Torque (Nm) 431 @ 1800 rpm (DIN Nett)	●	●	
	<b>LUBRICATION</b> Pressure feed with full flow paper element filter, oil cooler ■ Capacity 12.5 litres, including filter	●	●	
	<b>COOLING</b> Fan Type: 6 blade plastic with thermatic clutch Size: 475mm dia. Radiator type: Tube and corrugated fin ■ Size: 622h x 559w x 53t (mm). Frontal area: 0.348m <sup>2</sup> with bell mouth fan ring	●	●	
	<b>AIR CLEANER</b> 2 stage Paper element, Donaldson (9"). High vertical air intake stack 2 stage Paper element, Donaldson (11"). High vertical air intake stack	●	●	
	<b>EXHAUST SYSTEM</b> Type: Vertical pipe	●	●	
	<b>FUEL SYSTEM</b> Injection pump: In line plunger, Bosch 'A' type with mechanical all speed governor ■ Fuel tank capacity: 200 litres	●	●	
	<b>FRAME</b>	Type: Parallel rails, ladder type channel section ■ Side member dimensions: 225 x 70 x 6mm ■ Frame reinforcement 189 x 4.5 at cab back Frame material: High tensile steel HT55, weldable	●	●
		<b>STEERING</b> Type: Power assisted recirculating ball ■ Gear ratio: 22.4:1	●	●
	<b>SUSPENSION</b>	<b>FRONT</b> Type: Semi-elliptical, alloy steel leaf springs. Capacity: 5100kg Size: l x w x t (mm): 1200 x 70 x 10 x 8 leaves. Shock absorbers: Hydraulic, double acting, telescopic	●	●
		<b>REAR</b> Type: Semi-elliptical, alloy steel leaf springs. Capacity: 11,020kg Size: l x w x t (mm): Main: 1300 x 70 x 11mm x 8 leaves Auxiliary: 850 x 70 x 10mm x 7 leaves	●	●
<b>TRANSMISSION</b>	Type: 6 speed overdrive Model: ISUZU MBG6P Gear Ratios: 1 - 1st    2nd    3rd    4th    5th    6th    Rev 6.378 3.627 2.239 1.452 1.000 0.787 5.835	●	●	
<b>TYRES</b>	Tyre size and type: 8.25R 16LT - 14 ply (Yokohama Y785)	F/R	F/R	
<b>WHEELS</b>	Wheel type and size: 6.00 GS x 16, 6 stud disc	●	●	

# ENGINE PERFORMANCE

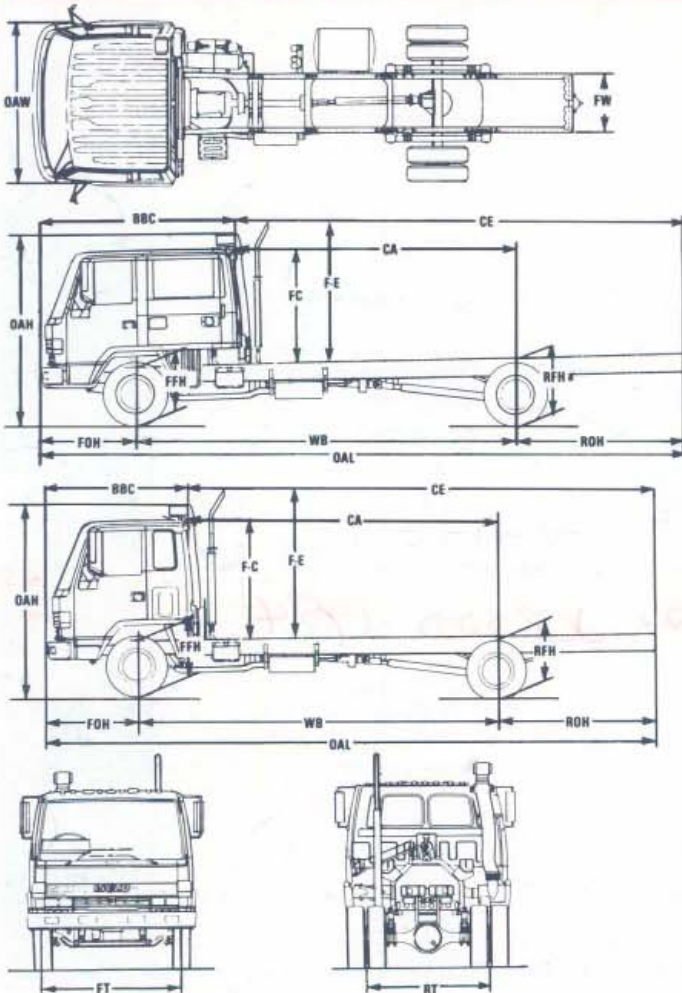
## 6BG1



### ISUZU 6BG1

Type: 6 Cylinder OHV diesel ■ Bore x Stroke (mm) 105 x 125  
 ■ Displacement 6494 (cc) ■ Compression ratio (:1) 17.0 ■ Output-Power (kW)  
 120 @ 2900 rpm (DIN Nett) ■ Torque (Nm) 431 @ 1800 rpm (DIN Nett)

# DIMENSIONS



	FSR 500 LONG	FSR 500 CREW
--	--------------------	--------------------

OAL (Overall length)	8130	8130
WB (Wheelbase)	4800	4800
CA (Cab to axle)*	4065	3310
CE (Cab to end of frame)*	6200	5445
ROH (Rear overhang)	2135	2135
FOH (Front overhang)	1195	1195
BBC (Bumper to back of cab)	1930	2685
OAW (Overall width)	2190	2190
FW (Frame width)	800	800
FT (Front track)	1790	1790
RT (Rear track)	1610	1610
FFH (Front frame height)	770	770
RFH (Rear frame height)	890	891
FC (Frame to top of cab)	1610	1610
FE (Frame to top of exhaust)	2340	2340
OAH (Overall height to top of air intake duct)	2570	2570
TURNING CIRCLE (m) kerb to kerb	15.7	15.7

\*CA and CE dimensions are effectively reduced by 245mm with fitment of vertical exhaust pipe.

ISUZU-GENERAL MOTORS AUSTRALIA LTD. 12/50 WARRANTY.  
 Every Isuzu F Series is covered by the I-GM New Vehicle Warranty which covers your vehicle for the first 12 months or 50,000 kilometres.

PLEASE NOTE: As the policy of Isuzu-General Motors Australia Ltd. is one of continual product improvement, all specifications and equipment are subject to change without notice. Bodies illustrated are not standard. No I-GM Dealer or other person is authorised or permitted to give or make any statement, assertion or undertaking in relation to the quality performance characteristics descriptions or fitness for any purpose of any I-GM product or in connection with the supply of any I-GM product which is at variance with any written statement assertion or undertaking on any of these subjects given or made by Isuzu-General Motors Australia Ltd. in its published sales literature, and the company accepts no liability for any such unauthorised action. Isuzu-General Motors Australia Ltd. have franchised dealers in many parts of Australia for the sale of service parts and the provision of service to owners of I-GM products. Every endeavour is made to ensure that such dealers carry adequate stocks of service parts, and are equipped to provide satisfactory service, but makes no promise, other than that contained in the New Vehicle Warranty given by Isuzu-General Motors Australia Ltd. that such parts or service facilities will be available, or available at any specific location or any particular time.

