



ISUZU NKR 57L

CREW CAB (REPLACES TLD 54)

GMH MODEL: NKR 57L5GW
ORDERING CODE: 8DH 63.

STANDARD GVM 5200 kg
STANDARD GCM 6800 kg
TARE MASS (est) 1936 kg

DRIVELINE SPECIFICATION

ENGINE

Model: ISUZU 4BC2
Type: Diesel 4 cylinder in-line
direct injection
Displacement: 3268cc
Max power: 65kW @ 3500 rpm
Max torque: 200 Nm @ 2200 rpm
Bore & Stroke 102 x 100mm
Compression ratio: 170:1
RAC Rating: 25.8

TRANSMISSION

Model: ISUZU MSB5M
Type: 5-speed overdrive
Gear ratios (to 1)

1st	5.608
2nd	2.822
3rd	1.665
4th	1.000
5th	0.793
Rev	5.347

AXLE, FRONT

Type: Reverse Elliot I Beam
Capacity: 2200 kg

AXLE, REAR

Type: Banjo fully floating
Capacity: 4000 kg
Ratio: 5.571:1

BRAKES

Vacuum Hydraulic

WHEELBASE

3360mm

CHASSIS RATINGS

GROSS COMBINATION and GROSS VEHICLE MASS RATING (KG):

GVM
5200

GCM
6800

Tyres
700 x 16-8ply

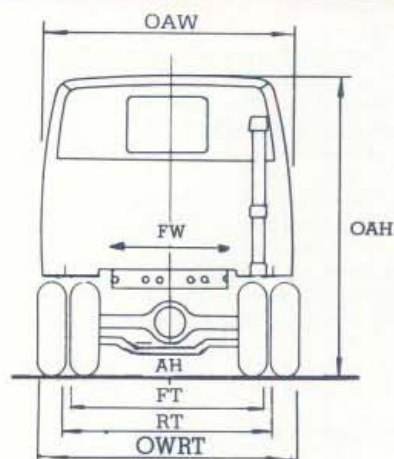
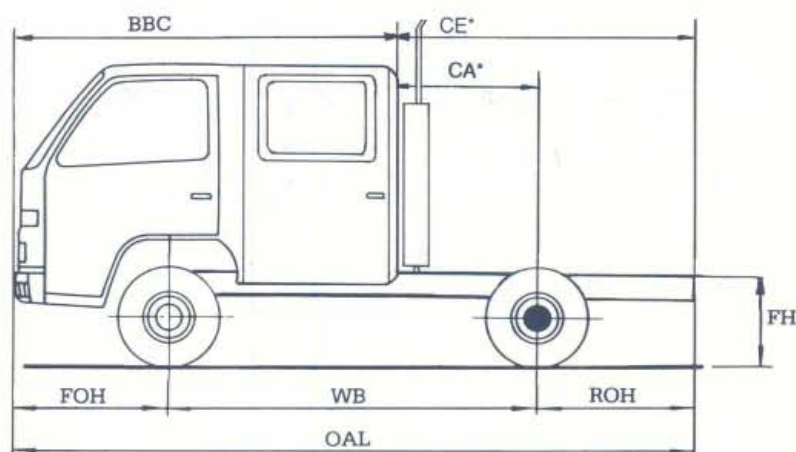
Estimated kerb mass (chassis and cab with oil, water
and full fuel tank). (kg)

Front
1282

Rear
654

Total
1936

DIMENSIONS



LENGTHS:

		(mm)
Overall length	OAL	5830
Wheelbase	WB	3360
Cab to axle	CA*	1930
Cab to end of frame	CE*	3385
Front Overhang	FOH	1015
Rear Overhang	ROH	1455
Bumper to back of cab	BBC	2445

HEIGHTS

Overall height	OAH	2020
Ground to top of frame	FH	780
Front Axle clearance	AH	200

TURNING CIRCLE

Kerb to kerb		(m)	13.6
Wall to wall			14.6

* CA & CE dimensions are effectively reduced by 200mm
with fitment of vertical exhaust

WIDTHS

Overall width	OAW	1690
Frame width	FW	700
Front track	FT	1385
Rear track	RT	1425
Outside width rear tyres	OWRT	1855



ISUZU
Reliability is everything.

ISUZU NKR 57L CREW CAB (REPLACES TLD 54)

CAB/CHASSIS COMPONENT SPECIFICATIONS

AXLE, FRONT

Type: Reverse Elliot I-Beam
Capacity: 2200 kg

AXLE, REAR

Type: Banjo fully floating
Capacity: 4000 kg
Ratio: 5.571:1
Final Gear: Hypoid

BRAKES, SERVICE

Type: Hydraulic, dual circuit, front two leading, rear dual two leading
Total lining area: 1752cm²

BRAKE, PARKING

Type: Mechanical, at rear of transmission.

CABIN EXTERIOR

Aerodynamic all steel cab, laminated windshield. 2 speed windshield wiper/washer. Double-action door hinges. Large non-skid entry steps to each side. Front quarter-vent windows. Four sealed beam rectangular headlamps. Energy absorbing polypropylene front bumper. Large exterior mirrors. General hand tools and 4000kg capacity jack.

INTERIOR

Adjustable and reclining driver's bucket seat. 2 seater front and 3 seater rear passenger seats. Full length glove compartment. Window washer tank located in passenger door. Front side quarter vent windows. AM Radio. Heater demister with 3 speed fan. Driver and passenger sunvisors. Padded roof lining. Easy access pull down fuse cover. Rear floor mat.

INSTRUMENTATION

Speedometer with odometer and trip meter. GAUGES for fuel level and engine temperature. INDICATOR LIGHTS for turn signal, park brake on and headlamp high beam. WARNING LAMP for battery charge, brake failure, glow plug, oil pressure. Left side combination switch for windscreen wash/2 speed windscreen wipers. Right side combination switch for turn indicators and headlamps. Foglamp switch.

CLUTCH

Type: Dry single plate with diaphragm spring, Hydraulic control and automatic adjusting clutch cylinder
Size: 260mm outside diameter.

ENGINE SPECIFICATION

Type: Diesel 4 cylinder in-line direct injection
Displacement: 3268cc
Max power 65 kW @ 3500 rpm
Max torque 200 Nm @ 2200 rpm
Bore and Stroke 102 x 100 mm
Compression ratio: 170:1
RAC rating 25.8
Automatic engine stop device (fuel cut.)

LUBRICATION

Pressure feed with full flow paper element oil filter. Capacity 8.0 litres with filter.

COOLING

400mm plastic fan.

AIR CLEANER

Type: Paper element.

FUEL SYSTEM

Fuel injection pump: In-line plunger, Bosch 'A', all speed mechanical governor.
Fuel filter/water separator.
Fuel tank capacity: 90 litres.

ELECTRICAL SYSTEMS

Batteries: 2 x 12 volt 65 Amp/hour
Alternator: 24 volt — 25 Amp
Starter: 24 volt — 3.5 kW

FRAME

Type: Ladder type channel section
Side member dimensions:
Height x Width x Thickness:
170 x 65 x 4.5mm

STEERING

Type: Recirculating ball, 430mm diameter 2 spoke steering wheel
Gear Ratio: 1.26 ~ 30.5

SUSPENSION, FRONT

Type: Semi-elliptical alloy steel leaf springs
Size: Length x Width (mm) — No. of leaves
1140 x 60 — 7

Shock absorbers: Hydraulic double acting telescopic

SUSPENSION, REAR

Type: Semi-elliptical alloy steel leaf springs
Size: Length x Width (mm) — No. of leaves
Main 1250 x 70 — 4
Auxiliary 850 x 70 — 5

Shock absorbers: Hydraulic, double acting telescopic

TRANSMISSION

Type: 5 speed overdrive
Gear ratios (to 1)
1st 5.608 2nd 2.822 3rd 1.665 4th 1.000
5th 0.793 Rev 5.347

TYRES AND WHEELS

Tyre size: 700 x 16 — 8 ply
Wheel type and size 5.50 F x 16
Spare tyre and wheel mounted on carrier

GMH 12/20 WARRANTY

Every Isuzu is covered by the GMH warranty which covers your vehicle for the first 12 months or 20,000 kilometres.

PLEASE NOTE: As the policy of General Motors-Holden's is one of continual product improvement, all specifications and equipment are subject to change without notice. Bodies illustrated are not standard.

No GMH Dealer or other person is authorised or permitted to give or make any statement assertion or undertaking in relation to the quality performance characteristics descriptions or fitness for any purpose of any GMH product or in connection with the supply of any GMH product, which is at variance with any written statement assertion or undertaking on any of these subjects given or made by General Motors-Holden's Limited or General Motors-Holden's Sales Pty. Ltd. in its published sales literature, and neither company accepts any liability for any such unauthorised action.

General Motors-Holden's Limited and General Motors-Holden's Sales Pty. Ltd. have franchised dealers in many parts of Australia for the sale of service parts and the provision of service to owners of GMH's products. Every endeavour is made to ensure that such dealers carry adequate stocks of service parts, and are equipped to provide satisfactory service, but neither General Motors-Holden's Ltd. nor General Motors-Holden's Sales Pty. Ltd. makes any promise, other than that contained in the New Vehicle Warranty given by General Motors-Holden's Sales Pty. Ltd., that such parts or service facilities will be available, or available at any specific location or any particular time.

General Motors-Holden's Sales Pty. Ltd.

YOUR GMH ISUZU DEALER:



Reliability is everything.