



ISUZU NKR 57E

Dual Rear Wheels (REPLACES TLD 44)

GMH MODEL: NKR 57E-5H
ORDERING CODE: 8DD 01.

STANDARD GVM 4800 kg
STANDARD GCM 6300 kg
TARE MASS 1780 kg

DRIVELINE SPECIFICATION

ENGINE

Model: ISUZU 4BC2
Type: Diesel 4 cylinder in-line
direct injection
Displacement: 3268cc
Max Power: 65 kW @ 3500 rpm
Max Torque: 200 Nm @ 2200 rpm
Bore & Stroke: 102 x 100 mm
Compression ratio: 170:1
RAC Rating: 25.8

TRANSMISSION

Model: ISUZU MSB5M
Type: 5-speed overdrive
Gear ratios (to 1)

1st	5.594
2nd	2.814
3rd	1.660
4th	1.000
5th	0.794
Rev	5.334

AXLE, FRONT

Type: Reverse Elliot I Beam
Capacity: 2200 kg

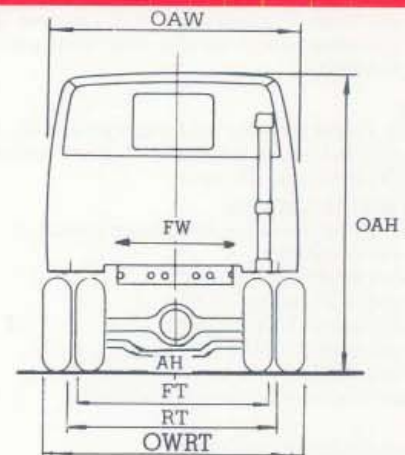
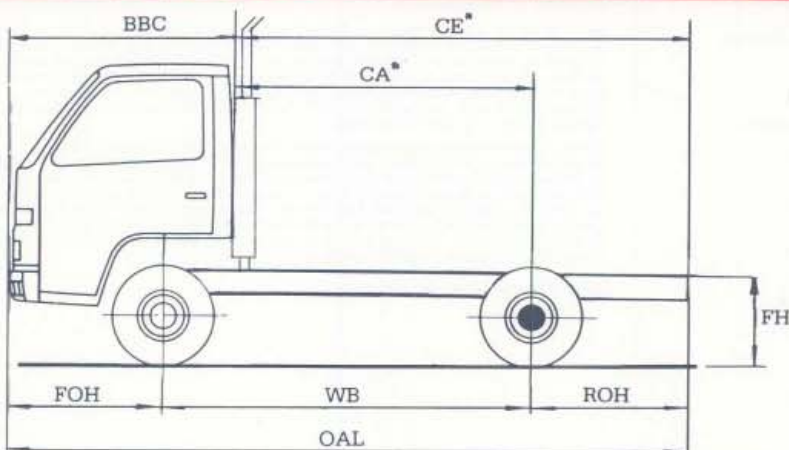
AXLE, REAR

Type: Banjo fully floating
Capacity: 4000 kg
Ratio: 5.875:1

CHASSIS RATINGS

GROSS VEHICLE AND GROSS COMBINATION MASS RATING (kg).			Estimated kerb mass (chassis and cab with oil, water and full fuel tank). (kg.)		
GVM 4800	GCM 6300	TYRES 700x16-8 ply	Front 1190	Rear 590	Total 1780

DIMENSIONS



LENGTHS:

		(mm)
Overall length	OAL	4610
Wheelbase	WB	2460
Cab to axle	CA*	2005
Cab to end of frame	CE*	3140
Front Overhang	FOH	1015
Rear Overhang	ROH	1135
Bumper to back of cab	BBC	1490

HEIGHTS

Overall height	OAH	2020
Ground to top of frame	FH	780
Front Axle clearance	AH	200

TURNING CIRCLE

Kerb to kerb	(m)	10.4
Wall to wall		11.6

*CA & CE dimensions are effectively reduced by 200mm with fitment of vertical exhaust

Overall width	OAW	1690
Frame width	FW	700
Front track	FT	1385
Rear track	RT	1425
Outside width rear tyres	OWRT	1855



ISUZU
Reliability is everything.

ISUZU NKR 57E

Dual Rear Wheels (REPLACES TLD 44)

CAB/CHASSIS COMPONENT SPECIFICATIONS

AXLE, FRONT

Type: Reverse Elliot I beam
Capacity: 2200 kg

AXLE, REAR

Type: Banjo fully floating
Capacity: 4000 kg
Ratio: 5.875:1
Final Gear: Hypoid

BRAKES, SERVICE

Type: Hydraulic, dual circuit, front two leading, rear dual two leading
Total lining area: 1752cm²

BRAKE, PARKING

Type: Mechanical, at rear of transmission.

CABIN EXTERIOR

Aerodynamic all steel tilt type cab laminated windshield. 2 speed windshield wiper/washer. Double-action door hinges. Large non-skid entry steps to each side. Front quarter-vent windows. Four sealed beam rectangular headlamps. Fog lamps. Energy absorbing polypropylene front bumper. Large exterior mirrors. General hand tools and 4000kg capacity jack.

INTERIOR

Adjustable and reclining driver's bucket seat. 2 seater passenger seat which lifts for oil and coolant check. Full length glove compartment. Window washer tank located in passenger door. Front side quarter vent windows. AM Radio. Heater demister with 3 speed fan. Driver and passenger sunvisors. Padded roof lining. Easy access pull down fuse cover.

INSTRUMENTATION

Speedometer with odometer and trip meter. GAUGES for fuel level and engine temperature. INDICATOR LIGHTS for turn signal, park brake on and headlamp high beam. WARNING LAMP for battery charge, brake failure, glow plug, oil pressure. Left side combination switch for windscreen wash/2 speed windscreen wipers. Right side combination switch for turn indicators and headlamps. Foglamp switch.

CLUTCH

Type: Dry single plate with diaphragm spring, hydraulic control with automatic adjusting clutch cylinder.
Size: 260mm outside diameter.

ENGINE SPECIFICATIONS

Type: Diesel 4 cylinder in-line direct injection
Displacement 3268cc
Max power 65 kW @ 3500 rpm
Max torque 200 Nm @ 2200 rpm
Bore and Stroke 102 x 100 mm
Compression ratio: 17.0:1
RAC rating 25.8
Automatic engine stop device (fuel cut.)

YOUR GMH ISUZU DEALER:

LUBRICATION

Pressure feed with full flow paper element oil filter.
Capacity 8.0 litres with filter.

COOLING

400mm plastic fan.

AIR INTAKE

Vertical air intake behind cab

AIR CLEANER

Type: Paper element (cartridge type) mounted high on chassis

FUEL SYSTEM

Fuel injection pump: In-line plunger, Bosch A, all speed mechanical, governor, fuel filter/water separator.
Fuel tank capacity: 90 litre

ELECTRICAL SYSTEMS

Batteries: 2 x 12 volt 60 Amp/hour
Alternator: 24 volt — 20 Amp
Starter: 24 volt — 3.5 kW

FRAME

Type: Ladder type channel section
Side member dimensions:
Height x Width x Thickness:
170 x 65 x 4.5mm

STEERING

Type: Recirculating ball, 430mm diameter 2 spoke steering wheel
Ratio: 26 ~ 30.5:1

SUSPENSION, FRONT

Type: Semi-elliptical alloy steel leaf springs
Size: Length x Width — No. of leaves
1140mm x 60mm — 7
Shock absorbers: Hydraulic double acting telescopic

SUSPENSION, REAR

Type: Semi-elliptical alloy steel leaf springs
Size: Length x Width (mm) — No. of leaves
Main 1250 x 70 — 4
Auxiliary 850 x 70 — 5
Shock absorbers: Hydraulic, double acting telescopic

TRANSMISSION

Type: 5 speed overdrive
Gear Ratios (to 1)
1st 5.594 2nd 2.814 3rd 1.660 4th 1.000
5th 0.794 Rev 5.334

TYRES AND WHEELS

Tyre size: 700 x 16 — 8 ply
Wheel type and size 5.50 F x 16
Spare tyre and wheel mounted on carrier

WARRANTY:

Every Isuzu is covered by the GMH warranty which covers your vehicle for the first 12 months or 20,000 kilometres.

PLEASE NOTE: As the policy of General Motors-Holden's is one of continual product improvement, all specifications and equipment are subject to change without notice. Bodies illustrated are not standard.

No GMH Dealer or other person is authorised or permitted to give or make any statement or undertaking in relation to the quality performance characteristics descriptions or fitness for any purpose of any GMH product or in connection with the supply of any GMH product, which is at variance with any written statement or undertaking on any of these subjects given or made by General Motors-Holden's Limited or General Motors-Holden's Sales Pty. Ltd. in its published sales literature, and neither company accepts any liability for any such unauthorised action.

General Motors-Holden's Limited and General Motors-Holden's Sales Pty. Ltd. have franchised dealers in many parts of Australia for the sale of service parts and the provision of service to owners of GMH's products. Every endeavour is made to ensure that such dealers carry adequate stocks of service parts, and are equipped to provide satisfactory service, but neither General Motors-Holden's Ltd. nor General Motors-Holden's Sales Pty. Ltd. makes any promise, other than that contained in the New Vehicle Warranty given by General Motors-Holden's Sales Pty. Ltd., that such parts or service facilities will be available, or available at any specific location or any particular time.

General Motors Holden's Sales Pty. Ltd.



Reliability is everything.