

Model	NKR200
GVM	4,200kg - 4,490kg
GCM	5,450kg - 7,990kg
Engine Type:	Isuzu SiTEC 110
Displacement:	4,334 cc
Power*:	85 kW @ 3,200 RPM
Torque*:	285 Nm @ 1,800 RPM



Cab/Chassis specification as at June 2002

CABIN SPECIFICATIONS AND APPOINTMENTS

CABIN EXTERIOR

- All steel cabin with manual tilting to 45°.
- Extended front wheel arch spray suppression guards.
- 90° opening, internally reinforced doors.
- Aluminium, non-slip entry steps.
- "West Coast" type rear view mirrors. Flat mirror glass with additional, independently adjustable convex "spot" mirror on both sides.
- Access to fluid check points without tilting cab.
- Tinted and laminated windshield.
- 2-speed windshield wiper system with intermittent wipe mode. Windshield washer system with triple washer jets on each wiper arm.
- Single-piece headlamps, incorporating turn signals

CABIN INTERIOR

- Entry assist handles on 'A' pillars.
- Passenger side assist grip.
- Driver's bucket seat with reclining back and fore-aft adjustment. 2-person passenger bench seat with folding seat back. Seat cushion tilts for access to engine. Fire resistant cloth seat facings.
- 3-point, lap-sash seatbelts with emergency locking belt retractors in outboard seating positions. 2-point lap seatbelt in centre seating position.

- Driver and passenger fold-down sun visors.
- Interior rear-vision mirror.
- Full interior panel trim with padded roof lining and vinyl floor mats. Windscreen header storage shelf.
- "Glove" compartment with door.
- "Soft feel" urethane steering wheel.
- Steering column with tilt and telescopic adjustment
- Heater / Demister with 4-speed fan and windscreen, face and floor outlets.
- Optional fully integrated air conditioning.
- Electric windows.
- Central locking with remote keyless entry.
- Fore-aft adjustable roof vent.
- AM / FM Stereo Radio / Cassette with integrated digital clock. Optional 10 stack CD player.
- Centre fascia pull-out drinks holder.
- Easy access fuse panel (behind glove compartment door).
- Windshield washer reservoir under glove compartment.
- Centre fascia and driver's door ashtrays.
- Interior lamp with On / Door / Off switch, activated by either door.

CONTROLS

- Key-operated engine start / stop and steering lock. Engine fast-idle vernier.
- Left Side Combination Stalk: Windshield wipers and washer.
- Right Side Combination Stalk: Turn signals; position, main and high beam lamps. Hazard flash switch.
- Additional interior lamp switch on instrument panel adjacent to driver's door.

INSTRUMENTATION

- Gauges: Electronically driven speedometer and tachometer. Digital odometer with integrated, dual tripmeter. Engine coolant temperature and fuel level.
- Warning Lamps: Low battery charge, brake failure, low fuel level, glow plug, water separator.
- Indicator Lamps: Turn signals, parking brake, high beam.

TOOLS

- Chassis frame mounted spare wheel and tyre winch. Wheel changing tools including 4,000kg capacity hydraulic jack. Hand tools in kit bag.

ISUZU NEW TRUCK WARRANTIES

STANDARD TRUCKPOWER WARRANTY*		
NEW VEHICLE	3 years	100,000km
DRIVETRAIN	3 years	100,000km
CAB CORROSION	3 years	unlimited

* Subject to the conditions outlined in the I-GM New Vehicle Warranty, the Isuzu NKR models carry a standard factory warranty which covers the owner: (i) for the entire vehicle, for the first 36 months or 100,000km (whichever comes first) (ii) for the drivetrain, which runs concurrently, for 36 months or 100,000km (whichever comes first) (iii) against cab corrosion, for 36 months and unlimited kilometres.

ISUZU
RELIABILITY IS EVERYTHING

ISUZU-GENERAL MOTORS AUSTRALIA LTD A.C.N. 006 962 572. PLEASE NOTE: as the policy of I-GM is one of continual product improvement, all specifications and equipment are subject to change without notice. No I-GM dealer or other person is authorised or permitted to give or make any statement, assertion or undertaking in relation to the quality, performance, characteristics, descriptions or fitness for any purpose of any I-GM product or in connection with the supply of any I-GM product which is at variance with any written statement, assertion or undertaking on any of these subjects given or made by I-GM in its published sales literature, and the company accepts no liability for any such unauthorised action. I-GM has franchised dealers in many parts of Australia, for the sale of service, parts and the provision of service to the owners of I-GM products. Every endeavour is made to ensure that such dealers carry adequate stocks of service parts and are equipped to provide satisfactory service, but makes no promise, other than that contained in the I-GM new vehicle warranty, that such parts or service facilities will be available or available at any specific location or at any particular time. A word about this specification sheet. We have tried to make it as comprehensive and factual as possible. However, since the time of printing some of the information you will find here may have been updated. Also, some of the equipment shown or described through this specification sheet may have been changed and/or is available at extra cost. And the right is reserved to make changes at any time without notice, in prices, colours, materials, equipment and models. Your I-GM dealer has details and before ordering, you should ask him/her to bring you up to date.

DRIVELINE SPECIFICATIONS

ENGINE: SiTEC 110 (ISUZU 4HF1)

Type: 4 cylinder, 4 stroke, overhead camshaft, direct injection diesel.

Bore x Stroke: 112 mm x 110 mm

Displacement: 4,334 cc

Compression Ratio: 19.0:1

Output Power*: 85 kW @ 3,200 RPM

Torque*: 285 Nm @ 1,800 RPM

Emissions Standard: Euro1/ADR70

* Engine performance standard in DIN (Nett).

- Integral engine oil cooler.
- Separate full-flow and bypass engine oil filters.
- Bosch 'A' type fuel injection pump with 'RLD' all-speed governor. Quick-start glow plug cold starting aid.

AIR INTAKE SYSTEM:

Short/medium

- Chassis mounted, cartridge type, 197 mm diameter air filter. Vertical air intake stack and resonator mounted at cabin rear.

Flat Low

- Chassis mounted, cartridge type, 150 mm diameter air filter and resonator mounted under cabin.

COOLING SYSTEM

- Pressurised cooling system. Tube and corrugated fin type radiator with:
 - 2,447 cm² frontal area - Short/Medium.
 - 2,155 cm² frontal area - Flat low
- 8-blade, plastic, 430 mm diameter cooling fan with thermatic / viscous type clutch.

EXHAUST SYSTEM

- Horizontal exhaust silencer and outlet pipe.

FUEL SYSTEM

- Rectangular steel fuel tank with 70 litre liquid capacity and 5 litre expansion space. Total 75L
- Fuel / water separator with warning lamp.
- Single stage fuel filter.

CLUTCH

- Hydraulically actuated, 300 mm diameter, dry single plate with 8 coil cushioning springs, single diaphragm pressure spring. Asbestos free clutch lining material. Total lining area 847 cm².
- Automatic clutch adjuster

TRANSMISSION: ISUZU MXA-5R

- 5 forward speeds including overdrive, 1 reverse speed, synchromesh on all gears. P.T.O. opening left hand side.

Gear Ratios:

1st	2nd	3rd	4th	5th	Rev
4.987:1	2.870:1	1.594:1	Direct	0.728:1	4.774:1

- Maximum Geared Speed:
 - Short/Medium: 112 km/h @ 3,400 RPM
 - Flat Low: 119km/h @ 3,400 RPM

- Single piece propeller shaft with 82.6 mm tube diameter (Short/Flat Low).
- Two piece propeller shaft with 82.6mm tube diameter (Medium).

FRONT AXLE: ISUZU F022

- Reverse Elliot I-Beam with 2,200 kg capacity.
- 30 mm diameter king-pin with ball type thrust bearing.

REAR AXLE: ISUZU R040

- Banjo type with full floating axle shafts.
- Axle tube size: 96 mm x 96 mm x 6 mm
- Rated capacity: 4,000 kg
- Single reduction, hypoid gearing with 292 mm ring gear and 4-pinion differential.
- Short/Medium Drive ratio: 5.857:1
- Flat Low Drive ratio: 4.555:1

CHASSIS SPECIFICATIONS

CHASSIS FRAME

- [section rails with cold rivetted cross members forming ladder type frame.
- Rail dimensions:

	Short /Med	Flat Low
Web mm:	170 x 4.5	170 x 4.5
Flanges mm:	65 x 4.5	50 x 4.5
- Frame width at chassis end: 700 mm | 800mm

SUSPENSION

FRONT

- Alloy steel, multi-leaf springs with fully wrapped eye and metalastic bushes.
 - Nominal size: 1,140 mm x 60 mm
- Hydraulic, double acting, telescopic shock absorbers.
- Stabiliser bar. (Flat Low model only).

REAR

- Alloy steel, multileaf, two-stage springs. Fully wrapped main spring eyes with metalastic bushes.
 - Nominal spring lengths:

	Short /Med	Flat Low
Main spring mm:	1,250 x 70	1,200 x 70
Auxiliary spring mm:	850 x 70	900 x 70
- Hydraulic, double acting, telescopic shock absorbers.

BRAKES

- Front and rear drum brakes with dual circuit hydraulic control, vacuum assistance and load sensing proportioning valve.

	Short /Med	Flat Low
Front Drum Diameter mm:	320	300
Rear Drum Diameter mm:	320	229
- Slave cylinder / shoe types:
 - Front: Two leading, manual adjust.
 - Rear: Dual two leading, manual adjust.
- Asbestos free brake linings.
- Lining size (per wheel end):

	Short /Med	Flat Low
Front mm:	2 x 307 x 75 x 9.6	2 x 293 x 75 x 6.0
Rear mm:	2 x 293 x 75 x 6.0	2 x 223 x 75 x 4.9

- Electro-vacuum controlled, butterfly type, 70 mm diameter Exhaust Brake.
- Drum parking brake on transmission output shaft. Control lever floor-mounted LHS of driver's seat.

STEERING

- Integral power assisted, recirculating ball type steering. Lube-for-life drag link. Gear driven, vane type oil pump.
- Gear ratio: 22.6:1
- Turns lock to lock: 4.3

WHEELS AND TYRES

Short/Medium:

- 5.50F x 16 JIS 5 stud disc wheels.
- Tyre size: 7.00R16.
- Total of 7 wheels and tyres supplied including 1 spare wheel and tyre assembly.

Flat Low:

- FRONT: 5.50F x 16 JIS 6 stud disc wheels.
- REAR: 5.00J x 14 JIS 6 stud disc wheels.
- FRONT: 7.00R16LT 8 P.R. Yokohama RY215 tyres.
- REAR: 175 14 LT 8 P.R. Yokohama Y356 tyres.
- Total of 8 wheels and tyres supplied including 2 spares - one front, one rear.

ELECTRICAL SYSTEM

- Batteries: 2 x 12 Volt / 65 Amp-Hour batteries in series for 24 Volt, negative ground system.
- Alternator: Hitachi 24 Volt / 50 Amp brushless type.
- Starting Motor: Hitachi 24 Volt / 4.0 kW reduction geared type.
- Rear brake, turn, reverse and marker lamp assemblies and rear registration plate lamp with additional wiring lengths. Reversing alarm.

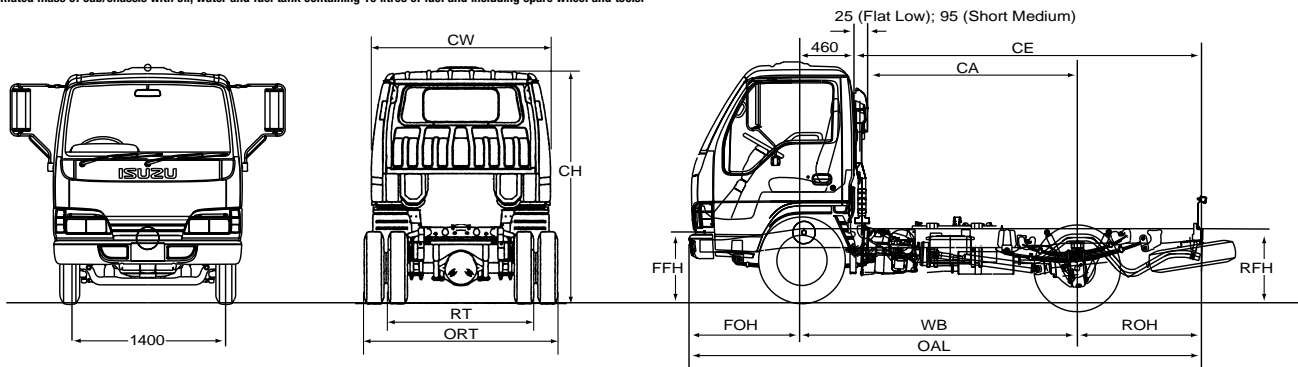
MODEL RATINGS AND DIMENSIONS

TOWING CAPACITY

- Unbraked trailer: 750kg
- Braked trailer:
 - 1,250kg (NKR200 Flat Low)
 - 3,500kg (NKR200 Short/Medium)

MODELS	RATINGS		TARE MASS#			DIMENSIONS (mm)											TURNING CIRCLE KERB TO KERB
	GVM	GCM	TOTAL	FRONT	REAR	WB	OAL	ROH	CA	CE	RT	ORT	CH	CW	FFH LADEN	RFH LADEN	
NKR 200 Short	4,490kg	7,990kg	1,960kg	1,330kg	630kg	2,460	4,610	1,135	1,900	3,135	1,425	1,860	2,140	1,695	650	720	11.0m
NKR 200 Flat Low	4,200kg	5,450kg	1,830kg	1,350kg	480kg	2,490	4,620	1,115	2,005	3,145	1,290	1,675	2,140	1,695	650	690	11.0m
NKR 200 Medium	4,490kg	7,990kg	2,040kg	1,355kg	685kg	3,360	5,830	1,455	2,800	4,355	1,425	1,860	2,140	1,695	650	730	14.2m

Estimated mass of cab/chassis with oil, water and fuel tank containing 10 litres of fuel and including spare wheel and tools.



For further information regarding Cab/Chassis dimensions your Isuzu Dealer can access detailed Body Builders diagrams from the Isuzu Truck Data Manual.