

ISUZU

SPECIFICATIONS

FSS 550 4x4

FSS 550 4x4 Crew



FSS 550 Crew



FSS 550

AUSTRALIA'S TOP SELLING TRUCK BRAND SINCE 1989.

AT A GLANCE

GVM	10,000 kg
GCM	15,000 kg
Power	151 kW @ 2,600 rpm
Torque	637 Nm @ 1,600

ADVANCED TECHNOLOGY

Emissions: Euro V / ADR 80/03	90 amp alternator
Meets EEV emissions standard	Cruise control
Driver airbag with seatbelt pretensioner	Isri 6860 seat with integrated seatbelt
ADR42 compliant sleeper - except crew	Electric mirrors
ECE-R29 compliant cab	



THE
one

ISUZU
RELIABILITY IS EVERYTHING

FSS 4x4 Standard | PTO | Crew | Crew PTO

DRIVELINE AND CHASSIS SPECIFICATIONS

ENGINE SITEC SERIES III 205 (ISUZU 4HK1-TCS)

Type: 4 cylinder 16 valve SOHC

Displacement: 5,193 cc

Compression Ratio: 17.5:1

Bore x Stroke: 115 x 125 mm

Max power (DIN-NET): 151 kW (202 HP) @ 2,600 RPM

(JIS Gross): 157 kW (211 HP) @ 2,600 RPM

Max torque (DIN-NET): 637 Nm (470 lb.ft) @ 1,600 RPM

(JIS Gross): 659 Nm (486 lb.ft) @ 1,600 RPM

Induction system: Electronically controlled variable nozzle turbocharger with air-to-air intercooler.

Fuel injection: Direct injection high pressure common rail system.

Emission control system: Cooled EGR with exhaust Diesel Particulate Dif-fuser (DPD). ADR 80/03 (Euro V) compliant. EEV compliant.

ENGINE DRIVEN PTO (PTO models only):

- Constant mesh. Rotates at 0.7 x engine speed.
- 353 Nm maximum output torque.
- Anti-clockwise rotation when viewed from rear of engine.

CLUTCH

- Air assisted hydraulic control. Single plate 352 mm diameter.
- Total lining area: 1,164 cm²

TRANSMISSION

ISUZU MZW-6P

- 6 speed manual with air assisted shift.
- Synchronesh on gears 2-6. Triple cone synchronesh on 2nd and 3rd gears. Integral oil pump provides full pressure lubrication.
- PTO provision on LHS of transmission case. PTO drive from mainshaft gear.
- Gear ratios (:1)

1st	2nd	3rd	4th	5th	6th	Rev
6.615	4.095	2.358	1.531	1.000	0.722	6.615

Transfer Gearbox: ISUZU TF036

- Part time 4WD.
- High ratio 1.00:1, low ratio 2.091:1

AXLES

Front: Isuzu FD039

- Full floating Banjo type. Birfield outer joints and permanently engaged hubs. 3,900 kg capacity.

- Drive ratio: 6.500:1

Rear: Isuzu R077

- Full floating Banjo type. 'No-spin' differential lock. 7,700 kg capacity.
- Drive ratio: 6.500:1

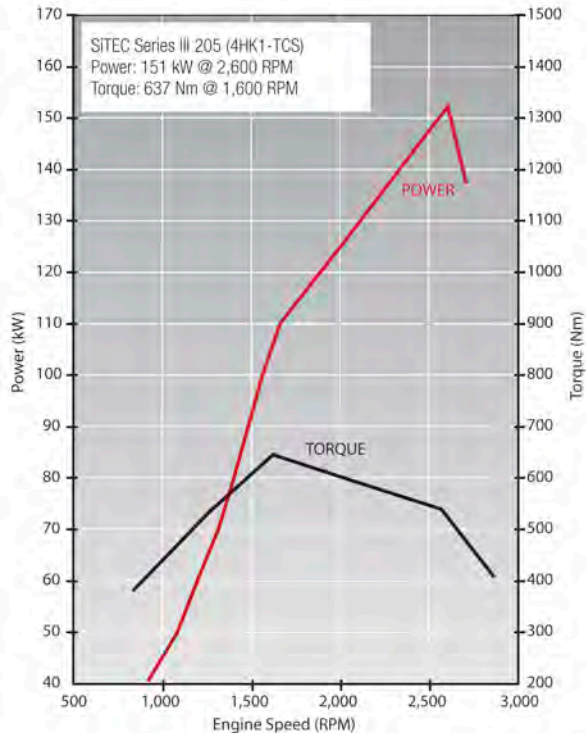
SUSPENSION

Front:

- Single stage alloy steel multi leaf springs.
- Double acting hydraulic shock absorbers.

Rear:

- Multi leaf main spring, multi leaf helper spring.



BRAKES

- Dual circuit air over hydraulic front and rear drum brakes.
- Front drum size: 400 x 115 mm
- Rear drum size: 410 x 115 mm
- Spring park brake.
- Air controlled exhaust brake.
- Air dryer.

STEERING

- Power assisted recirculating ball steering.
- Gear ratio: 16:1 - 18.8:1
- Turns lock to lock: 2.8
- Maximum angle: 36° (inside wheel) / 30° (outside wheel)

WHEELS AND TYRES

- 22.5 x 6.75 eight stud steel wheels.
- 9R22.5 TL 133/131K Michelin XZY Tubeless.
- Maximum tyre rating:
 - Front axle: 4,120 kg
 - Rear axle: 7,800 kg
- Spare wheel and tyre assembly with winch type carrier.

CHASSIS FRAME

- Cold rivetted ladder frame with parallel side rails. SAPH440 weldable steel sidemembers.
- Frame dimensions:
 - Side rail (mm): 229 x 71 x 8.0
 - Rear frame width (mm): 840

FUEL TANK

- Frame mounted 200L steel fuel tank.
- Lockable fuel cap.

ELECTRICAL SYSTEM

- 24 volt electrical system.
- 90 amp alternator.
- 24 Volt, 4.5 kW starter motor.
- **Single cab:** 2 x 115E41L (651 CCA) batteries connected in series.
- **Crew cab:** 2 x 80D26L (630 CCA) batteries connected in series.

CABIN SPECIFICATIONS AND APPOINTMENTS

CAB EXTERIOR

- All steel construction. High tensile steel used for cab underframe.
 - Single cab:** Manual cab tilt to 45° with torsion bar assistance.
 - Crew cab:** Electro-hydraulic cab tilt.
- Complies with ECE-R29 cab strength standard.
- **Single cab:** Liquid filled front and rear cab mounts.
 - Crew cab:** Rubber cab mounts.
- Heavy duty non slip entry steps.
- 90° opening internally reinforced front doors.
- Water spray suppression guards and front mudflaps.
- Laminated windscreen with shade band.
- Two speed windscreen wipers, with intermittent wipe mode.
- Halogen multi-reflector headlamps. Front panel mounted turn signals. Additional door mounted side indicator lamps.
- Combination brake, turn, reverse and marker lamps, registration plate illumination lamps. Extended wiring harness. Reverse alarm.
- Roof-mounted clearance lamps.
- Heated and powered exterior main mirrors with flat glass and additional powered convex "spot" mirrors.
- Body coloured grille.
- Body coloured steel air dam bumper.

CAB INTERIOR

- Isri 6860 air suspension driver's seat with pneumatic lumbar support, height, rake and automatic weight adjustment.
- Front passenger adjustable bucket seat and front centre seat with folding seat back.
- **Crew cab:** Rear bench seat with 4 seat capacity.
- 3-point lap sash seatbelts in all outboard seating positions. Driver seatbelt with pretensioner integrated with driver seat. Centre seat lap belts.
- **Single cab:** ADR42 compliant sleeper.
- Driver airbag.
- Door and roof pillar entry assist grips. **Crew cab:** Full width rear grab rail with ashtray.
- Full interior trim, padded roof lining and vinyl floor covering. Driver and passenger windscreen header storage shelf.
- Tilt/Telescopic adjustable steering column, soft feel urethane steering wheel.
- Electric windows.
- Central locking with remote keyless entry and immobiliser.
- Twin cup holders. 24V cigarette lighter. Dashboard hook.

- Front door mounted storage pockets and driver's side ashtray.
- Centre console box with storage tray. Fold down storage tray behind centre seat backrest.
- Front passenger glovebox.
- Fully integrated air conditioning and heater/demister with 4-speed fan and outlets for windscreen, side windows, face and floor.
- Fluorescent type interior lamp with On/Door/Off switch.
- 2 DIN, two speaker radio/CD multimedia unit with 4.8" LCD touch screen and Bluetooth. Provision for SD card, USB and 3.5 mm plug inputs.
- DIN sized compartment for storage or for CB radio installation.

DRIVER CONTROLS

- Key-operated engine start/stop and steering lock. Engine idle speed control.
- DPD regeneration.
- High/low range and 4WD engage switches.
- **Left side combination stalk:** Windscreen wipers, washers and exhaust brake.
- **Right side combination stalk:** Turn signals, headlamps and cruise control.

INSTRUMENTATION

- Electronically driven speedometer and tachometer. Digital odometer with integrated dual tripmeter. Engine coolant temperature, fuel level and air pressure gauges.
- **Warning lamps:** Check engine, oil pressure, SRS airbag, alternator charge, service brakes, park brake, seatbelt unfastened, low air pressure, low fuel level, cab lock.
- **Indicator lamps:** Warm up system, high beam, DPD status, exhaust brake, low range engaged, 4WD engaged, turn signals, cruise control.
- Multi-information display. Shows service interval, instantaneous and average fuel consumption, DPD bar chart, hourmeter, voltmeter, time/day/date and includes 40-120 km/h adjustable vehicle speed warning.

OPTIONS AND GENUINE ACCESSORIES

Include the following (extra cost, request a brochure and further details from your Isuzu dealer):

- Satellite navigation - integrates with multimedia unit and includes NAVTEQ mapping.
- Up to three audio/visual reversing cameras - integrates with multimedia unit.
- Airbag compatible bullbar.
- Air deflector.



ISUZU
RELIABILITY IS EVERYTHING

WEIGHTS (kg)

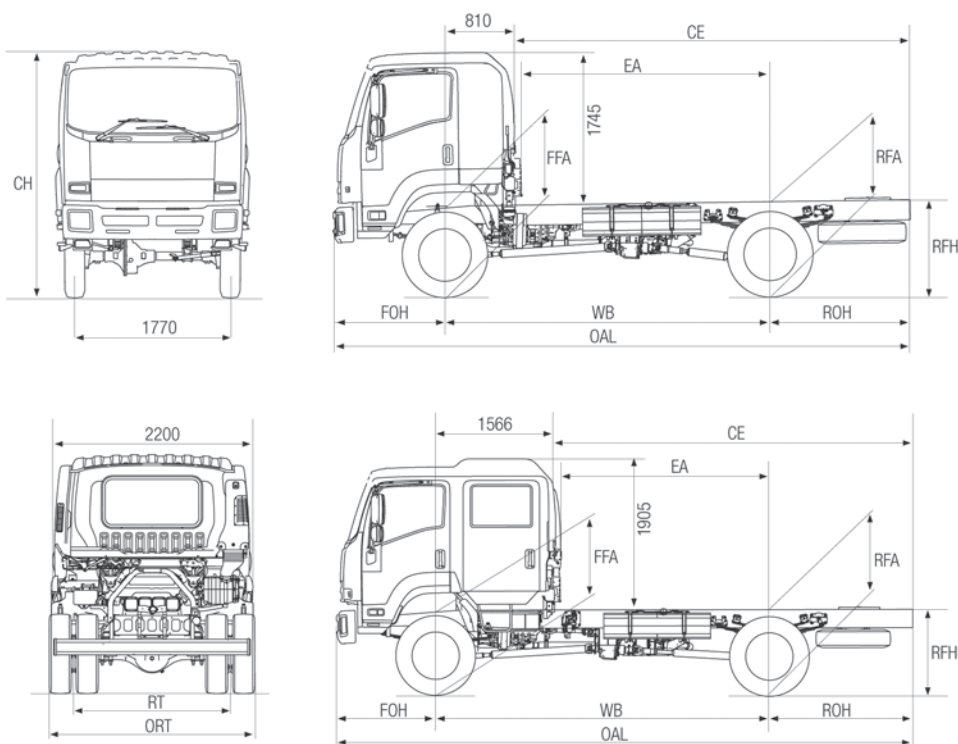
Models	Ratings*		Loading Limit* (at ground)		Cab Chassis Mass #		
	GVM	GCM	Front	Rear	Front	Rear	Total
FSS 550	10,000	15,000	3,900	7,700	2,650	1,480	4,130
FSS 550 PTO	10,000	15,000	3,900	7,700	2,710	1,495	4,205
FSS 550 Crew	10,000	15,000	3,900	7,700	2,850	1,535	4,385
FSS 550 Crew PTO	10,000	15,000	3,900	7,700	2,910	1,550	4,460

* Vehicle ratings and front/rear weight limits are subject to government regulatory requirements and weight distribution analysis. Consult your Isuzu dealer to select the correct vehicle for your specific application. # Cab chassis only as supplied and including 10 litres of fuel.

DIMENSIONS (mm)

Turn Circle (m)

Models	WB	OAL	FOH	ROH	EA	CE	RT	ORT	CH	FFA (unladen)	RFA (unladen)	RFH (unladen)	KERB TO KERB
FSS 550	3,700	6,555	1,255	1,600	2,800	4,490	1,702	2,220	2,770	985	1,110	1,150	14.8
FSS 550 Crew	4,200	7,255	1,255	1,800	2,575	4,498	1,702	2,220	2,880	980	1,110	1,145	16.8



PERFORMANCE (calculated - typical paved road)

	Geared Speed* (top gear at peak power engine RPM)	Low Speed Gradeability (lowest forward gear assuming no wheel slip)	Engine Speed (top gear at 100km/h)
FSS 550 4x4	At 10,000kg GVM 98111 km/h @ 2,600 RPM	> 100%	2,645 RPM

*Maximum speed achievable depends on vehicle frontal area as well as other factors. Consult your Isuzu dealer for more detailed information.

ISUZU WARRANTIES

STANDARD ¹		
New Vehicle	3 years • 150,000km • 2,500 hours	
Cab Perforation Corrosion	3 years • unlimited km's	
EXTENDED ²		
4 years, 250,000km	5 years • 300,000km	6 years • 350,000km
Isuzu Assist - 24 hour roadside assistance (3 years, unlimited km's)*		

ORDER CODES

Model	Code	Model	Code
FSS 550	FH-FSSCD-B11	FSS 550 Crew	FH-FSSGD-D11
FSS 550 PTO	FH-FSSCE-B11	FSS 550 Crew PTO	FH-FSSGE-D11

¹ Subject to the conditions outlined in the IAL New Vehicle Warranty, the Isuzu FSS models carry a standard factory warranty which covers the owner: (i) for the entire vehicle, for the first 36 months or 150,000 km or 2,500 hrs (whichever comes first), (ii) against cab perforation corrosion, for 36 months and unlimited kilometres. ² Extended Warranty as illustrated is available by purchase to cover the owner against the failure of original components, but may exclude some components and expendable items such as oil, filters, etc. Please consult with your Isuzu Dealer for full details obtained from a dedicated brochure available to customers. *Valid for three years from the date of new vehicle purchases.

ISUZU AUSTRALIA LIMITED ABN 97 006 962 572 ("IAL"). The information in this brochure was correct at time of printing, but all measurements, specifications and equipment are subject to change without notice. Some equipment may have been changed and/or is available at extra cost. IAL may make changes at any time without notice, in prices, colours, materials, equipment and models. IAL makes all reasonable attempts to ensure the availability of all vehicles and equipment. The information in this brochure is general in nature. Your Isuzu dealer can confirm all measurements, specifications and vehicle / equipment availability upon request.

TIC: Isuzu is a member of the Truck Industry Council - Safer Greener Essential.

April 2011.ARK0552



ISUZU
RELIABILITY IS EVERYTHING