

# ISUZU JCR420/500 CHASSIS/CAB.

## JCR420/500



**GVM 12,850kg (28,329 lb.) WITH 9.00 x 20 — 12 PLY TYRES**

### ENGINE:

Model: Isuzu 6BDI Diesel engine.  
Type: Four cycle, water cooled, overhead valve, in-line, direct injection.  
No. of cylinders: 6.  
Bore and stroke: 102mm x 118mm (4.02 ins x 4.65 ins.).  
Displacement: 5785 cm<sup>3</sup> (353 CID).  
Max. net horsepower: 110kW (147.5bhp) @ 3,200 rpm (DIN).  
Max. net torque: 380 Nm (280 lbs./ft.) @ 2,000 rpm (DIN).  
Compression ratio: 17.5:1.  
RAC rating: 39.

### AIR CLEANER:

Vertical air intake system.

### AXLE, FRONT:

Capacity: 5,000kg (11023 lbs.).  
Type: Reverse Elliot, I-beam.

### AXLE, REAR:

Single speed.  
Capacity: 9200kg (20282 lbs.).  
Type: Banjo, fully floating single reduction, spiral bevel gear.  
Final gear ratio: (to 1): 6.500 (6/39).

### AXLE, REAR:

Optional 2 speed.  
Capacity: 9200kg (20282 lbs.).  
Type: Fully floating axle shafts.  
Ratio: 6.018/7.631 two-speed control-air shift with electric solenoid actuation.

### BRAKES, SERVICE:

Type: Hydraulic with vacuum assisted, front-two leading, rear-dual two leading type. Exhaust brake.  
Total lining area: 3944 cm<sup>2</sup> (611.3 sq. ins.).

**BRAKES, SERVICE:** With optional 2 speed rear axle.  
Hydraulic with air assisted, front-two leading, rear-dual two leading type. Exhaust brake.

### BRAKE, PARKING:

Type: Mechanical internal expanding at rear of transmission.

### CLUTCH:

Type: Dry single plate with 6 cushioning springs hydraulically operated.  
Total frictional area: 966cm<sup>2</sup> (149.7 sq. ins.).  
Size: Outside diameter 325 mm (12.6 ins.).

### COOLING SYSTEM:

Radiator: Tube and corrugated fin, pressured type.  
Frontal area, radiator: 2959 cm<sup>2</sup> (458.6 sq. ins.).  
Core Thickness: 70mm (2.76 ins.).

### DRIVE LINE:

Type: Tubular shaft, needle bearing universal joint.

### ELECTRIC SYSTEM:

Battery: 2 x 12 volt.  
Capacity: 65 amp./hr. each battery. Negative earth.  
Alternator: 24 volt/400 watt — 24 volt/480 watt with optional two speed rear axle.  
Starter: 24 volt/3.7kW.

### FRAME:

Type: Ladder type channel section.  
Frame width: Front 840mm (33.1 ins.). Rear: 800mm (31.5 ins.).  
Side member dimensions: Depth x Width x Thickness — 225mm (8.865 ins.) x 70mm (2.76 ins.) x 6mm (.2364 ins.).  
Frame reinforcement: Full inner channel plating in area of rear axle.  
Inner upright "L" plating to the rear of the cab.

### ENGINE LUBRICATION:

Pressure feed with full-flow paper element. Oil cooler.  
Capacity: 14.5 litres (26 imp. pts.).

### FUEL SYSTEM:

Injection pump: Reformed Bosch in-line with mechanical governor.  
Fuel tank capacity: 200 litres (44.0 imp. gals.).

### SPRINGS:

Type: Semi-elliptical alloy steel leaf springs.  
Size: Length x width. No. of leaves.  
Front: 1300mm (51.2 ins.) x 70mm (2.76 ins.) — 8.  
Rear: 1420mm (55.95 ins.) x 80mm (3.15 ins.) — 9.  
Rear auxiliary: 1000mm (39.4 ins.) x 80mm (3.15 ins.) — 7.  
Shock absorbers: Hydraulic double acting telescopic at front.

### STEERING:

Type: Recirculating ball with integral power assistance.  
Gear ratio: 20.8:1.

### TRANSMISSION:

**ISUZU MBD5C** — With single speed axle and optional 2 speed rear axle.  
5-speed synchromesh on 2nd, 3rd, 4th, 5th gears. Floor mounted remote control. Power take-off with control cable. Ratios: (to 1).

1st	2nd	3rd	4th	5th	Reverse
6.890	3.918	2.419	1.569	1.000	6.304

### WHEELS AND TYRES:

Dual rear wheels.  
Wheels and rims: 6.50T x 20 rims, offset 152mm.  
8 stud disc wheels. Tyres: 9.00 x 20 — 12 ply.  
Spare wheel and tyre.

### STANDARD EQUIPMENT:

All steel cab (tilt type) with wide windshield. Adjustable driver seat. Two-speed windshield wiper. Windshield washer. Hazard warning flasher. Dual Tone electric horn. Hydraulic jack and wheel wrench. Floor mat. Speedometer with odometer. Meter for fuel, water, temperature. Warning lamp for charging, oil pressure, vacuum and clogged oil filter. Indicator lamp for turn signal, main beam, parking brake. Starter heater control. Laminated windshield glass. Spare tyre carrier. Tachometer. Heater and demister. Radio. General hand tools. Front wheel steps. Seat belts. External Rear view mirrors.

### OPTIONAL EQUIPMENT:

Two speed rear axle which incorporates air assisted hydraulic brakes with instruments for measuring air pressure and an air pressure warning lamp.

### GMH 12/20 WARRANTY:

Every Isuzu is covered by the GMH Warranty which covers your vehicle for the first 12 months or 20,000 kilometres.

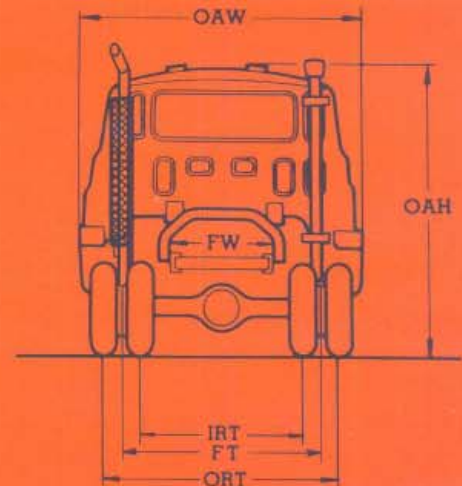
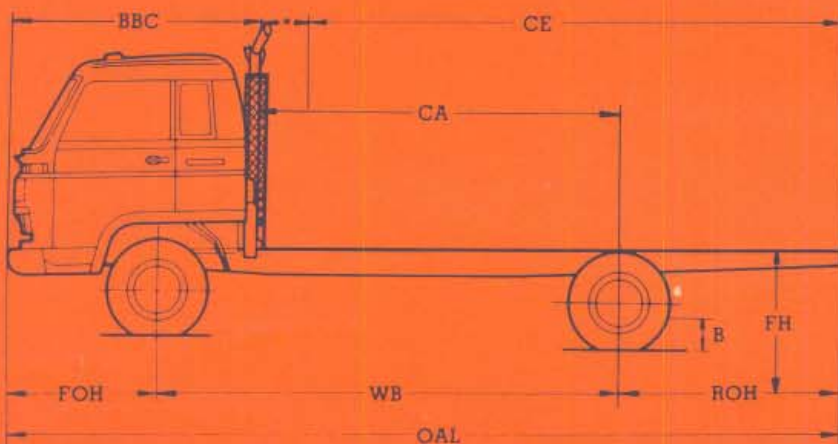
**GMH**  
**GMH**  
**TRUCKPOWER.**  
Chevrolet. Isuzu. Bedford.



# ISUZU JCR420/500 CHASSIS/CAB.

## JCR420/500

### DIMENSIONS/CHASSIS WEIGHTS



#### LENGTHS:

		mm	inches	mm	inches
Wheelbase	WB	4200	(165.5)	5000	(196.9)
Front overhang	FOH	1260	(49.6)	1260	(49.6)
Rear overhang	ROH	1900	(74.9)	2200	(86.6)
Bumper — back of cab	BBC	2010	(79.2)	2010	(79.2)
Cab — axle	CA	3450*	(135.9)	4250*	(166.5)
Cab to end of frame	CE	5350*	(210.8)	6450*	(254.1)
Overall length	OAL	7360	(290.0)	8460	(333.3)

\*CE and CA dimensions are effectively reduced by 300mm (11.8 ins.) with fitment of vertical exhaust pipe and protector.

#### Widths: JCR 420/500

Frame width	FW	800	(31.5)
Front track	FT	1920	(75.6)
Inside rear track	IRT	1450	(57.1)
Outside rear track	ORT	2030	(79.9)
Overall width	OAW	2330	(91.8)

#### HEIGHTS:

Overall height (approx.)	OAH	2,475	(97.5)
Rear axle clearance (approx.)	B	245	(9.6)

metres      feet

#### TURNING CIRCLE:

Kerb to kerb	16.8	(55.2)
--------------	------	--------

PLEASE NOTE: As the policy of General Motors-Holden's is one of continual product improvement, all specifications and equipment are subject to change without notice. Bodies illustrated are not standard.

No GMH dealer or other person is authorised or permitted to give or make any statement assertion or undertaking in relation to the quality performance characteristics descriptions or fitness for any purpose of any GMH product or in connection with the supply of any GMH product, which is at variance with any written statement assertion or undertaking on any of these subjects given or made by General Motors-Holden's Limited or General Motors-Holden's Sales Pty. Ltd. in its published sales literature, and neither company accepts any liability for any such unauthorised action.

General Motors-Holden's Limited and General Motors-Holden's Sales Pty. Ltd. have franchised dealers in many parts of Australia for the sale of service parts and the provision of service to owners of GMH's products. Every endeavour is made to ensure that such dealers carry adequate stocks of service parts, and are equipped to provide satisfactory service, but neither General Motors-Holden's Ltd. nor General Motors-Holden's Sales Pty. Ltd. makes any promise, other than that contained in the New Vehicle Warranty given by General Motors-Holden's Sales Pty. Ltd., that such parts or service facilities will be available, or available at any specific location or any particular time.

#### ESTIMATED KERB WEIGHTS.

**CHASSIS AND CAB:**  
(with oil, water and full fuel tank) in kg. and (lb.).

GVM	GCM	Tyres	Front	Rear	Total
JCR 420	15,000	9.00 x 20-12 ply	2150	1435	3585*
12,850	(33,069)		(4740)	(3163)	(7903)
JCR500	15,000	9.00 x 20-12 ply	2205	1450	3655*
12,850	(33,069)		(4861)	(3197)	(8058)

\*WITH OPTIONAL 2 SPEED REAR AXLE ADD 75 kg (5 kg front 70 kg rear).