

ISUZU TRUCK SPECIFICATIONS

450

4x2 CAB/CHASSIS

MODEL:

FSR 450 Short

FSR 450 Medium

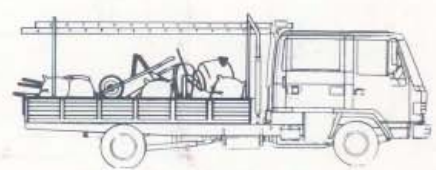
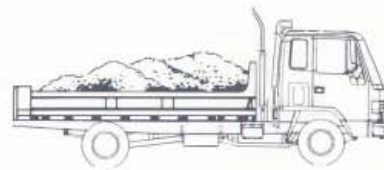
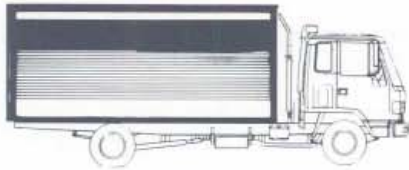
FSR 450 Crew

ORDERING CODE:

8ED02-311

8EF02-311

8EF03-311



MODEL RANGE SUMMARY

	ENGINE			TRANSMISSION		AXLE FRONT		AXLE REAR		WHEELBASE (mm)		BRAKES
	ISUZU 6BD1 5.8l	ISUZU MBG5C 5 speed	ISUZU MBG5A 5 speed	3400kg Capacity	7700kg Capacity	Ratio : 1	3730	4200			Air over Hydraulic	
FSR 450 SHORT	●	●		●	●	4.750	●				●	
FSR 450 MEDIUM	●		●	●	●	4.750		●			●	
FSR 450 CREW	●		●	●	●	4.750		●			●	

RATINGS

	GVM (kg)	GCM (kg)	TYRES	ESTIMATED KERB MASS (kg) *			MAX GEARED SPEED (km/h)
				Front	Rear	Total	
FSR 450 SHORT	*8000	15,000	8.25 - 16 -12 ply OPT 8.25R - 16-14 ply	1860	1000	2860	103
FSR 450 MEDIUM	*8000	15,000	8.25 - 16 -12 ply OPT 8.25R - 16-14 ply	1890	1030	2920	103
FSR 450 CREW	9000	15,000	8.25R - 16 -14 ply	2090	1150	3240	104

• Chassis and cab with oil, water and fuel tank containing 10 litres of fuel.

* 9000kg GVM with optional radial ply tyres



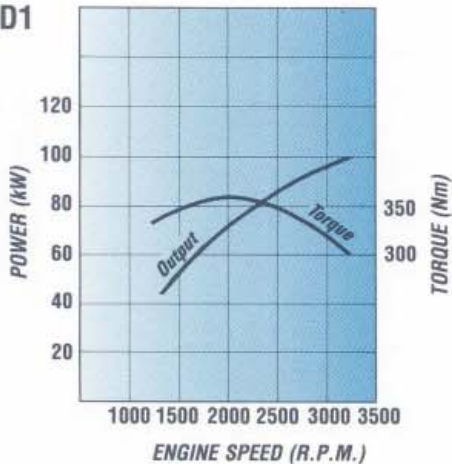
MECHANICAL Cab/Chassis Components

		FSR 450 SHORT	FSR 450 MED.	FSR 450 CREW
AXLE FRONT	Type: Reverse Elliot I-beam	●	●	●
	Capacity: 3400 kg	●	●	●
AXLE REAR	Type: Banjo, fully floating	●	●	●
	Capacity: 7700kg	●	●	●
	Final gear: 343mm diameter Hypoid	●	●	●
	Ratio: 4.750:1	●	●	●
BRAKE, AUXILIARY BRAKE, PARKING	Exhaust brake	●	●	●
	Type: Mechanical expanding at rear of transmission	●	●	
BRAKES, SERVICE	Type: Spring park brake acting on rear wheels			●
	Type: Air over hydraulic, dual circuit, front two leading, rear dual two leading	●	●	●
	Total lining area: 3082cm ²	●	●	●
	Brake drum diam: 320mm	●	●	●
CABIN	EXTERIOR			
	<ul style="list-style-type: none"> ■ All steel tilt cab ■ Manual tilt - 45° ■ Laminated windshield ■ 2 speed wiper with intermittent function and washer ■ West Coast type rear view mirrors with width lamps (except crew cab) ■ Dual Square Halogen headlamps ■ Fog lamps ■ Vertical air intake stack ■ Tool kit with 7000kg capacity jack ■ Spare wheel and tyre 	●	●	●
	<ul style="list-style-type: none"> ■ Power cab tilt 			●
	INTERIOR			
	<ul style="list-style-type: none"> ■ AM Radio ■ Heater/Demister with 4 speed fan ■ Driver and passenger sunvisors ■ Side vent windows 	●	●	●
	<ul style="list-style-type: none"> ■ Fully trimmed cab interior including cloth seat facings 	●		
	<ul style="list-style-type: none"> ■ Vinyl trim in lieu of cloth 		●	●
	<ul style="list-style-type: none"> ■ Isri 5000 driver's seat with mechanical suspension, adjustments for seat back recline, seat slide and height control. Outboard seats have lap/sash seat belts with emergency locking retractor. Centre seat with lap seat belt 	●		
	<ul style="list-style-type: none"> ■ Air suspension driver's seat in lieu of mechanical type and lap belts 		●	●
	<ul style="list-style-type: none"> ■ Overhead shelf 	●		●
	<ul style="list-style-type: none"> ■ Rear - Four seater bench seat 			●
	INSTRUMENTATION			
	<ul style="list-style-type: none"> Speedometer with odometer ■ Tachometer ■ Gauges - water temperature, fuel level and brake air pressure 	●	●	●
	INDICATOR LAMPS			
	<ul style="list-style-type: none"> Turn signals, parking brake on, high beam on, exhaust brake on, brake fluid 	●	●	●
	WARNING LAMPS			
	<ul style="list-style-type: none"> Battery charge, oil filter, water separator, oil pressure, low air pressure, stop and tail light failure (except 450 medium), brake system, air cleaner. Warning bulb checking switch 	●	●	●
	SWITCHES			
	<ul style="list-style-type: none"> Left side combination switch for exhaust brake, wipers and washer. Hazard lamp switch. Fog lamp switch. Right combination switch for headlamps, turn signals and headlamp dip. Key operation for engine start and stop 	●	●	●
	CLUTCH	Type: Hydraulic control. Dry single plate with cushioning springs	●	●
Size: 325mm diam.		●	●	●
ELECTRICAL SYSTEM	Batteries: 2 x 12V 53 A/H ■ Alternator: 24V - 40A ■ Starter: 24V - 4.5kW	●	●	●

		FSR 450 SHORT	FSR 450 MED.	FSR 450 CREW		
ENGINE	ISUZU 6BD1 Type: 6 Cylinder OHV diesel ■ Bore x Stroke (mm) 102 x 118 ■ Displacement 5785 (cc) ■ Compression ratios (:1) 17.0 ■ Output-Power (kW) 100 @ 3200 rpm (DIN Nett) ■ Torque (Nm) 353 @ 2000 rpm (DIN Nett)	●	●	●		
	LUBRICATION Pressure feed with full flow paper element filter, oil cooler ■ Capacity: 12.5 litres, including filter	●	●	●		
	COOLING Fan type: 6 blade plastic, Size: 475mm diam. ■ Radiator type: Tube and corrugated fin ■ Size: 662h x 559w x 53t (mm). Frontal area: 0.348m ²	●	●	●		
	AIR CLEANER 2 stage paper element, Donaldson 11" type. High vertical air intake stack 2 stage paper element, Donaldson 9" type. High vertical air intake stack	●	●	●		
	EXHAUST SYSTEM Vertical exhaust stack	●	●	●		
	FUEL SYSTEM Injection pump: In line plunger Bosch 'A' type with mechanical all speed governor Fuel tank capacity: 160 litres 200 litres	●	●	●		
	FRAME	Type: Ladder type channel section ■ Side member dimensions: 225 x 70 x 6mm ■ Frame reinforcement 189 x 4.5mm at cab back Frame material: High tensile steel HT 55, weldable	●	●	●	
		STEERING	Type: Power assisted recirculating ball ■ Gear ratio: 22.4:1	●	●	●
	SUSPENSION		FRONT Type: Semi-elliptical, alloy steel leaf springs. Total capacity: 5100kg Size: l x w x t (mm): 1200 x 70 x 10 x 8 leaves. Shock absorbers: Hydraulic, double acting, telescopic	●	●	●
		REAR Type: Semi-elliptical, alloy steel leaf springs. Total capacity: 11,020kg Size: l x w x t (mm) Main: 1300 x 70 x 11 x 8 leaves Auxiliary: 850 x 70 x 10 x 7 leaves	●	●	●	
		TRANSMISSIONS	Type: 5 speed direct drive Model: Isuzu MBG5C Gear Ratios: 1st 2nd 3rd 4th 5th Rev 6.890 3.918 2.419 1.569 1.000 6.304	●		
			Type: 5 speed direct drive Model: Isuzu MBG5A Gear Ratios: 1st 2nd 3rd 4th 5th Rev 6.378 3.627 2.239 1.452 1.000 5.835		●	●
		TYRES	Tyre size: 8.25 - 16LT - 12 ply (Dunlop Highway 30)	F/R	F/R	
8.25R - 16LT - 14 ply (Yokohama Y785)			OPT F/R	OPT F/R	F/R	
WHEELS	Wheel type and size: 6.00 GS x 16, 6 Stud Disc	●	●	●		

ENGINE PERFORMANCE

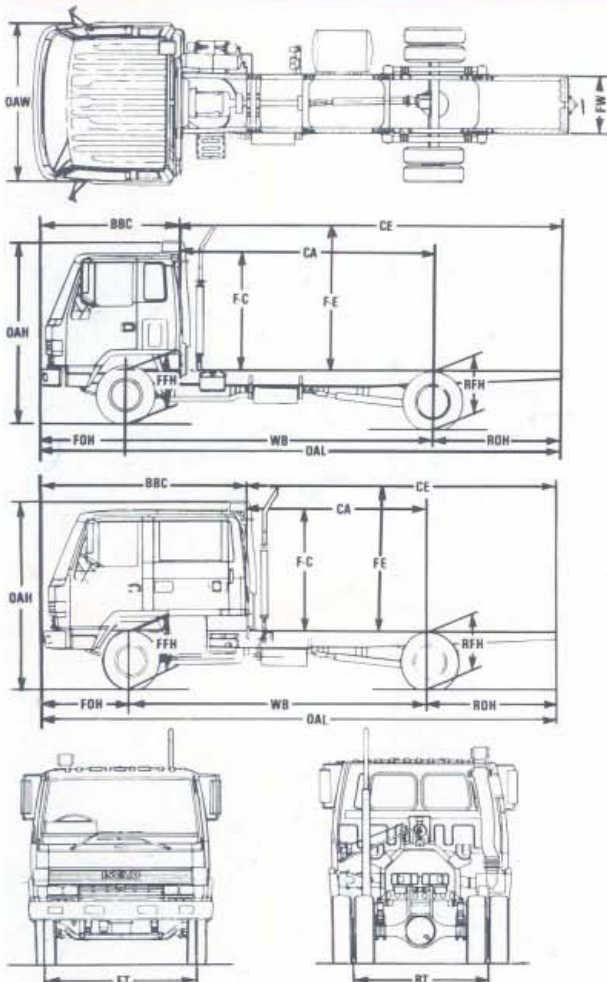
6BD1



ISUZU 6BD1

Type: 6 Cylinder OHV diesel ■ Bore x Stroke (mm) 102 x 118
 ■ Displacement 5785 (cc) ■ Compression ratio (:1) 17.0 ■ Output-Power (kW)
 100 @ 3200 rpm (DIN Nett) ■ Torque (Nm) 353 @ 2000 rpm (DIN Nett)

DIMENSIONS



FSR 450 SHORT
 FSR 450 MED.
 FSR 450 CREW

OAL (Overall length)	6530	7180	7180
WB (Wheelbase)	3730	4200	4200
CA (Cab to axle)*	2995	3465	2710
CE (Cab to end of frame)*	4600	5250	4495
ROH (Rear overhang)	1605	1785	1785
FOH (Front overhang)	1195	1195	1195
BBC (Bumper to back of cab)	1930	1930	2685
OAW (Overall width)	2190	2190	2190
FT (Front track)	1780	1780	1780
RT (Rear track)	1610	1610	1610
FW (Frame width)	800	800	800
FFH (Front frame height)	770	770	770
RFH (Rear frame height)	860	860	860
FC (Frame to top of cab)	1610	1610	1610
FE (Frame to top of exhaust)	2340	2340	2340
OAH (Overall height to top of air intake duct)	2570	2570	2570
TURNING CIRCLE (m) Kerb to kerb	12.2	13.6	13.6

*CA and CE dimensions are effectively reduced by 245mm with fitment of vertical exhaust pipe.

ISUZU-GENERAL MOTORS AUSTRALIA LTD. 12/50 WARRANTY.
 Every Isuzu F Series is covered by the I-GM New Vehicle Warranty which covers your vehicle for the first 12 months or 50,000 kilometres.

PLEASE NOTE: As the policy of Isuzu-General Motors Australia Ltd. is one of continual product improvement, all specifications and equipment are subject to change without notice. Bodies illustrated are not standard. No I-GM Dealer or other person is authorised or permitted to give or make any statement, assertion or undertaking in relation to the quality performance characteristics descriptions or fitness for any purpose of any I-GM product or in connection with the supply of any I-GM product which is at variance with any written statement assertion or undertaking on any of these subjects given or made by Isuzu-General Motors Australia Ltd. in its published sales literature, and the company accepts no liability for any such unauthorised action. Isuzu-General Motors Australia Ltd. have franchised dealers in many parts of Australia for the sale of service parts and the provision of service to owners of I-GM products. Every endeavour is made to ensure that such dealers carry adequate stocks of service parts, and are equipped to provide satisfactory service, but makes no promise, other than that contained in the New Vehicle Warranty given by Isuzu-General Motors Australia Ltd. that such parts or service facilities will be available, or available at any specific location or any particular time.

