

# ISUZU

## SPECIFICATIONS

### FX2 240-350 6X4

### FX4 240-350 6X4

Now with  
Sat Nav fitted  
as standard\*



FXZ

\* Satellite Navigation functions and maps provided at no extra cost, with up to four quarterly updates provided by user free download for the first three years of ownership, after which updates can be purchased at additional cost.

AUSTRALIA'S TOP SELLING TRUCK BRAND SINCE 1989.

#### AT A GLANCE

GVM	24,000 kg
GCM	45,000 kg
Power	257 kW @ 2,000 rpm
Torque	1,422 Nm @ 1,400 rpm

#### ADVANCED TECHNOLOGY

Emissions: Euro V / ADR 80/03	Cross locks
Driver airbag with seatbelt pretensioner	Electro-hydraulic cab tilt
ADR 42 compliant sleeper with mattress	Coil spring cab suspension
ECE-R29 compliant cab	Front stabiliser bar
ECE-R93 compliant Front Underun Protection Device (FUPD)	Cruise control
Anti-lock Braking System (ABS)	Isri 6860 seat with integrated seatbelt



# ISUZU TRUCKS

# FX2 240-350 6X4

# FX4 240-350 6X4

## DRIVELINE AND CHASSIS SPECIFICATIONS

### ENGINE: ISUZU 6UZ1-TCN

**Type:** 6 cylinder 24 valve SOHC  
**Displacement:** 9,839 cc  
**Compression Ratio:** 17.5:1  
**Bore x Stroke:** 120 mm x 145 mm  
**Max power (DIN-NET):** 257 kW (345 HP) @ 2,000 RPM  
**(JIS Gross):** 265 kW (355 HP) @ 2,000 RPM  
**Max torque (DIN-NET):** 1,422 Nm (1,049 lb.ft) @ 1,400 RPM  
**(JIS Gross):** 1,472 Nm (1,086 lb.ft) @ 1,400 RPM  
**Induction system:** Electronically controlled variable nozzle turbocharger with air-to-air intercooler.

**Fuel injection:** Direct injection high pressure common rail system.  
**Emission control system:** Cooled EGR with exhaust Diesel Oxidation Catalyst (DOC). ADR 80/03 (Euro V) compliant.

### ENGINE DRIVEN PTO (PTO models only):

- Constant mesh. Rotates at 1.1 x engine speed.
- 440 Nm maximum output torque.
- Anti-clockwise rotation when viewed from rear of engine.

### CLUTCH (MANUAL TRANSMISSION MODEL)

- Air assisted hydraulic control. Single plate 432 mm diameter.
- Total lining area: 1,923 cm<sup>2</sup>

### TRANSMISSION

#### Eaton RTO 11908LL (MWB manual model)

- 10 speed constant mesh.
- Gear ratios (:1)

LL	L	1st	2nd	3rd	4th	5th
14.56	9.42	6.24	4.63	3.40	2.53	1.83
6th	7th	8th	RLL	RL	RH	
1.36	1.00	0.74	15.22	9.85	2.89	

#### ZF 9 S 1310 TO (LWB manual model)

- 9 speed with synchromesh on gears 1-8. Repeat 'H' shift pattern.
- PTO provision at rear of transmission case.
- Gear ratios (:1) Crawler: 9.48

1st	2nd	3rd	4th	5th	6th	7th	8th	RV
6.58	4.68	3.48	2.62	1.89	1.35	1.00	0.75	8.97

#### ALLISON 4430 series (auto model)

- 6 speed automatic. 5th generation electronic controls with adaptive shift.
- Allison long life TranSynd synthetic fluid.
- LHS and top PTO openings on transmission bellhousing. Engine driven PTO drive gear.
- Gear ratios (:1)

1st	2nd	3rd	4th	5th	6th	Rev
4.70	2.21	1.53	1.00	0.76	0.67	5.55

### AXLES

#### Front: MERITOR

- FG941 reverse Elliot I-beam. 6,600 kg capacity.

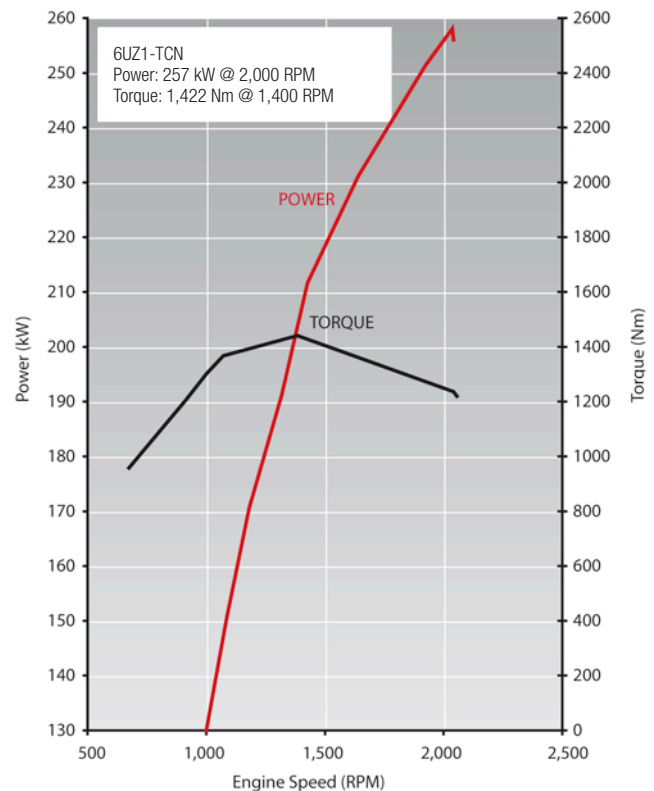
#### Rear: MERITOR

- MT-14X tandem axle set, 18,100kg capacity.
- Driver controlled inter-axle lock and cross locks on both axles.
- Drive ratio: 4.875:1 (except FXZ/FXY AUTO MWB models), 5.286:1 (FXZ/FXY AUTO MWB models)

### SUSPENSION

#### Front:

- Single stage alloy steel taper-leaf springs.
- Double acting hydraulic shock absorbers. Stabiliser bar.



#### Rear: (FXZ 240-350)

- Taper leaf springs with Isuzu 6 rod and trunion location system.

#### Rear: (FXY 240-350)

- Hendrickson HAS461 airbag. 20,865 kg capacity at ground.
- Outboard mounted double acting shock absorbers.

### BRAKES

- Meritor 'Q-Plus' dual circuit full air 'S-cam' front and rear drum brakes with auto slack adjusters.
- ABS.
- Front drum size: 419 x 127 mm
- Rear drum size: 419 x 178 mm
- Spring park brake acting on all rear wheels.
- Air controlled exhaust brake.
- Air dryer.

### STEERING

- Power assisted recirculating ball steering.
- Overall gear ratio: 18.5:1
- Turns lock to lock: 3.7
- Maximum angle: 40° (inside wheel) / 32° (outside wheel)

### WHEELS AND TYRES

- 22.5 x 8.25 ten stud ISO standard steel wheels.
- **Steer axle:** 295/80R22.5 152/148M Michelin X Multi Z Tubeless.
- **Drive axles:** 11R22.5 148/145L Michelin X Multi D Tubeless.
- Maximum tyre rating:
  - Steer axle: 7,100 kg
  - Tandem drive axle set: 23,200 kg
- Spare wheel rim supplied. Winch type carrier (except FXZ MWB.)

## CHASSIS FRAME

- Cold rivetted ladder frame. HT540A high tensile weldable steel sidemembers.
- Frame dimensions:
  - Side rail (mm): 285 x 85 x 7.0
  - Rear frame width (mm): 850

## FUEL TANK

- Frame mounted 400L aluminium fuel tank.
- Lockable fuel cap.

## CABIN SPECIFICATIONS AND APPOINTMENTS

### CAB EXTERIOR

- All steel construction with electro-hydraulic cab tilt. High tensile steel used for cab underframe.
- Complies with ECE-R29 cab strength standard.
- Full floating cab with coil spring suspension and hydraulic shock absorbers.
- Heavy duty non slip entry steps.
- 90° opening internally reinforced front doors.
- Water spray suppression guards and front mudflaps.
- Laminated windscreen with shade band.
- Two speed windscreen wipers with intermittent wipe mode.
- Halogen multi-reflector headlamps incorporating turn signals and front foglamps. Additional door mounted side indicator lamps.
- Combination brake, turn, reverse and marker lamps, registration plate illumination lamps. Extended wiring harness. Reverse alarm.
- Roof-mounted clearance lamps.
- Heated and powered exterior main mirrors with flat glass and additional powered convex "spot" mirrors.
- Chrome grille.
- Body coloured steel air dam bumper.
- FUPD underbar - complies with ECE-R93.

### CAB INTERIOR

- Isri 6860 air suspension driver's seat with pneumatic lumbar support, height, rake and automatic weight adjustment.
- Front passenger adjustable bucket seat and front centre seat with folding seat back.
- 3-point lap sash seatbelts in all outboard seating positions. Driver seatbelt with pretensioner integrated with driver seat. Centre seat lap belts.
- ADR 42 compliant sleeper with mattress.
- Driver airbag.
- Door and roof pillar entry assist grips.
- Full interior trim, padded roof lining and vinyl floor covering. Overhead front storage compartments.
- Tilt/Telescopic adjustable steering column, soft feel urethane steering wheel.
- Electric windows.
- Central locking with remote keyless entry.
- Twin cup holders. 24V cigarette lighter. Dashboard hook.
- Front door mounted storage pockets and driver's side ashtray.
- Centre console box with storage tray.
- Front passenger glovebox.
- Fully integrated auto control air conditioning and heater/demister with 4-speed fan and outlets for windscreen, side windows, face and floor.
- Fluorescent type interior lamp with On/Door/Off switch.
- 2 DIN, two speaker multimedia unit with 6.2" LCD capacitive touch screen. 1.6GHz processor with Android operating system. DAB+ digital radio and fully integrated Bluetooth with voice recognition. Inbuilt PDF, photo and movie viewer. Internet radio accessible via smartphone. 32GB internal file storage. USB and auxilliary input connection provisions. Firmware and map updates possible via smartphone.
- DIN sized compartment for storage or for CB radio installation.

## ELECTRICAL SYSTEM

- 24 volt electrical system
- 90 amp alternator
- 24 volt, 5.0 kW starter motor
- 2 x 115E41L (651 CCA) batteries connected in series

### ISUZU SATELLITE NAVIGATION

Integrated with radio/CD multimedia unit. Displayed information includes:

- Points of interest and Isuzu truck dealer locations
- Road safety alerts
- Speed limits and traffic signals
- Route selection based on entered information such as vehicle weight and dimensions

### DRIVER CONTROLS

- Key-operated engine start/stop and steering lock. Engine idle speed control.
- Interaxle lock and cross lock engage switches.
- Pushbutton gear selection control (auto model).
- **Left side combination stalk:** Windscreen wipers, washers and exhaust brake.
- **Right side combination stalk:** Turn signals, headlamps and cruise control.

### INSTRUMENTATION

- Electronically driven speedometer and tachometer. Digital odometer with integrated dual tripmeter. Engine coolant temperature, fuel level and air pressure gauges.
- **Warning lamps:** Check engine, oil pressure, ABS, SRS airbag, alternator charge, service brakes, park brake, seatbelt unfastened, low air pressure, low fuel level, cab lock.
- **Indicator lamps:** Warm up system, high beam, exhaust brake, turn signals, inter-axle lock, cruise control.
- Transmission oil level, oil life, filter life, and condition monitor display (auto model).
- Multi information display. Shows service interval, vehicle systems status, instantaneous and average fuel consumption, hourmeter, voltmeter, time/day/date and includes 40-120km/h adjustable vehicle speed warning

### GENUINE ACCESSORIES

Include the following (extra cost, request a brochure and further details from your Isuzu dealer):

#### Multimedia unit:

- Supports up to five camera inputs. One digital camera with infra red and rear microphone input active when reversing. Four analogue cameras.
- Reversing sensors
- Tyre pressure monitoring system

#### Other:

- Airbag compatible bullbar.
- Air deflector.

## ISUZU CARE

Isuzu Care gives truck owners access to products and services including Roadside Assist, Service Agreements, Extended Care, Extended Isuzu Assist and the Isuzu Care Centre. Call 1800 035 640.

### WEIGHTS (kg)

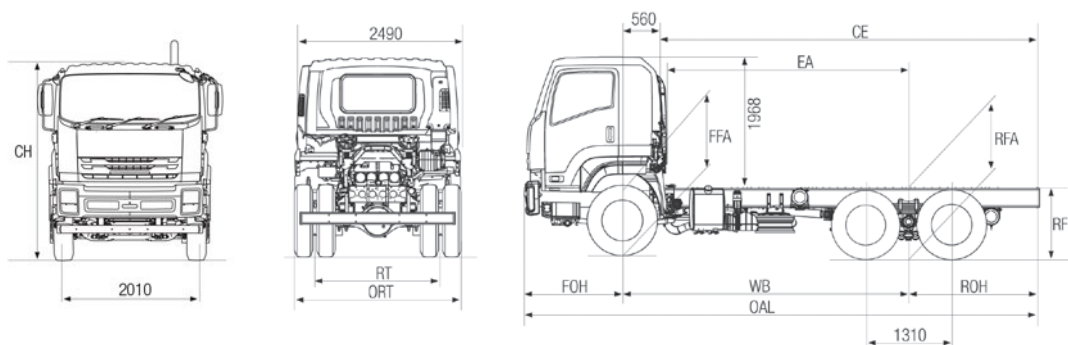
Models	Ratings*		Loading Limit* (at ground)		Cab Chassis Weight #		
	GVM	GCM	Front	Rear	Front	Rear	Total
FXZ 240-350 MWB	24,000	45,000	6,600	18,100	4,035	3,305	7,340
FXZ 240-350 PTO MWB	24,000	45,000	6,600	18,100	4,135	3,315	7,450
FXZ 240-350 AUTO MWB	24,000	45,000	6,600	18,100	4,090	3,305	7,395
FXZ 240-350 LWB	24,000	45,000	6,600	18,100	3,945	3,540	7,485
FXZ 240-350 AUTO LWB	24,000	45,000	6,600	18,100	4,130	3,575	7,705
FXZ 240-350 MWB	24,000	45,000	6,600	18,100	3,990	3,095	7,085
FXZ 240-350 AUTO MWB	24,000	45,000	6,600	18,100	4,045	3,095	7,140
FXZ 240-350 LWB	24,000	45,000	6,600	18,100	3,925	3,320	7,245
FXZ 240-350 AUTO LWB	24,000	45,000	6,600	18,100	4,105	3,350	7,455

\*\*Vehicle ratings and front/rear weight limits are subject to government regulatory requirements and weight distribution analysis. Consult your Isuzu dealer to select the correct vehicle for your specific application.

# Cab chassis only as supplied and including 10 litres of fuel.

### DIMENSIONS (mm)

Models	WB	OAL	FOH	ROH	EA	CE	RT	ORT	CH	Turn Circle (m)			
										FFA (unladen)	RFA (unladen)	RFH (unladen)	KERB TO KERB
FXZ 240-350 MWB / PTO MWB / AUTO MWB	4,330	7,790	1,480	1,980	3,650	5,750	1,840	2,445	3,020	920	1,095	1,140	16.3
FXZ 240-350 LWB / AUTO LWB	6,010	10,990	1,480	3,500	5,330	8,950	1,840	2,445	2,990	920	1,100	1,140	22.7
FXZ 240-350 MWB / AUTO MWB	4,330	7,790	1,480	1,980	3,650	5,750	1,840	2,445	2,990	920	1,050	1,070	16.3
FXZ 240-350 LWB / AUTO LWB	6,010	10,990	1,480	3,500	5,330	8,950	1,840	2,445	2,990	920	1,040	1,065	22.7



### PERFORMANCE (calculated - typical paved road)

Models	GVM	Geared Speed* (top gear at peak power engine RPM)	Low Speed Gradeability (lowest forward gear assuming no wheel slip)	Engine Speed (top gear at 100km/h)
FXZ 240-350 MWB	At 24,000 kg GVM	107 km/h @ 2,000 RPM	74%	1,865 RPM
FXZ/FXZ 240-350 LWB	At 24,000 kg GVM	106 km/h @ 2,000 RPM	48%	1,890 RPM
FXZ/FXZ 240-350 AUTO MWB	At 24,000 kg GVM	109 km/h @ 2,000 RPM	60%	1,830 RPM
FXZ/FXZ 240-350 AUTO LWB	At 24,000 kg GVM	119 km/h @ 2,000 RPM	55%	1,690 RPM

\* Maximum speed achievable depends on vehicle frontal area as well as other factors. Consult your Isuzu dealer for more detailed information. Vehicle is speed limited to 100 km/h.

### ISUZU WARRANTIES

STANDARD <sup>1</sup>	
New Vehicle	3 years • 250,000km • 4,000 hours
Cab Perforation Corrosion	3 years • unlimited km
Isuzu Assist: 24 hour roadside assistance (3 years, unlimited km)*	
EXTENDED CARE <sup>2</sup>	
Extended Warranty: 5 years • 400,000km • 6,000 hours	
Isuzu Assist: 24 hour roadside assistance (5 years, unlimited km)	

### ORDER CODES

Model	Code	Model	Code
FXZ 240-350 MWB	FH-FXZJJ-B18 (LM811)	FXZ 240-350 MWB	FH-FXYJK-B18 (LM811)
FXZ 240-350 PTO MWB	FH-FXZJK-B18 (LM811)	FXZ 240-350 AUTO MWB	FH-FXYJJ-L18 (LM811)
FXZ 240-350 AUTO MWB	FH-FXZJJ-L18 (LM811)	FXZ 240-350 LWB	FH-FXYJJ-D18 (LM811)
FXZ 240-350 LWB	FH-FXZJJ-D18 (LM811)	FXZ 240-350 AUTO LWB	FH-FXYJJ-N18 (LM811)
FXZ 240-350 AUTO LWB	FH-FXZJJ-N18 (LM811)		

<sup>1</sup> Subject to the conditions outlined in the IAL New Vehicle Warranty, the Isuzu FXZ models carry a standard factory warranty which covers the owner: (i) for the entire vehicle, for the first 36 months or 250,000 km or 4,000 hrs (whichever comes first), (ii) against cab perforation corrosion, for 36 months and unlimited kilometres. <sup>2</sup> Extended Warranty as illustrated may be purchased to cover the owner against the failure of original components, but may exclude some components and expendable items such as oil, filters, etc. \*Valid for three years from the date of new vehicle purchases. All Isuzu warranties are subject to mandatory prescribed terms under Australian Consumer Law including customer guarantees. For more details visit the Isuzu website which explains Isuzu warranties in more detail, or alternatively contact your local dealer. All warranties commence from date of delivery.

ISUZU AUSTRALIA LIMITED ABN 97 006 962 572 ("IAL"). The information in this spec sheet was correct at time of printing, but all measurements, specifications and equipment are subject to change without notice. Some equipment may have been changed and/or is available at extra cost. IAL may make changes at any time without notice, in prices, colours, materials, equipment and models. IAL makes all reasonable attempts to ensure the availability of all vehicles and equipment. The information in this spec sheet is general in nature. Your Isuzu dealer can confirm all measurements, specifications and vehicle / equipment availability upon request. To the extent permitted by the law, IAL is not liable to any person as result of reliance on the content of this spec sheet.